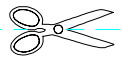


# Installation Template - Right Handle



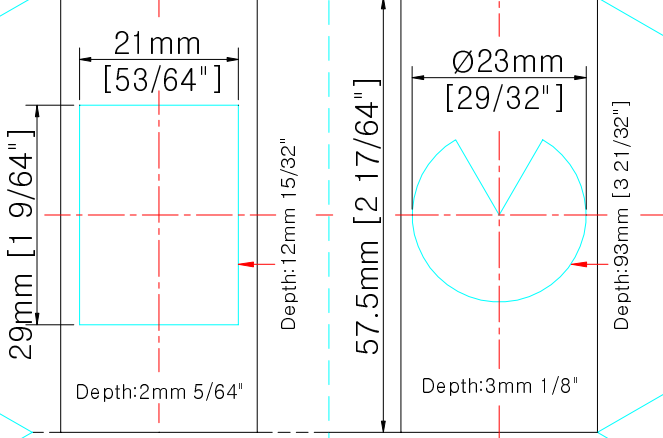
Align this line to the  
Door side centerline



Door side  
centerline



Folding line for 70mm backset



Door Frame Hole

Mortise Hole

Folding line for 60mm backset

Ø10mm [25/64"]



Ø20mm [25/32"]

Handle centerline

Ø54mm [2 1/8"]

42.5mm [1 43/64"]

72.5mm [2 55/64"]

