



## 12Volt 50Amp Low Voltage Disconnect (LVD) battery over-discharge protector

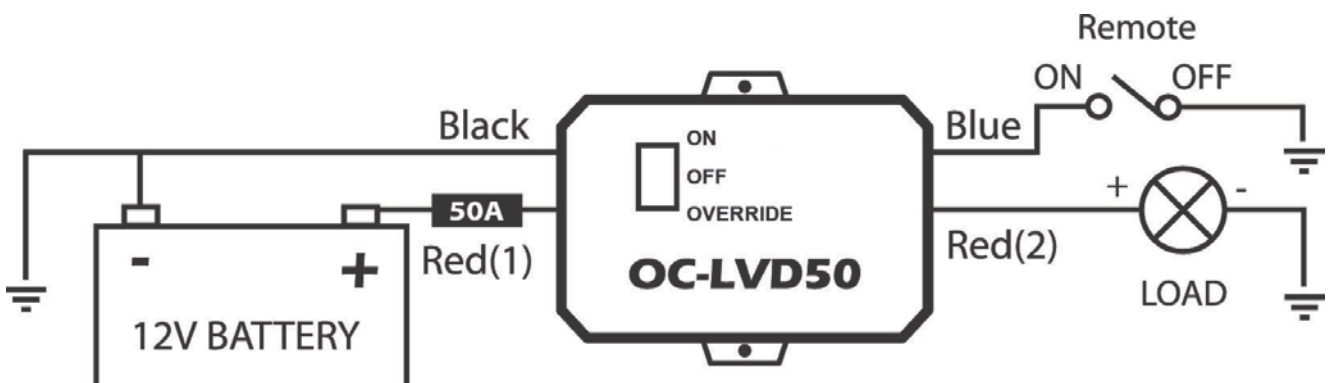
**Model: OC-LVD50**

Important safety information, installation instructions and user's manual.

### ----- WARNINGS -----

- Read instructions prior to use. These instructions form part of the warranty conditions.
- Installation by competent and qualified persons only.
- Do not attempt to use this device if it has become wet or if the cables have been damaged.
- Do not disassemble. Take it to a qualified person if a repair is required. (No serviceable parts inside)
- Suitable for 12Volt DC systems only.
- Install a fuse (maximum 50Amps) as close as possible to the battery Positive.
- The main power cables must be 6.0mm<sup>2</sup> (10AWG) minimum and limited in length.
- The black earth/ground and blue remote wires must be 0.82mm<sup>2</sup> (18AWG) minimum.

### WIRING DIAGRAM



# WIRING & OPERATION

**Black** – Ground (GND) / Battery Negative

**Red (1)** – Battery 12V (+) / Battery Positive (Must be fused)

**Red (2)** – Load 12V (+)

**Blue** – Optional Remote ON/OFF. Insulate if not being used. GND (-) Input only or Warranty Void.

**Note:** Applying GND (-) to the Blue remote input wire will turn the device ON. This allows you to remotely turn ON the device (loads) when the main unit power switch is OFF.

(Optional switch for Remote ON/OFF feature not included)

**ON** – For normal operation, the switch must be in the ON position. Once the Battery voltage drops below 10.2V, the device will Cut-Out (Turn off your loads) to ensure your battery is protected from over discharging. Once Cut-Out, you'll need to recharge your battery and once the Voltage reaches 12.0V the device will automatically turn back on and reconnect your loads.

**OFF** – This will turn OFF the Low Voltage Disconnect and all your loads within your vehicle. You can switch the device OFF when storing your vehicle for long periods of time to prevent standby current from devices draining your battery.

**OVERRIDE** – This will by bypass the low voltage disconnect. If you leave the switch constantly in this override position then you risk over discharging and damaging your battery. We only recommend using this override for emergency situations.

# SPECIFICATIONS

	Value	Tolerance	Unit
For over-discharge protection of battery systems	12		Vdc
Standby input current (output relay ON)	150		mAdc
Maximum output load current	50		Adc
Battery cut-in voltage	12.0	+/- 0.2	Vdc
Battery cut-off voltage	10.2	+/- 0.2	Vdc
Battery cut-off time delay	10	1	Sec
LED indicator on (output relay ON)	GREEN		
LED indicator cut-off (output relay OFF)	RED		
Operating temperature	0-50		Deg C
Housing material	ABS		n/a
Net weight	0.3		kg
Housing dimension	L124 x W117 x H44		mm
The distance between the two wall mounting holes	103		mm

*\* Specifications subject to change without notice*

## 2 YEAR MANUFACTURER WARRANTY

Zylux Distribution Pty Ltd. (Oz Charge) warrants to the customer that this product is substantially free from defects in materials and workmanship under normal use for a period of 2 Years from the Date of Purchase.

Please ensure you keep a copy of your receipt on file as this will be required for proof of purchase and to validate your warranty.

**Obtaining Warranty Service**

Within the warranty period, the customer must contact the authorised supplier / retailer where the product was purchased or alternatively you can contact the Oz Charge service centre: In Australia call (03) 9482 2203. For all international service and technical enquiries, please use the CONTACT US page on the website listed below.

If the Authorised Supplier and / or Oz Charge service centre concludes that while under normal use, a product failure or malfunction occurred during the warranty period and was caused by a defect in material or workmanship (see Exclusions), the customer will be asked to ship to the nearest service point. The product must be packaged appropriately for safe shipment. To prove that the product is under warranty, the customer should enclose a copy of their receipt for proof of purchase. It is recommended that returned products be sent by registered mail as Zylux Distribution Pty. Ltd. (Oz Charge) accepts no responsibility / liability for goods lost or damaged in transit. Return Shipping costs to be incurred by the customer.

**Exclusions**

If upon receiving a product for repair and if testing and examining the product has disclosed that the alleged defect or malfunction in the product does not exist or was caused by the customer or any third persons misuse, physical abuse, water damage, unauthorised attempts to open, repair or modify the product or improper installation, this will not be covered under this warranty.

**This Warranty is void if:** **1)** The product has been damaged or abused. **2)** The product has been tampered or repaired by unauthorised personnel. **3)** The warranty seal is broken or altered. **4)** The warranty period has expired.

Our goods come with guarantees that cannot be excluded under the Australian Consumer Law. You are entitled to a replacement or refund for a major failure and compensation for any other reasonably foreseeable loss or damage. You are also entitled to have the goods repaired or replaced if the goods fail to be of acceptable quality and the failure does not amount to a major failure. For New Zealand customers, this warranty is in addition to statutory rights observed under New Zealand legislation.