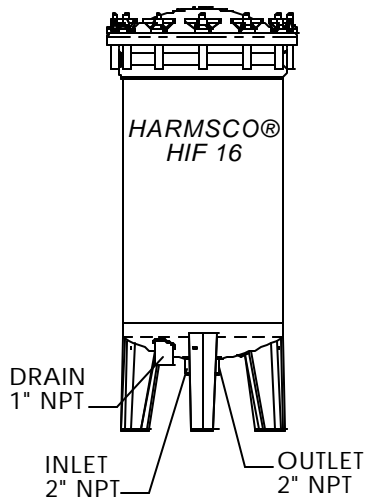


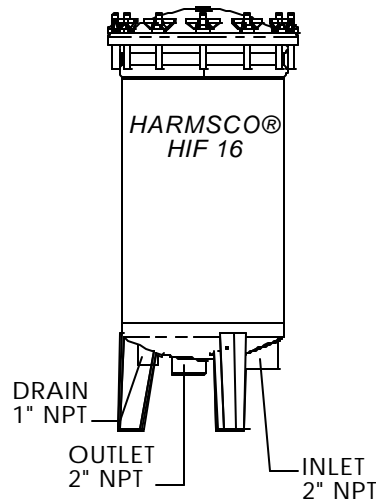


(Hurricane models only.)

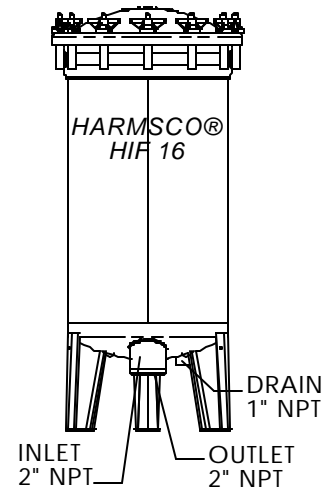
HARMSCO **FILTRATION PRODUCTS**



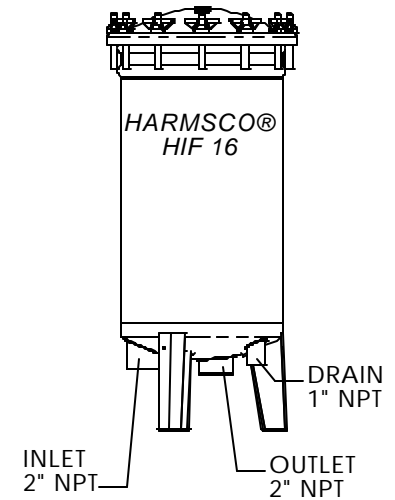
FRONT



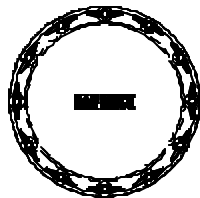
RIGHT



BACK



LEFT



TOP FOOTPRINT

HARMSCO® **HIF 16** **HIF 16SS**