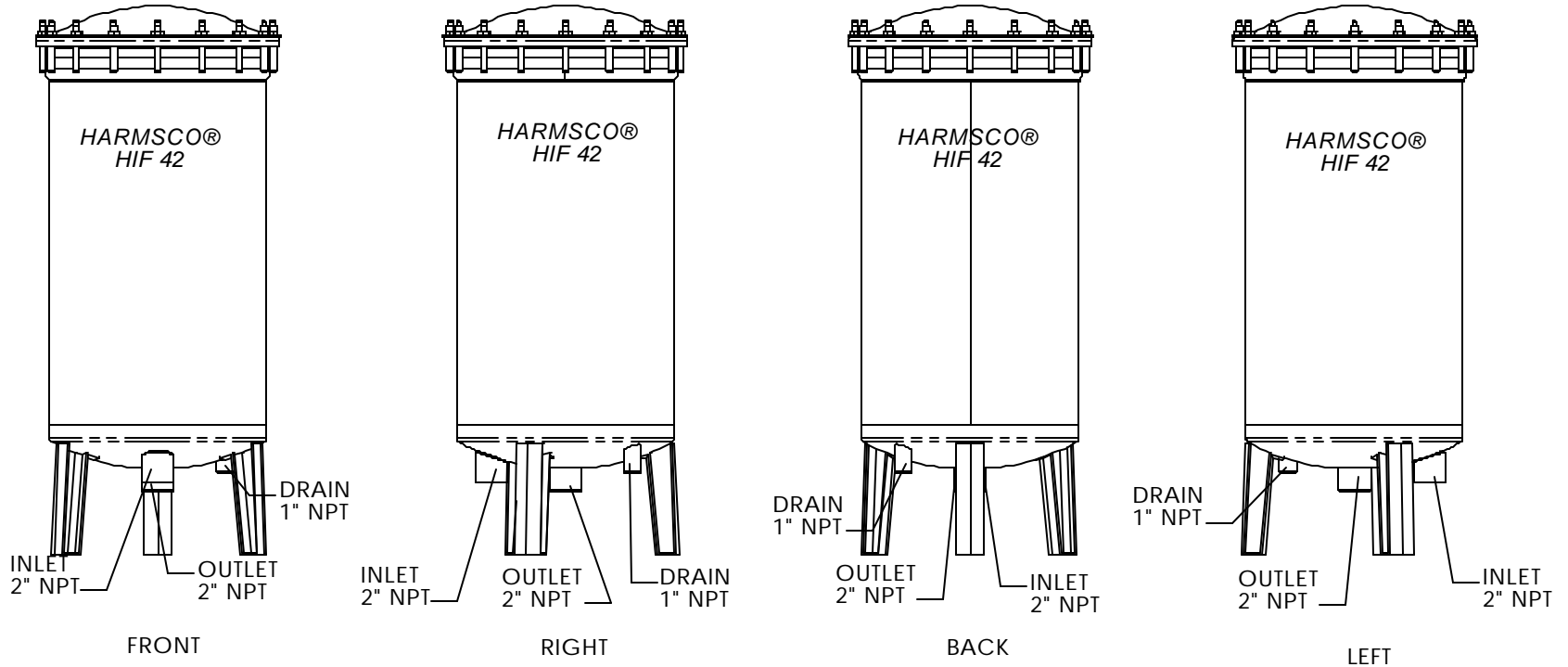




(Hurricane models only.)

# **HARMSCO** **FILTRATION PRODUCTS**



TOP FOOTPRINT

## **HARMSCO® HIF 42**