



The e-xpert pro selectively displays voltage, charge- and discharge current, consumed amhours, remaining battery capacity and time remaining of your battery bank. Using a clear backlit LC Display and an intuitive user interface, all parameters can be recalled with just a button press. A second battery input is also provided to monitor an auxiliary battery.

Defining the amount of energy available in a battery is a complex task since battery age, discharge current and temperature all influence the actual battery capacity. High performance measuring circuits, along with complex software algorithms, are used to exactly determine the remaining battery capacity. A new shunt selection feature enables the e-xpert pro to measure currents up to 10.000Amps.

The e-xpert pro is equipped with an internal programmable alarm relay, to run a generator when needed or to turn off devices when the battery voltage exceeds programmable boundaries.

The e-xpert pro comes standard with a 500 Amp shunt and a very clear installation and operating instruction manual.

Features:

- Read you're battery bank like a fuel gauge
- Provides critical information about the status of you're battery bank
- Displays voltage , current , consumed Amhoursm remaining battery capacity and time remaining
- Two battery inputs
- Large display with backlight
- Quick nut mounting construction
- Fully programmable alarm relay
- Shunt selection capability, enables flexible system integration
- Communication/ expansion port
- Stores a wide range of history events in internal memory
- Splash proof front panel
- 500 amp shunt included

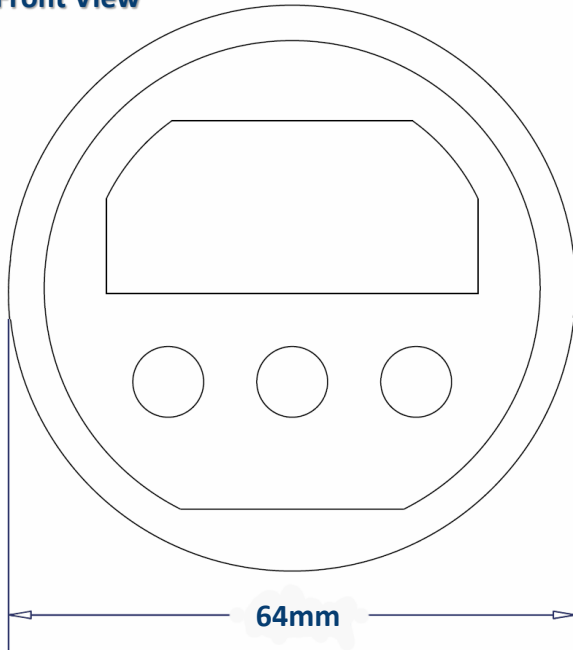
Applications

- Electric Vehicles
- Marine applications
- Solar power systems
- Industrial systems
- Electric forklifts
- Mobile entertainment systems
- Service vehicles
- Recreational vehicles
- Remote homes

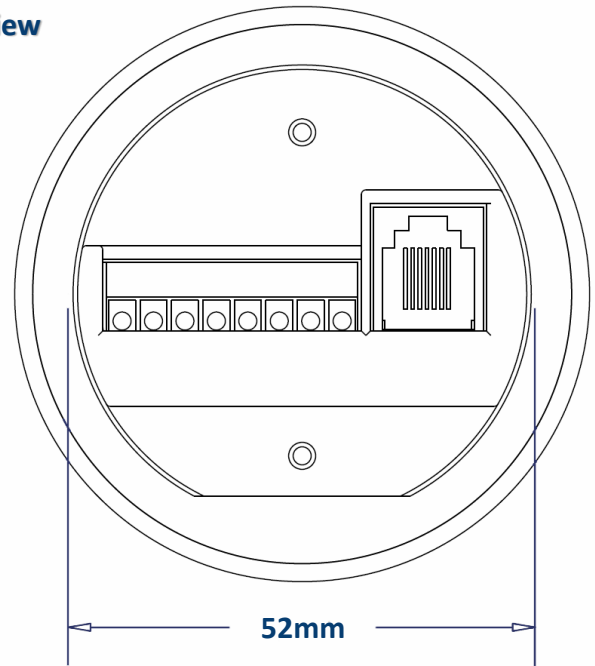
Product	Expert Pro
Supply voltage range	9..35VDC
Supply Current¹	
@Vin = 24VDC	7mA
@Vin = 12VDC	9mA
Input voltage range (auxiliary battery)	2..35VDC
Input voltage range (main battery)	0.35VDC
Input current range ²	-9999..+9999A
Battery capacity range	20..+9990Ah
Operating Temperature range	-20..+50°C
Storage temperature range	-30..+70°C
Readout resolution	
Voltage (0..35V)	± 0.01V
Current (0..200A)	± 0.1A
Current (200...9999A)	± 1A
Amphours (0..200Ah)	± 0.1Ah
Amphours (200..9990Ah)	± 1Ah
State-of-charge (0..100%)	± 0.1%
Time remaining (0..24hrs)	± 1minute
Time remaining 24..240hrs)	± 1hr
Temperature (-20..+50°C) ³	± 0.5°C
Voltage measurement accuracy	± 0.5%
Current measurement accuracy	± 0.8%
Meter dimensions	64mm (front diameter) / 52mm (body diameter) / 79mm (depth)
Meter weight	95gr
Shunt dimensions (L X W X H)	87 x 45 x 35mm
Shunt weight	145gr
Protection Class	IP20 (frontpanel only IP65)
Standards	CE marked meeting EMC directive 2004/108/EC and LVD 2006/95/EC complying with EN60335-1, RoHS 2002/95/EC

- 1) Measured with backlight and alarm relay turned off
- 2) Depends on selected shunt. With standard delivered 500A/50mV shunt (350A continuous), the range is limited to -600..+600A
- 3) Only available when optional temperature sensor is connected

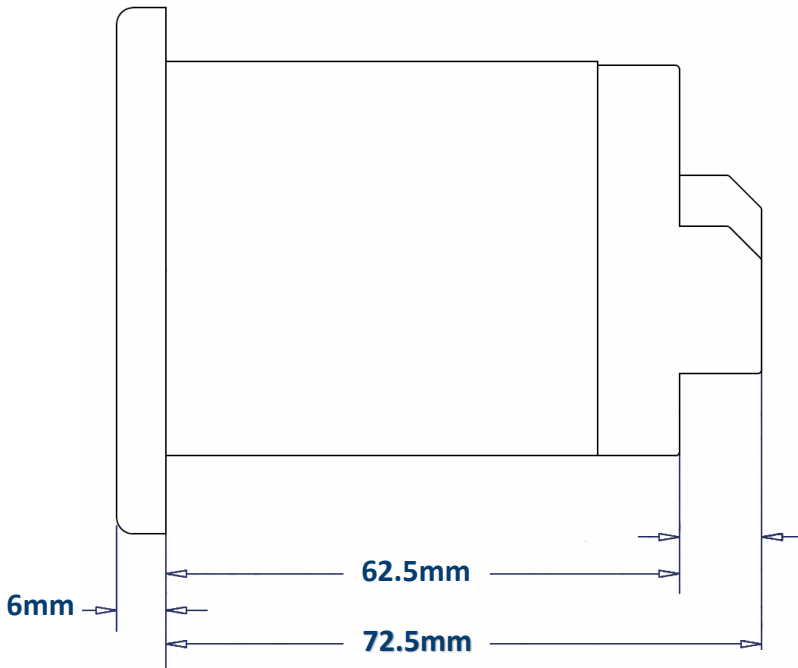
Front View



Rear View



Side View



Mounting sequence

