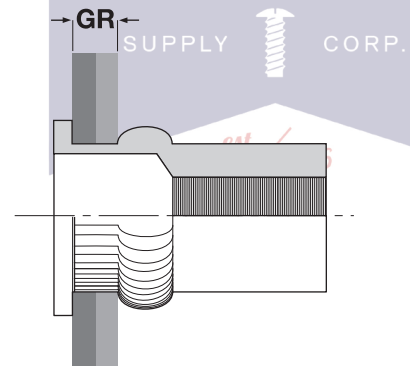
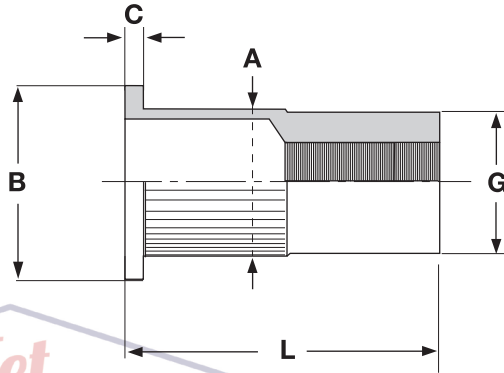


RIVETS

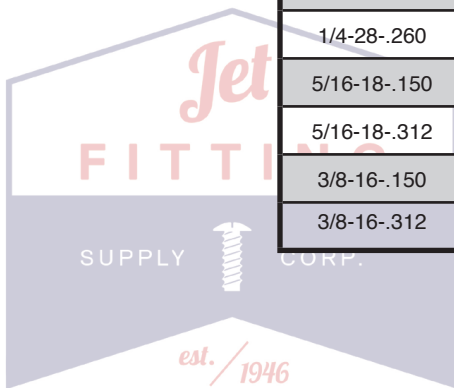
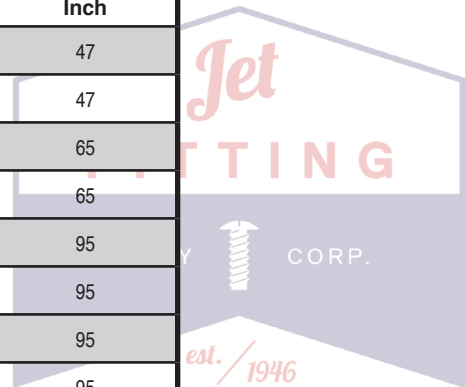
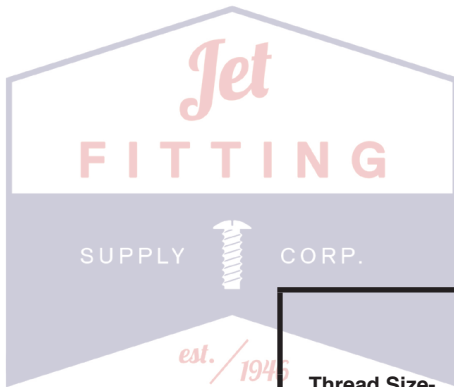
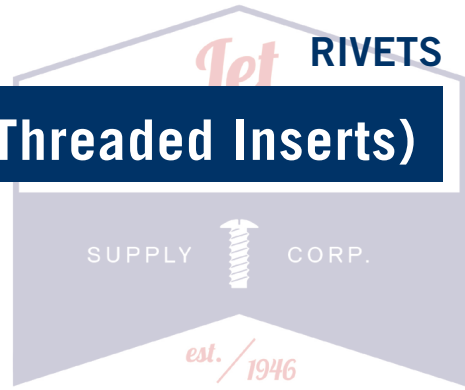
RIVET NUTS (Blind Threaded Inserts) Ribbed Body, Flat Hd, Large Flange



RIBBED BODY, FLAT HEAD, LARGE FLANGE BLIND THREADED INSERTS															
Thread Size- Ultimate Grip	L		A		B		C		G		F		Hole Size		Grip Range
	Body Length		Ribbed Body Diameter		Head Diameter		Head Height		Reduced Body Diameter		Ribbed Length				
	Max	Min	Max	Min	Max	Min	Max	Min	Max	Min	Max	Min	Max	Min	
6-32-.080	.475	.445	.265	.261	.375	.365	.037	.027	.252	.249	.220	.190	.2716	.2656	.020-.080
6-32-.130	.525	.495	.265	.261	.375	.365	.037	.027	.252	.249	.270	.240	.2716	.2656	.080-.130
8-32-.080	.475	.445	.265	.261	.375	.365	.037	.027	.252	.249	.220	.190	.2716	.2656	.020-.080
8-32-.130	.525	.495	.265	.261	.375	.365	.037	.027	.252	.249	.270	.240	.2716	.2656	.080-.130
10-24-.130	.530	.500	.296	.292	.400	.390	.042	.032	.283	.280	.270	.240	.3029	.2969	.020-.130
10-24-.225	.640	.610	.296	.292	.400	.390	.042	.032	.283	.280	.365	.335	.3029	.2969	.130-.225
10-32-.130	.530	.500	.296	.292	.400	.390	.042	.032	.283	.280	.270	.240	.3029	.2969	.020-.130
10-32-.225	.640	.610	.296	.292	.400	.390	.042	.032	.283	.280	.365	.335	.3029	.2969	.130-.225
1/4-20-.165	.635	.605	.390	.386	.500	.490	.042	.032	.378	.375	.298	.268	.3966	.3906	.027-.165
1/4-20-.260	.735	.705	.390	.386	.500	.490	.042	.032	.378	.375	.390	.360	.3966	.3906	.165-.260
5/16-18-.150	.750	.720	.530	.526	.670	.660	.047	.037	.518	.515	.326	.296	.5372	.5312	.027-.150
5/16-18-.312	.865	.835	.530	.526	.670	.660	.047	.037	.518	.515	.488	.458	.5372	.5312	.150-.312
3/8-16-.150	.750	.720	.530	.526	.670	.660	.047	.037	.518	.515	.326	.296	.5372	.5312	.027-.150
3/8-16-.312	.865	.835	.530	.526	.670	.660	.047	.037	.518	.515	.488	.458	.5372	.5312	.150-.312

Description	A cylindrical internally threaded fastener, open at both ends with a large flange at one end that can be installed into a prepared hole from the blind side of the ultimate fastening. The outer surface of the insert has ribs (or splines) that extend from under the flange toward the opposite end. The insert is threaded onto mandrel of installation tool and positioned into hole. As mandrel is pulled back, the insert is expanded into the base material it is now gripping. Installation is complete when the mandrel of the tool is removed from the set insert.
Applications / Advantages	Ease of installation makes blind threaded inserts a low-cost way to provide threaded holes in thin sheet metal. Large flange design enhances push-out strength. Ribbed contour of the body provides resistance to turning.
Material	Aluminum: 5056 Aluminum or ALMG 3 alloy Steel: 1006 - 1008 low carbon steel

Ribbed Body, Flat Hd, Large Flange **RIVET NUTS (Blind Threaded Inserts)**



Thread Size- Ultimate Grip	MINIMUM PERFORMANCE FOR STEEL LARGE FLANGE RIBBED BODY BLIND THREADED INSERTS			
	Torque to Turn	Pull Out	Push Out	Torque Out
	Foot Pounds/ Inch	Foot Pounds	Foot Pounds	Foot Pounds/ Inch
6-32-.080	10	520	180	47
6-32-.130	10	520	180	47
8-32-.080	10	520	180	65
8-32-.130	10	520	180	65
10-24-.130	12	630	335	95
10-24-.225	12	630	335	95
10-32-.130	12	630	335	95
10-32-.225	12	630	335	95
1/4-20-.165	12	685	320	235
1/4-20-.260	12	685	320	235
1/4-28-.165	12	685	320	-
1/4-28-.260	12	685	320	-
5/16-18-.150	24	1115	510	-
5/16-18-.312	24	1115	510	-
3/8-16-.150	24	1115	510	-
3/8-16-.312	24	1115	510	-