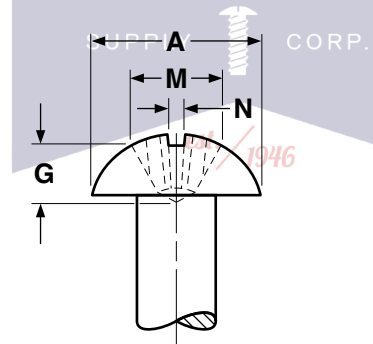
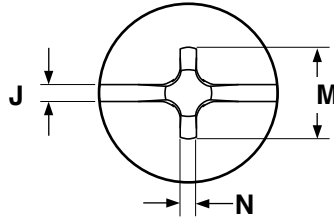
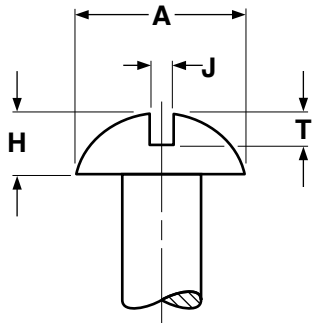


# Combo Round & Hex Washer

# Head Dimensions

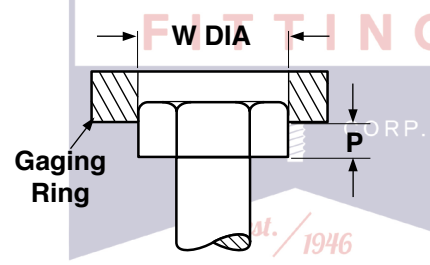
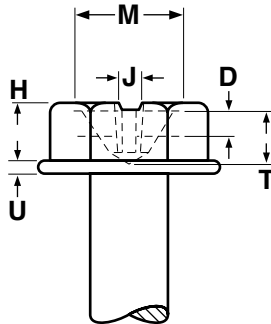
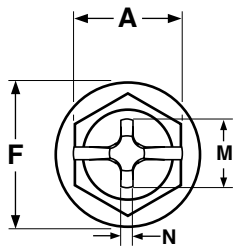
# Machine Screws



## COMBINATION ROUND HEADS FOR MACHINE SCREWS

ASME B18.6.3 2002

Nominal Size	A		H		J		T		M	G	N	Recess Penetration Gaging Depth		Phillips Driver Size
	Head Diameter		Head Height		Slot Width		Slot Depth		Recess Diameter	Recess Depth	Recess Width	Max	Min	
	Max	Min	Max	Min	Max	Min	Max	Min	Ref	Ref	Ref			
6	.260	.240	.103	.091	.048	.039	.068	.051	.155	.070	.027	.073	.045	2
8	.309	.287	.120	.107	.054	.045	.077	.058	.171	.088	.030	.090	.064	2
10	.359	.334	.137	.123	.060	.050	.087	.065	.188	.106	.031	.108	.082	2
1/4	.472	.443	.175	.160	.075	.064	.109	.082	.261	.134	.034	.130	.104	3
5/16	.590	.557	.216	.198	.084	.072	.132	.099	.301	.174	.040	.170	.144	3
3/8	.708	.670	.256	.237	.094	.081	.155	.117	.380	.215	.064	.208	.182	4



## COMBINATION HEX WASHER HEADS FOR MACHINE SCREWS

ASME B18.6.3 2002

Nom Size	A		H		F		U		J		D		P	M	T	N	Recess Penetrating Gaging Depth		Driver Size
	Width Across Flats		Head Height		Washer Diameter		Washer Thickness		Slot Width		Slot Depth		Protrusion Beyond Gaging Ring	Recess Diameter	Recess Depth	Recess Width	Max	Min	
	Max	Min	Max	Min	Max	Min	Max	Min	Max	Min	Max	Min	Min	Ref	Ref	Ref			
6	.250	.244	.093	.080	.328	.302	.025	.015	.048	.039	.053	.030	.048	.148	.088	.026	.089	.064	2
8	.250	.244	.110	.096	.348	.322	.031	.019	.054	.045	.074	.048	.058	.168	.114	.029	.115	.090	2
10	.312	.305	.120	.105	.414	.384	.031	.019	.060	.050	.080	.052	.063	.178	.126	.029	.127	.102	2
12	.312	.305	.155	.139	.432	.398	.039	.022	.067	.056	.103	.072	.083	.247	.157	.033	.152	.127	3
1/4	.375	.367	.190	.172	.520	.480	.050	.030	.075	.064	.111	.078	.103	.277	.191	.034	.186	.161	3