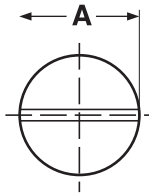


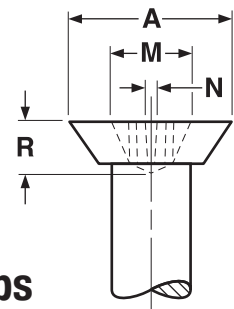
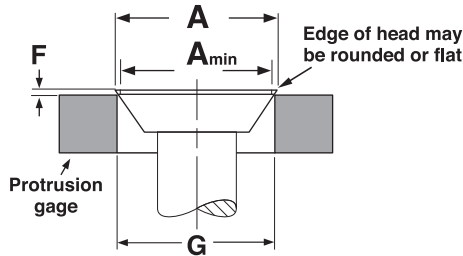
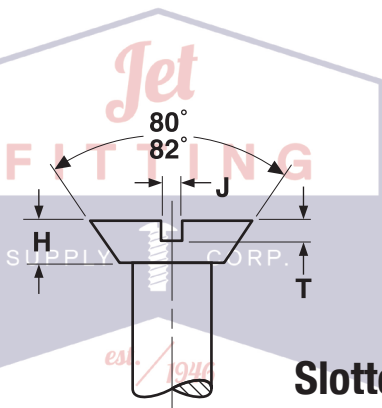
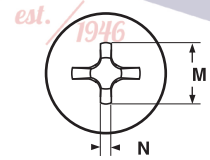
Flat Undercut

Head Dimensions

Machine Screws



SUPPLY CORP.



Slotted

Phillips

UNDERCUT FLAT HEADS FOR MACHINE SCREWS

ASME B18.6.3-2010

Nominal Size	L	A		H		J		T		M	R	N	F		G	Phillips Driver Size
	These Lengths or Shorter are Undercut	Head Dimensions				Slot Dimensions				Recess Dimensions			Protrusion Above Gaging Diameter		Gaging Diameter	
		Diameter		Height		Width		Depth		Diam.	Depth	Width	Max	Min		
		Max	Min	Max	Min	Max	Min	Max	Min	Ref	Ref	Ref				
0	1/8	.112	.096	.025	.018	.023	.016	.011	.007	.062	.035	.014	-	-	-	0
1	1/8	.137	.120	.031	.023	.026	.019	.014	.009	.070	.043	.015	-	-	-	0
2	1/8	.162	.144	.036	.028	.031	.023	.016	.011	.088	.048	.017	.029	.017	.124	1
4	3/16	.212	.191	.047	.038	.039	.031	.022	.014	.110	.070	.018	.032	.019	.172	1
5	3/16	.237	.215	.053	.043	.043	.035	.024	.016	.122	.081	.018	.034	.020	.196	1
6	3/16	.262	.238	.059	.048	.048	.039	.027	.017	.140	.066	.025	.036	.021	.220	2
8	1/4	.312	.285	.070	.058	.054	.045	.032	.021	.168	.094	.029	.039	.023	.267	2
10	5/16	.362	.333	.081	.068	.060	.050	.037	.024	.182	.110	.030	.042	.025	.313	2
12	3/8	.412	.380	.092	.078	.067	.056	.043	.028	.226	.110	.030	.045	.027	.362	3
1/4	7/16	.477	.442	.107	.092	.075	.064	.050	.032	.244	.124	.032	.050	.029	.424	3
5/16	1/2	.597	.556	.134	.116	.084	.072	.062	.041	.310	.157	.053	.057	.034	.539	4
3/8	9/16	.717	.670	.161	.140	.094	.081	.075	.049	.358	.205	.061	.065	.039	.653	4
1/2	3/4	.815	.765	.156	.130	.106	.091	.072	.046	.402	.252	.068	.081	.049	.739	4

est. / 1946