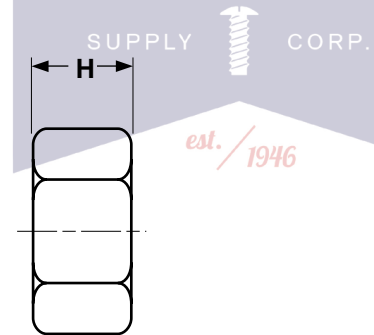
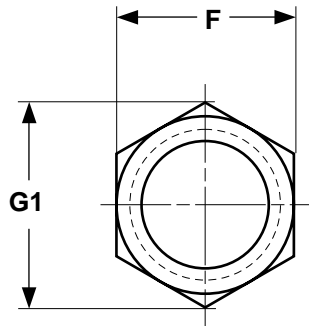


Small Pattern

Machine Screw Nuts

Nuts



SMALL PATTERN HEX MACHINE SCREW NUTS

ANSI/ASME
B18.6.3

Nominal Size or Basic Thread Diameter		F			G1		H	
		Width Across Flats			Width Across Corners		Thickness	
		Basic	Max	Min	Max	Min	Max	Min
4	0.1120	3/16	0.188	0.180	0.217	0.205	0.066	0.057
5	0.1250	1/4	0.250	0.241	0.289	0.275	0.098	0.087
6	0.1380	1/4	0.250	0.241	0.289	0.275	0.098	0.087
8	0.1640	1/4	0.250	0.241	0.289	0.275	0.098	0.087
8	0.1640	5/16	0.312	0.302	0.361	0.344	0.114	0.102
10	0.1900	1/4	0.250	0.241	0.289	0.275	0.098	0.087
10	0.1900	5/16	0.312	0.302	0.361	0.344	0.114	0.102

Description	Similar in design to standard hex machine screw nuts but with smaller widths across the flats and across the corners.
Applications/ Advantages	Designed to be used with machine screws in areas where there is limited space for wrenching. Stainless nuts are used with stainless machine screws where parts are subject to corrosive conditions.
Material	Steel: Any low carbon steel Stainless: 18-8 stainless steel
Plating	See Appendix-A for information about the plating of steel machine screw nuts..