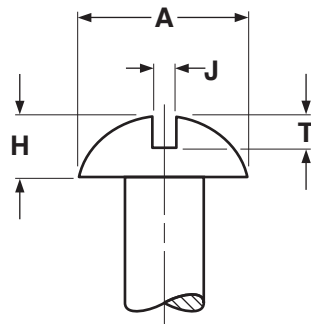
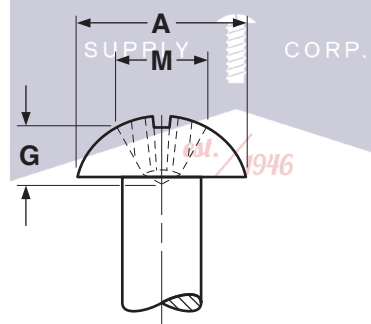


**Round & Round Washer HEAD DIMENSIONS**

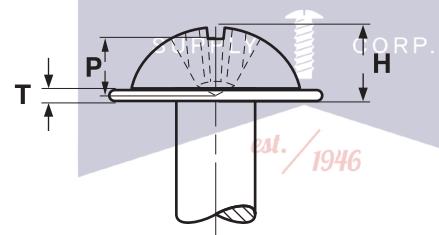
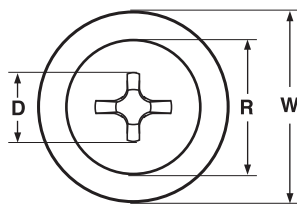


**Slotted**



**Phillips**

ROUND HEADS FOR SELF TAPPING SCREWS												ASME B18.6.3—2010
Nominal Size	A		H		J		T		G			Phillips Driver Size
	Head Diameter		Height of Head		Slot Width		Slot Depth		Dimensions of Recess			
	Max	Min	Max	Min	Max	Min	Max	Min	Diameter	Recess Penetration Gaging Depth		
	Max	Min	Max	Min	Max	Min	Max	Min	Ref	Max	Min	
2	.162	.146	.069	.059	.031	.023	.048	.037	.094	.046	.027	1
4	.211	.193	.086	.075	.039	.031	.058	.044	.112	.065	.046	1
5	.236	.217	.095	.083	.043	.035	.063	.047	.147	.063	.035	2
6	.260	.240	.103	.091	.048	.039	.068	.051	.156	.073	.045	2
8	.309	.287	.120	.107	.054	.045	.077	.058	.172	.090	.064	2
10	.359	.334	.137	.123	.060	.050	.087	.065	.188	.108	.082	2
12	.408	.382	.153	.139	.067	.056	.096	.073	.242	.108	.082	3
14	.457	.429	.170	.155	.075	.064	.106	.080	.258	.125	.099	3
1/4	.472	.443	.175	.160	.075	.064	.109	.082	.262	.130	.104	3



ROUND WASHER HEADS FOR SELF TAPPING SCREWS											ASME B18.6.3—2010
Nominal Size	W		T	R	H		D	P	Recess Penetration Gaging Depth		Phillips Driver Size
	Washer Outside Diameter		Washer Thickness	Crown Diameter	Overall Head Height		Recess Diameter	Recess Depth			
	Max	Min	Ref	Ref	Max	Min	Ref	Ref	Max	Min	
5	.291	.272	.040	.198	.088	.075	.139	.051	.054	.026	2
6	.321	.301	.040	.218	.096	.084	.147	.058	.061	.033	2
8	.380	.358	.040	.259	.113	.101	.161	.073	.076	.048	2
10	.439	.416	.050	.300	.130	.118	.177	.091	.093	.066	2
1/4	.576	.548	.050	.396	.170	.157	.244	.110	.107	.080	3