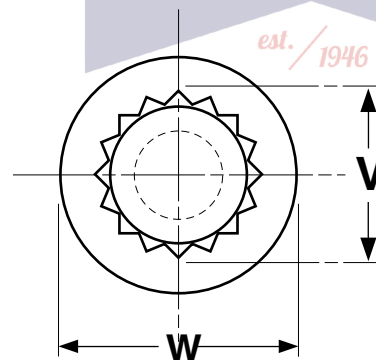
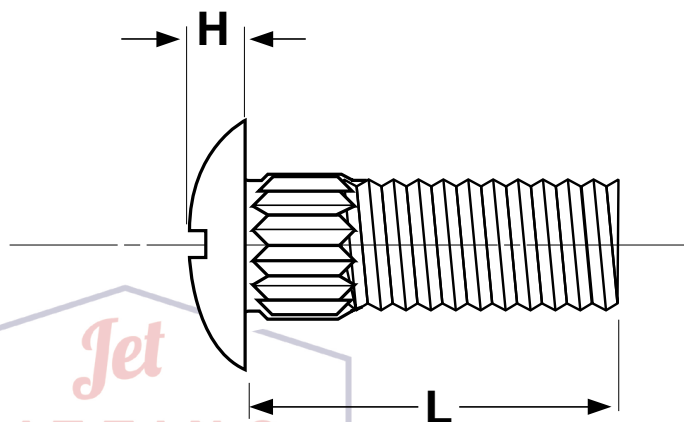


Bolts & Cap Screws

Track Bolts

Low Carbon
& Grade-5



SLOTTED ROUND TRACK BOLTS

Bolt Diameter & Thread Pitch	Head Diameter		Head Height		Neck Diameter	
	W		H		V	
	Max	Min	Max	Min	Max	Min
1/4-20	.448	.425	.103	.083	.290	.275
Tolerance on Length			+.009, -.013			

Description	A round head bolt with slot that extends across the center of the top of the head for driving. Directly below the head, the shoulder has vertical ribs that protrude out from the screw's shank, giving that section a greater diameter than the threaded portion of the fastener.
Applications/ Advantages	Designed specifically for use in installation of garage doors. The track bolt is used to (a) attach track brackets to the vertical sections of track; (b) attach the flag bracket to the top of the vertical tracks; (c) fasten the horizontal angle bracket to the horizontal track. The round head has a low profile to not interfere with the rollers as they pass along the track. The preferred mating part is a serrated flange nut.
Material	Grade-2: AISI 1006 - 1025 steel Grade-5: AISI 1030 - 1055 steel
Core Hardness	Grade-2: Rockwell B80 - B100 Grade-5: Rockwell C25 - C34
Tensile Strength	Grade-2: 74,000 psi. min. Grade-5: 120,000 psi. min.
Plating	Track bolts are usually supplied with a clear zinc finish.