

"UNITE" ADJUSTABLE BASE

PRECISE

Our handset provides 4 programmable positions along with an LED readout of desk height. No more searching for your favourite positions.

SPEEDY

At 1.5 inches per second, our lifting speed swiftly moves you from one position to another.

SMART

The sophisticated programming in our control box creates the quality of movement you'd expect from a high-end product.

- Software ensures soft start/stop
- Hall sensor measures speed and alignment
- Temperature sensors protect circuitry and motors to assure long life

STRONG

We only use powder-coated steel construction and powerful DC motors with high lifting capacities.

"UNITE" 2 Leg Adjustable Base

- Full height range: seated keyboard to full standing (23.5"-49")
- 330 lb lifting capacity
- 1.5 inches/second
- LED programmable handset
- 2 Powerful DC motors.
- Adjustable leveling legs

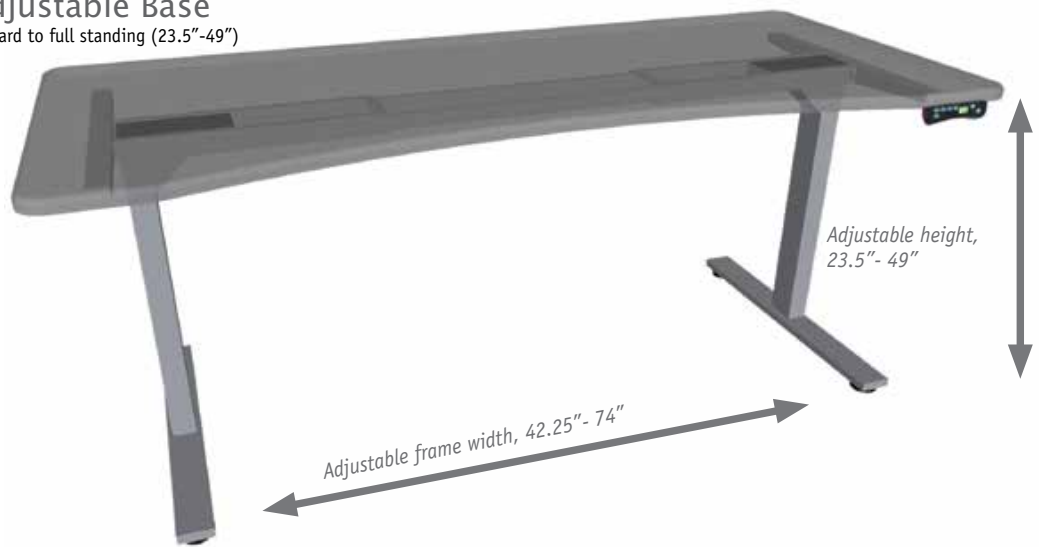
500782100 Gray

50078290 Black

Programmable Switch



Smart Circuitry



"UNITE" 3 Leg Adjustable Base

- Full height range: seated keyboard to full standing (23.5"-49")
- 465 lb lifting capacity
- 1.5 inches/second
- LED programmable handset
- 3 Powerful dc motors.
- Adjustable leveling legs

500783100 Gray

50078390 Black

Programmable Switch



Smart Circuitry

