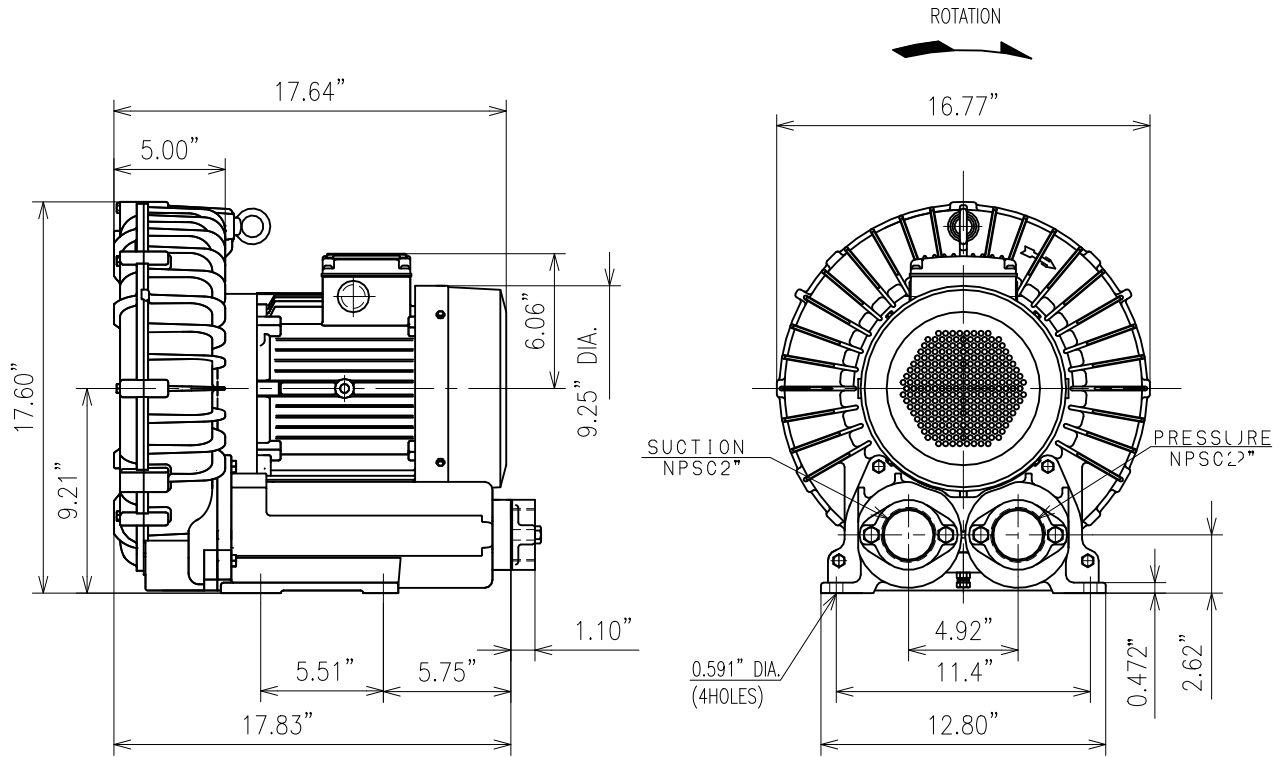


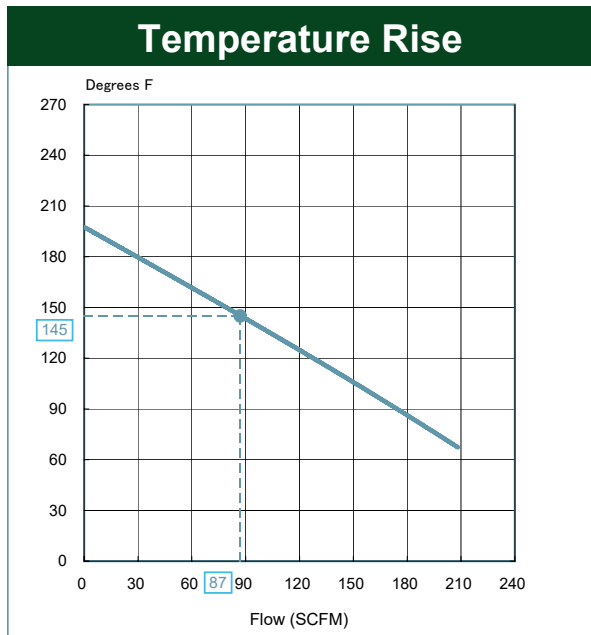
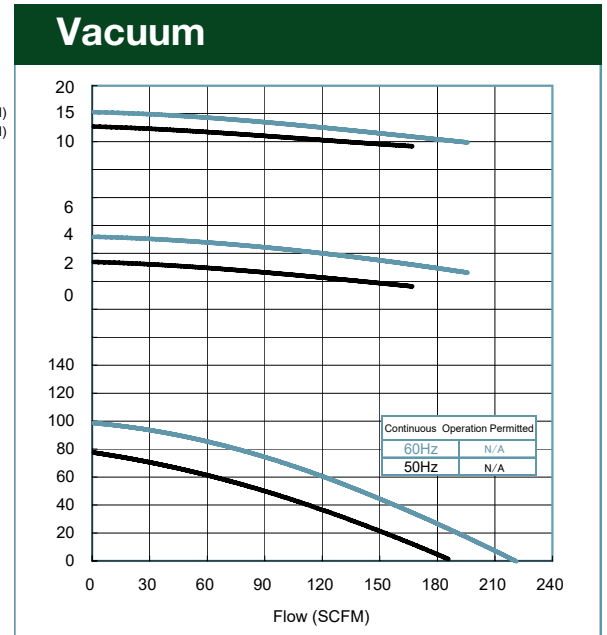
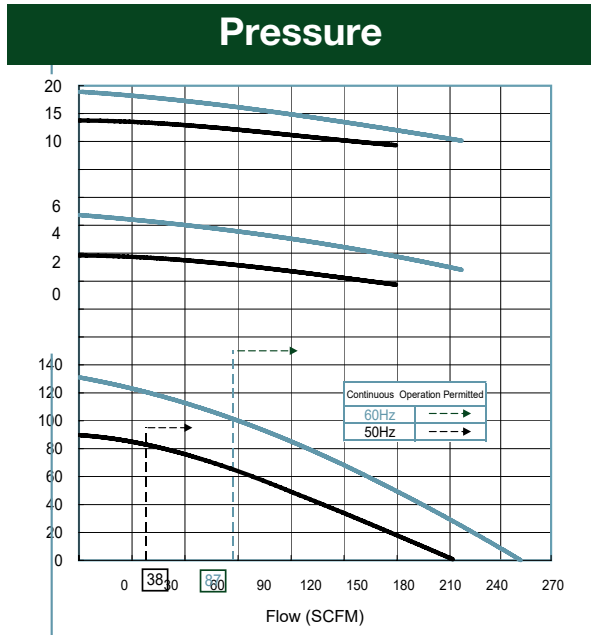
NEMA Premium
IE3



RU **US** **SP** **CE** RoHS Compliant

Specifications

| Model | VFZ701A-7W | |
|--------------------------------|---------------|----------|
| HP | 6.7 | 6.7 |
| Hz | 60 | 50 |
| Phase | 3 | 3 |
| Voltage | 208-230/460 | 200/400 |
| Max. Amps | 17.6-16.2/8.1 | 13.4/6.7 |
| Locked Rotor Amps | 189-210/105 | 195/97.5 |
| Max. Pressure (in. H2O) | 130 | 90 |
| Max. Vacuum (in. H2O) | 99 | 80 |
| Max. Airflow Pressure (SCFM) | 250 | 210 |
| Max. Airflow Vacuum (SCFM) | 220 | 185 |
| Min. Airflow Pressure (SCFM) | 87 | 38 |
| Min. Airflow Vacuum (SCFM) | 0 | 0 |
| Max. Air Temperature Rise (°F) | 145 | 140 |
| Weight (lbs.) | 134 | 134 |



Max. Air Temperature is Value Marked plus 40 Degrees C Ambient Temperature

Accessories

| | |
|------------------------|--------------|
| Inlet Filter | F-67 |
| Inlet Filter/ Silencer | FS-67 |
| In-Line Vacuum Filter | IVF-67 |
| Pressure Relief Valve | PV7 |
| Vacuum Relief Valve | Not Required |
| Silencer 2" | VFY026A |