



## Contents

Caution	1
Specifications	2
Dimensional Drawing	3
Components	4
Assembly	5-6
Operation	7
Reset Procedure	7
Troubleshooting	8



Ensure no obstacles are in the desk's path. Ensure the tabletop is not touching any walls. Ensure all cords are appropriate length to accommodate the change in height.



**Warning**  
**Pinch Point**  
Keep hands and fingers clear.



Keep children away from electric height-adjustable desks, control units, and handsets. There is a risk of injury and electric shock.



Keep all electrical components away from liquids.



Do not sit or stand on the desk frame. Do not crawl or lie under the desk frame.



Do not place any objects taller than 20" underneath the desk.



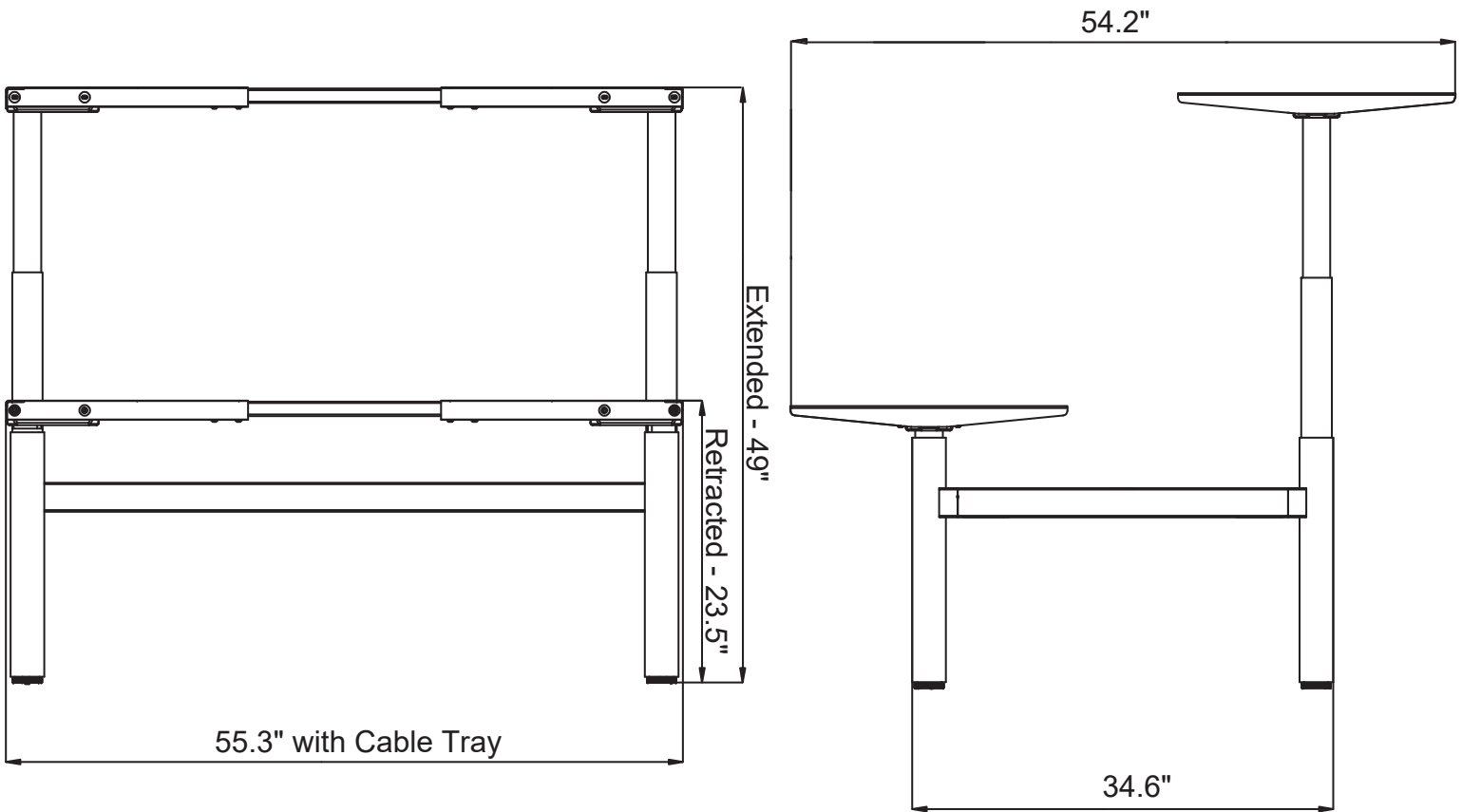
During the Reset Procedure, the desk will retract **7mm below the lowest normal operating height**, ensure no obstacles impede this motion of travel.

# Specifications

Input Voltage	120VAC, 60 Hz
Output Voltage	24VDC
Stroke (movement)	25.5"
Height Range (without tabletop)	23.5" - 49"
Base Width	39.6" minimum - 74" maximum
Minimum Tabletop Size	45" x 25"
Weight Capacity (load)	270 lbs per side
No Load Speed	1.57"/s
Full Load Speed	1.18"/s
Duty Cycle	10% (2 minutes on, 18 minutes off)
Operating Noise	< 50 dB
Frame Material	SPCC/ SPHC Steel
Finish	Powder Coat
Color	Black, Gray, White
Leveling	Adjustable Leveling Feet
Low Power Mode	Standby < 0.1W
Certification	UL and BIFMA United Certificate

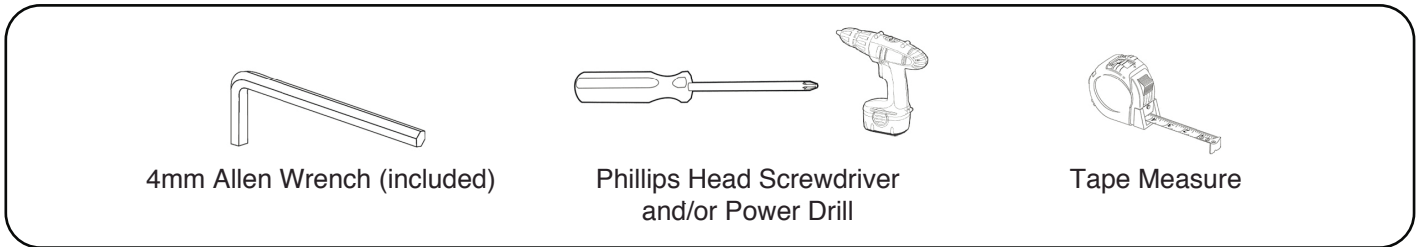
Feature	Description
Soft Start and Stop	The table lift will accelerate to maximum speed and decelerate to a stop to ensure smooth travel.
Memory Presets	The Smart Remote has the ability to save preset height locations for convenience. Set the numbered buttons on the Smart Remote for quick and seamless adjustment.
Anti-Collision	The Anti-Collision feature will help protect the table lift against obstacles which impede the motion of travel.

# Dimensional Drawing

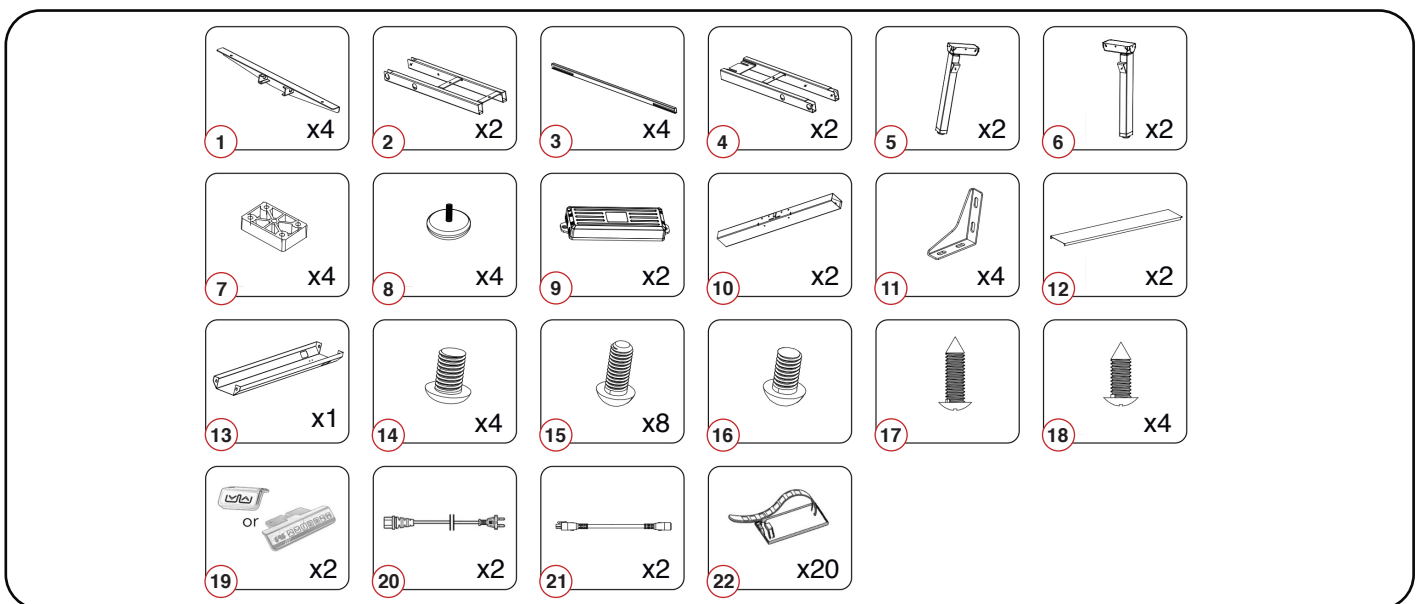


\*Feet and column style may vary slightly

## Tools



## Parts

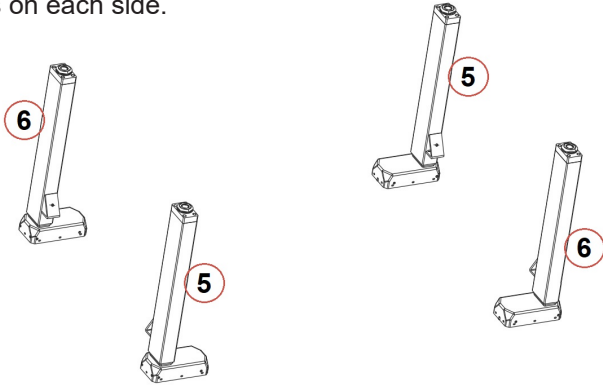


## Parts Diagram

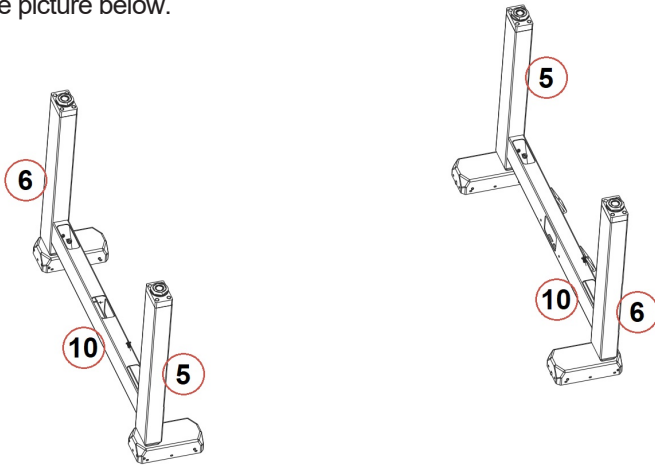
NO.	Description	Qty
1	Side Bracket	4
2	Frame 1	2
3	Center Rail	4
4	Frame 2	2
5	Leg (Right)	2
6	Leg (Left)	2
7	Foot	4
8	Caster	4
9	Control Box	2
10	Beam	2
11	Screen Holder	4
12	Cable Tray Cover	2
13	Cable Tray	1
14	M8x12 Machine Screw	4
15	M6x14 Machine Screw	8
16	M6x10 Machine Screw	44
17	M5x20 Wood Screw	14
18	M5x16 Wood Screw	4
19	Hand Remote	2
20	Power Cord	2
21	Extender Cable	2
22	Cable Clip	20

**STEP 1**

Prepare the four Legs (5 & 6) as shown in the picture below. Ensure there are matching set of Right and Left legs on each side.

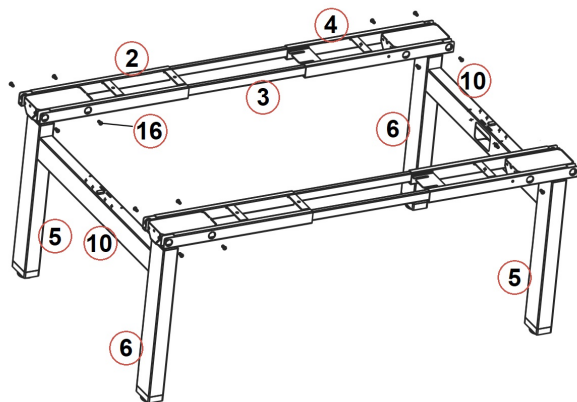
**STEP 2**

Using the supplied Allen Wrench, insert four M8x12 Machine (14) Screws to attach the Beams (10) to the legs as shown in the picture below.

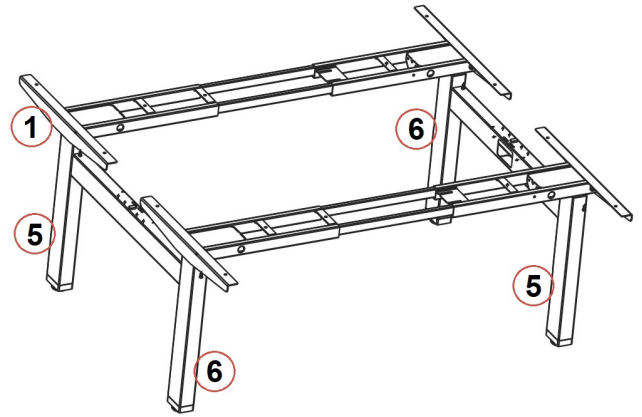
**STEP 3**

Use 16 of the M6x10 Machine Screws (16) to attach the Frames to the Legs. Put the Center Rails (3) into the Frames as shown in the picture below.

*\*Please note that while the picture shows the table lift set in the upright orientation, we do not recommend flipping it until Step 5\**

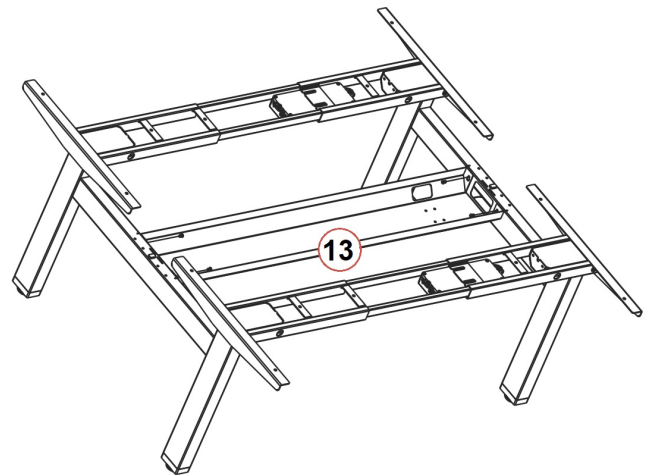
**STEP 4**

Slide the Side Brackets (1) into the Frames. Use eight of the M6x14 Screws to attach the Side Brackets to the Frames.

**STEP 5 (optional)**

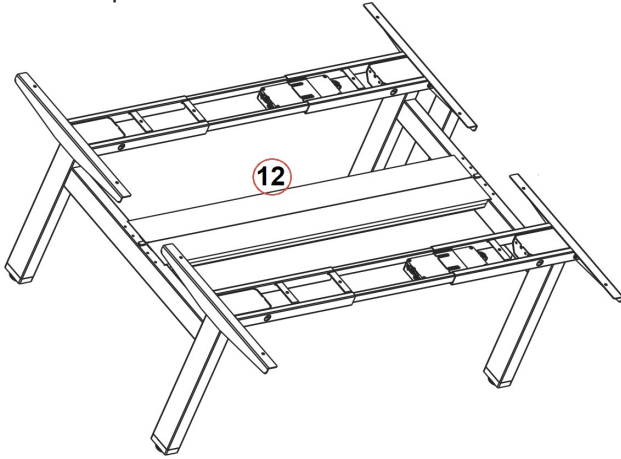
Insert four of the M6x10 Machine Screws into the holes of the Beams then assemble the Cable Tray as shown in the picture below.

*\*Please note that once the Cable Tray is installed, the base width will be locked in position. If you'd like to adjust the base width, skip to step 7\**



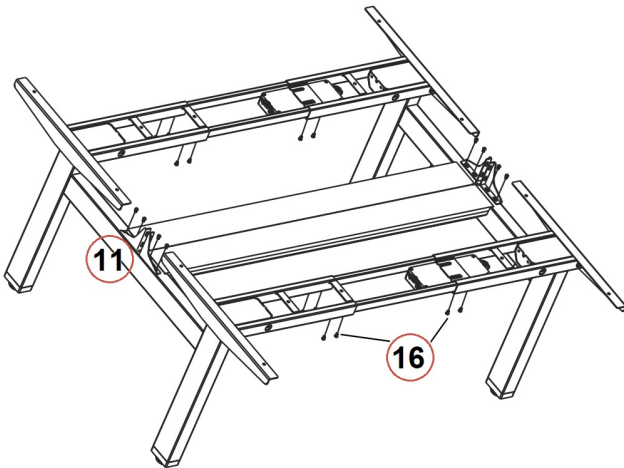
## STEP 6

Place the Cable Cover Tray (12) on top of the Cable as shown in the picture below.



## STEP 7

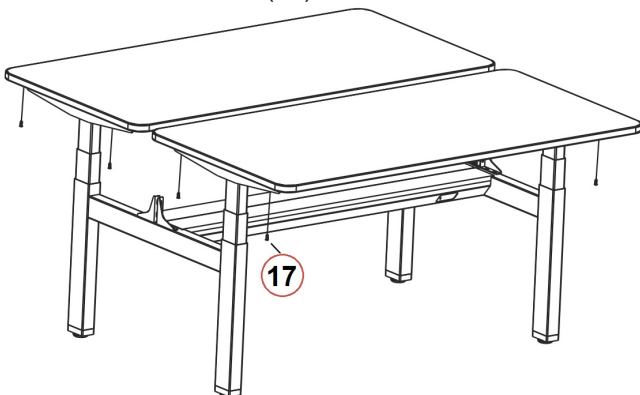
Use 24 of the M6x10 Machine Screws to attach the Center Rails to the Frames and to attach the Screen Holders (11).



## STEP 8

Ensure that the wood screws are not too long for your tabletop.

If possible, pre-drill pilot holes into the tabletop to ease the installation process. Attach the frame to the tabletop using the M5x20 Wood Screws (17).



## STEP 9

Attach the Hand Remotes (19) so the front of the remotes are lined up with each of the tabletop edges. Place the remotes anywhere along the edges so that you'll have easy access to them. Use four of the M8x12 Wood Screws (14) to attach and secure the remotes to the tabletop. Do not over-tighten the screws as this could cause damage to the components.

## STEP 10

Connect the cable from the Leg (5,6) that is attached to Frame 2 (3a) directly into the Control Box (6). Connect the Extender Cable (21) to the other Leg (5,6) and the Control Box (9). Then connect the Hand Remote (19) cable to the Control Box (9). Repeat this process for the other Control Box (9).

Use the adhesive-backed Cable Clips (22) to secure the cables so they are not loose and in the way.

## STEP 11

We recommend having a minimum of three people for this step. Flip the fully assembled desk by the legs (not by the tabletop).

## IMPORTANT

**Prior to normal operation, please complete a Reset Procedure outlined in the next section.**

### Normal Operation

Using the wired remote, press and hold the 'Up' button to raise the table lift. To lower the table lift, press and hold the 'Down' button. The 'Up' and 'Down' buttons are momentary controlled, when they are released, the table lift will stop immediately.

To set a preset location, move the table lift to the desired height. Press the 'M' button followed by a numbered button. The LED display will flash an 'S', followed by an 'S - Number'. This will indicate that the preset has been saved.

To use a preset, press any of the numbered buttons and the table lift will begin to move to the preset position. It is important to ensure that no obstacles impede the motion of travel. To stop the table lift, press any button.

If the table lift does not function as intended or the LED display flashes "RSt", please follow the Reset Procedure outlined in the next section.

### Setting the LED Display

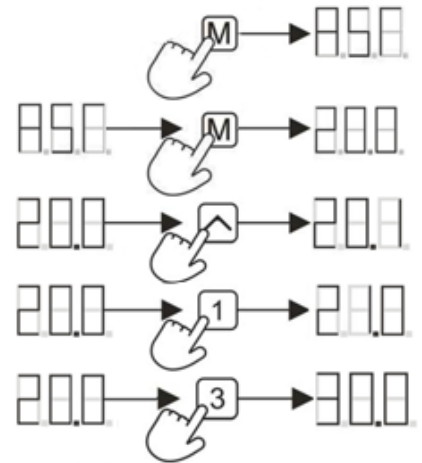
Using the wired smart remote, retract the table lift to the lowest position. Press and hold the 'Down' button again until the LED display flashes "RST".

Press and hold the 'M' button until the LED display flashes the starting height (if the display returns to "RSt" before the next step, repeat this step).

To change the value of the starting height, use the 'Up', 'Down' to increase and decrease by 0.1. Use the '1', '2' to increase and decrease by 1s. Use the '3', and '4' buttons to increase or decrease by 10s.

Once the correct value is displayed, wait 5 seconds until the LED display flashes "RSt". Follow the Reset Procedure outlined in the next section to save the new starting height.

Note: the LED display has a tolerance of  $\pm 0.1$ .



## Reset Procedure

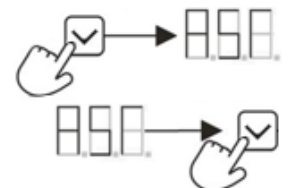
**WARNING: During the Reset Procedure, the table lift will retract 7mm below the lowest normal operating height, please ensure that no obstacles impede this motion of travel.**

1. Move the table lift to the lowest position. (If there is an 'RSt' displayed on the remote, continue to step 3.)

2. To initiate the Reset Procedure, press and hold the down button on the remote until "ASr" is displayed. Release the down button.

3. Press and hold the down button on the remote, the table lift will begin to retract 7mm lower than the lowest normal operating height. To stop motion at any time, let go of the down button.

4. Once the table lift has completed the Reset Procedure, height will be displayed on the remote.





Troubleshooting Guide		
Problem	Possible Cause	Corrective Action
Remote LED is off.	Low power mode activated	Press any button on the remote and LED will activate.
	Connection issue	Disconnect and reconnect the RJ-45 remote connector. Ensure connection is secure and cable is not damaged.
Table lift does not move when motion control buttons are pressed.	Limit switch reached	Follow "Setting Limit Switches" instructions to remove the programmed limit. If maximum or minimum height limit has been reached, please move the system in the opposite direction.
	Connection issue	Disconnect and reconnect the Lifting Columns, Control Box, AC Power, and Remote.
Table lift travels at a significantly slower speed than rated specification.	Weight issue	Ensure weight capacity has not exceeded the maximum load rating.
Unusual noise during travel.	Weight issue	Ensure weight capacity has not exceeded the maximum load rating.
Table lift stops abruptly during travel.	Obstacle	Ensure there are no obstacles in the path of the table lift. If the movement continues to fail, initiate the Reset Procedure.
Table lift is not level.	Out of sync	Disconnect and reconnect all cables (Lifting Column, Control Box, AC Power, and Remote), then initiate the Reset Procedure.

Error Codes (remotes with LED display)		
Error Code	Error Summary	Description
E01	M1 overcurrent protection	All columns stop moving and remote displays E01-E04. Ensure that the total weight capacity of the table lift has not been exceeded and that no obstacles obstruct the movement. Press any key and remote will display RST, initiate the Reset Procedure. If the issue persists, disconnect and reconnect all of the lifting columns, including the main power. Repeat the Reset Procedure.
E02	M2 overcurrent protection	
E03	M3 overcurrent protection	
E04	M4 overcurrent protection	
E07	M1 hall error	All columns stop moving and remote displays E07-E10. Ensure that all columns are still properly connected to the control box. Check to see if any cables have been damaged. Press any key and remote will display RST, initiate the Reset Procedure. If the issue persists, disconnect and reconnect all of the lifting columns, including the main power. Repeat the Reset Procedure.
E08	M2 hall error	
E09	M3 hall error	
E10	M4 hall error	
H01	Over heat /duty cycle protection	All columns stop moving, remote displays H01 (if LED screen available). Allow the system to rest for 16 minutes, use normally. Follow the Duty Cycle rating to ensure no issues arise from overheating.