

**NAME:** LED Retrofit Kit

**P/N:** SNC-CLH-54WA2

## Advantage

- SAA, CE, RoHS certificate
- PHILIPS LUMILEDS chip, high CRI.
- 90\*150 degree ; 150 degree.
- Internal driver, input voltage AC100-240V.
- E27, E40 lamp base. Single SUNON fan.
- Lamp Base: 270 degree rotated.
- New style and high efficient wide-range input.
- Long lifespan and good heat dissipation.
- Direct replacement for Metal Halide, easy Installation.
- Fits many different fixtures to replace traditional lamps.



## Application

LED Retrofit Kit make it simple to replace: parking lot lighting, shoebox lighting, street lighting, flood lighting, wall pack lighting, and canopy lighting etc.



# TECHNICAL DATA SHEET

PRODUCT SPECIFICATIONS		
Product name	LED Retrofit Kit	
Part No	SNC-CLH-54WA2	
Lamp Base	E27	E40
Dimension	233*113*80 MM	243*113*80 MM
Technical Characteristic		
Color temperature	2700-6500K	
CRI	> 70	
Lumen	6000-6800 LM	5700-6500 LM
Lumen Efficacy	110-125 LM/W	105-120 LM/W
Viewing Angle	90*150degree	150degree
Input Power	54W	
Input Voltage	AC100-240V 50/60Hz	
PF	>0.9	
Equivalent	120W CFL , 175W MHL/HPS/HID	
Waterproof Rating	IP51	
MATERIALS		
LED Brand	PHILIPS LUMILEDS	
LED Type	LUXEON 3030 2D ( 1.5W )	
LED QTY	112 PCS	
Housing	Magnesium Alloy+AL+PC	
Housing color	Black+Silver	
OTHERS		
Operating Temperature	-20°C TO 45°C	
Operating Humidity	20%-70% RH	
Storage Temperature	-30°C TO 80°C	
Storage Humidity	10%-75% RH	
Application	Shoebboxes, streetlights, floodlights, wall packs, and canopies	
Safety Certification	SAA、CE、RoHS	
Warranty Time	5 Years	

**SNC OPTO ELECTRONIC CO., LTD**

Tel: +86-755-29683009  
www.snc-lighting.com

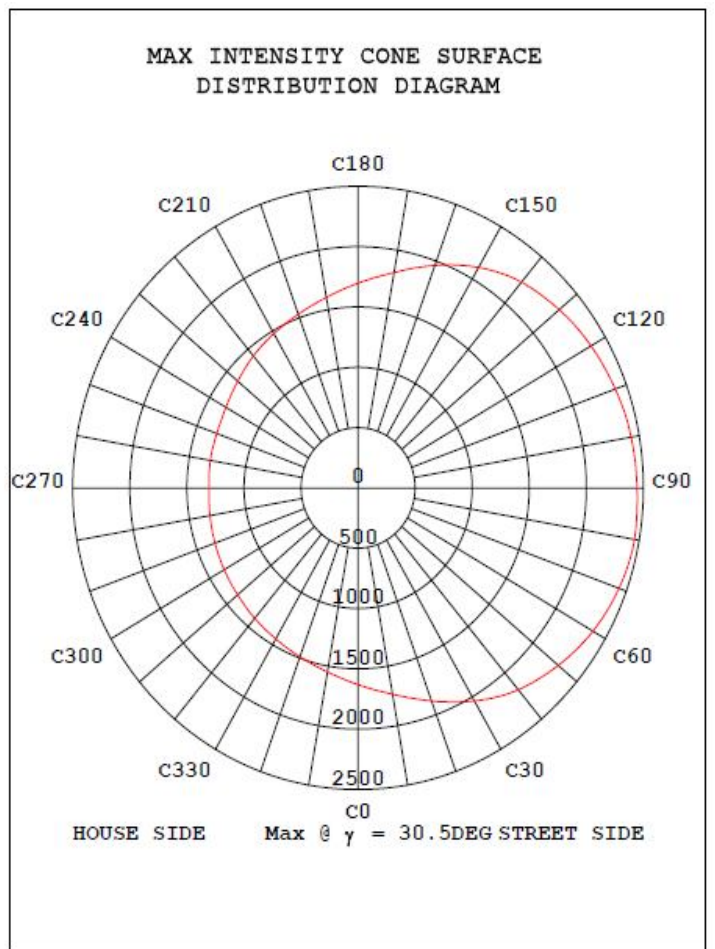
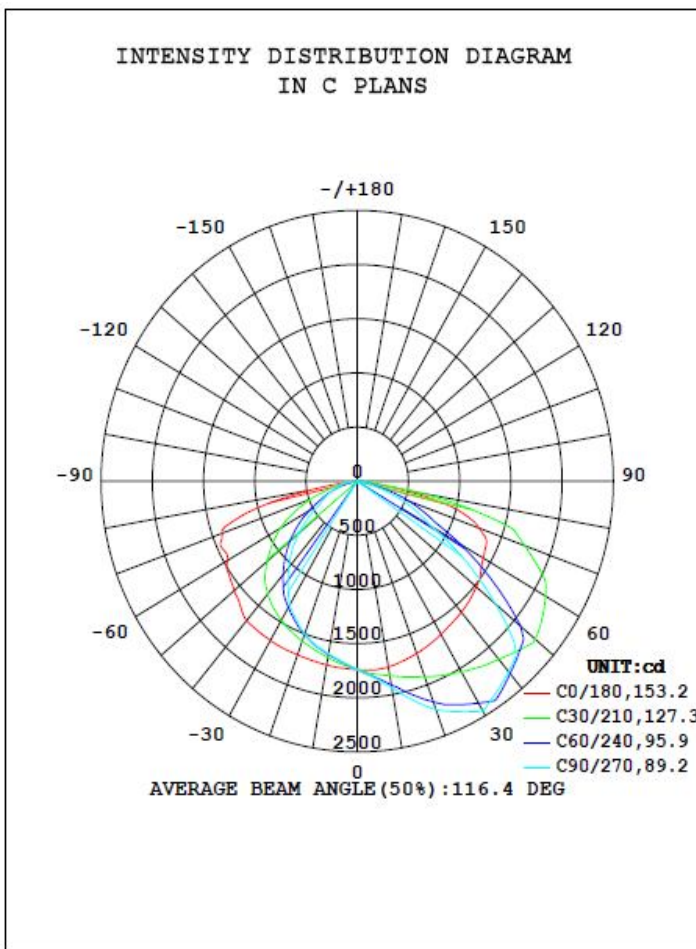
Fax: +86-755-29684853  
E-mail:sales@snc-led.com



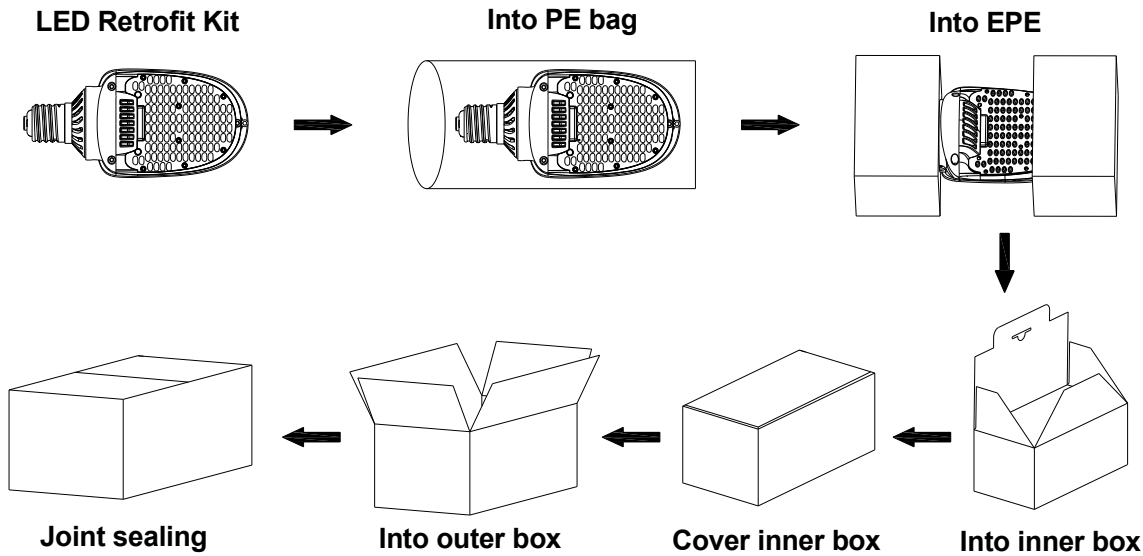
# TECHNICAL DATA SHEET

Remark: The testing data comes directly from the product test.

DATA OF LAMP		PHOTOMETRIC DATA    Eff: 123.65 lm/W			
MODEL		I <sub>max</sub> (cd)	2458	η street_up (%)	0.0
NOMINAL POWER (W)	54	LOR (%)	100.0	η street_down (%)	63.8
RATED VOLTAGE (V)	120	TOTAL FLUX (lm)	6697	η house_up (%)	0.0
NOMINAL FLUX (lm)	6696.84	MAXIMUM @ (C, γ )	80, 30.5	η house_down (%)	36.2
LAMPS INSIDE	1	η up (%)	0.0	76 FLASHAREA (m2)	0.05000
TEST VOLTAGE (V)	120	η down (%)	100.0	SLI	22.175



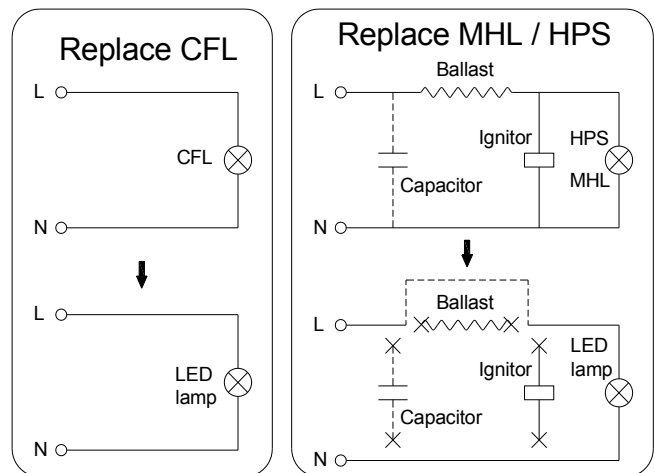
## Package



	Size	Qty/ Carton	Net Weight/ Carton	Gross Weight/ Carton
Inner box	290*135*105 MM	1 PC	0.75 KG	0.91 KG
Outer box	560*310*235 MM	8 PCS	6.0 KG	8.1 KG

## Notice For User

- Please turn off power before install or change assembly parts.
- The input voltage and lamps should be matched, after connecting the power line, please make sure the wiring section is insulated.
- Make sure to remove or bypass the ballast in the fixtures before install the lamps.
- Suitable for damp locations. Do not use with dimmers.
- Suitable for use in enclosed luminaires, min. lamp compartment dimensions: 420\*210\*210MM.
- No-professionals, must not install and disassemble the lamps.



## Trouble Shootings

Troubles	Check points
Flickering of the lamps	Turn off the power and turn on again in 3 minutes. If same phenomena occur, then call agencies
Out of working	Please check the connection