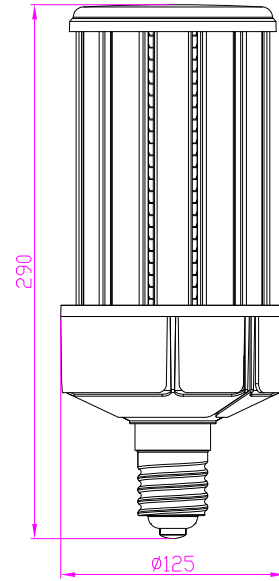




# TECHNICAL DATA SHEET



**NAME:** LED Corn Light

**Warning:** RCM, SAA certificate only for clear cover.

**P/N:** SNC-CLW-100WA1

## Advantage

- RCM, SAA, CE, RoHS certificate
- E40 lamp base
- Warm / Natural / Cool / Cold white
- 360 degree lighting, high CRI.
- IP64 Waterproof Rating
- Big heat sink, double SUNON fans.
- Can be with clear or frosted cover.
- Internal driver, input voltage AC100-240V.
- New style and high efficient wide-range input.
- Long lifespan and good heat dissipation.
- Direct replacement for Metal Halide, Easy Installation.
- Fits many different fixtures to replace traditional lamps.



## Application

Widely used in supermarket, warehouse, garage, home, office, hotel, hospital, school, street, garden etc.

**SNC OPTO ELECTRONIC CO., LTD**

Tel: +86-755-29683009  
www.snc-lighting.com

Fax: +86-755-29684853  
E-mail:sales@snc-led.com



# TECHNICAL DATA SHEET

<b>PRODUCT SPECIFICATIONS</b>		
Product name	LED Corn Light	
Light Type	Corn Light	
Part No	SNC-CLW-100WA1	
Dimension	Φ125*290 MM	
<b>Technical Characteristic</b>		
Cover	Clear	Frosted
Color temperature	2700-6500K	
CRI	> 80	
Lumen	11500-12500 LM	9500-10500 LM
Lumen Efficacy	115-125 LM/W	95-105 LM/W
Input Power	100 W	
Viewing Angle	360 degree	
Input Voltage	AC100-240V 50/60Hz	
PFC	>0.9	
Equivalent	200W CFL , 250W MHL/HPS/HID	
Waterproof Rating	IP64	
<b>MATERIALS</b>		
LED Brand	EPISTAR	
LED Type	SMD2835	
LED QTY	728 PCS	
Housing	PC+AL	
Housing color	White+Grey	
<b>OTHERS</b>		
Operating Temperature	-20°C TO 45°C	
Operating Humidity	20%-70% RH	
Storage Temperature	-30°C TO 80°C	
Storage Humidity	10%-75% RH	
Application	Indoor/Outdoor	
Safety Certification	RCM、SAA、CE、RoHS	
Warranty Time	5 Years	

**SNC OPTO ELECTRONIC CO., LTD**

Tel: +86-755-29683009  
www.snc-lighting.com

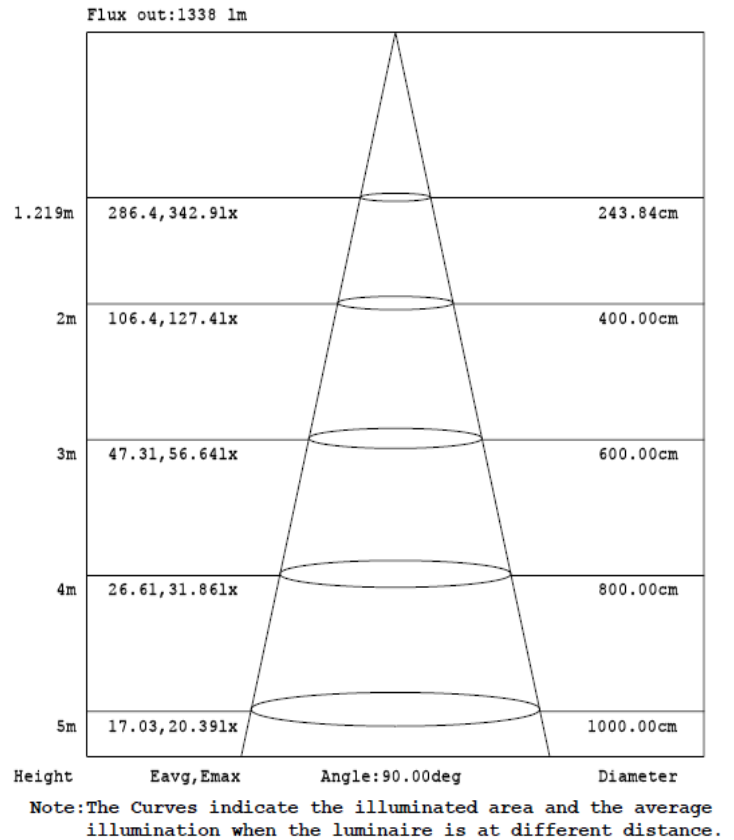
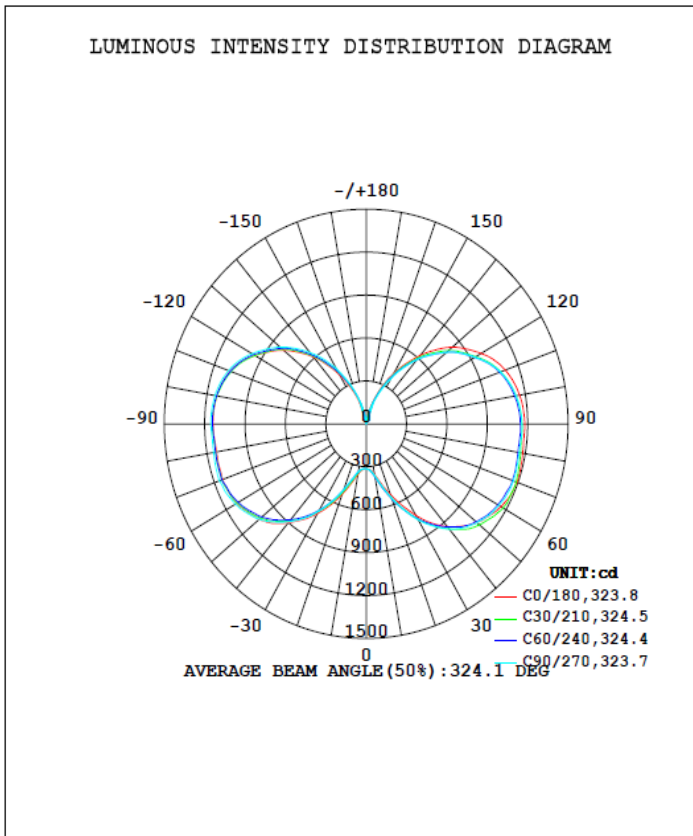
Fax: +86-755-29684853  
E-mail:sales@snc-led.com



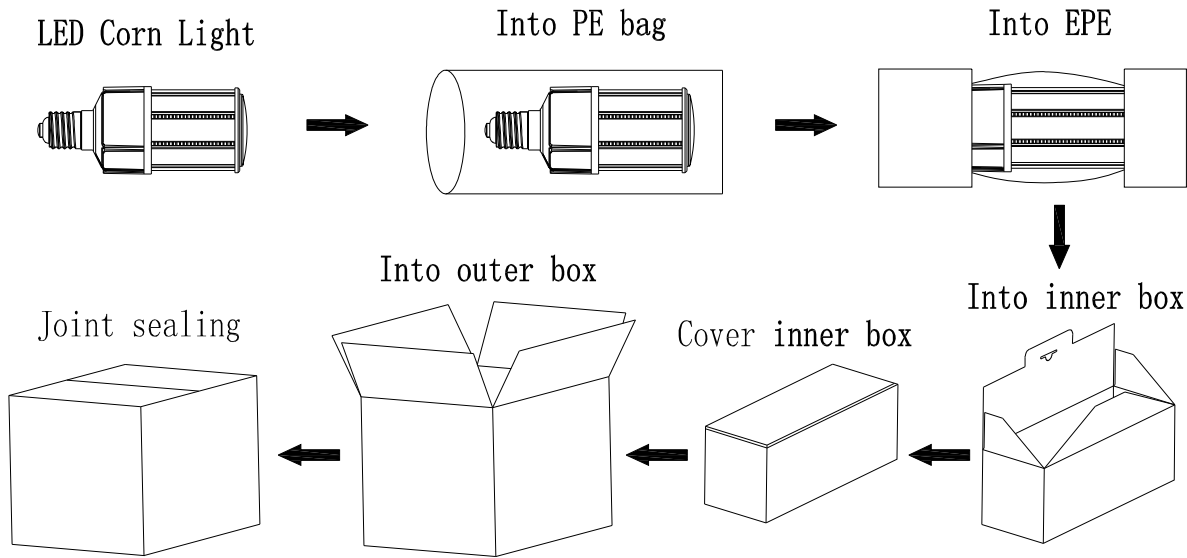
# TECHNICAL DATA SHEET

Remark: The testing data comes directly from the product test.

DATA OF LAMP		PHOTOMETRIC DATA      Eff: 122.61 lm/W			
MODEL		I <sub>max</sub> (cd)	1213	S/MH (C0/180)	3.15
NOMINAL POWER (W)	100W	LOR (%)	100.0	S/MH (C90/270)	3.16
RATED VOLTAGE (V)	230V	TOTAL FLUX (lm)	11751	η UP, DN (C0-180)	22.5, 27.5
NOMINAL FLUX (lm)	11751	CIE CLASS	DIFFUSE	η UP, DN (C180-360)	23.0, 26.9
LAMPS INSIDE	1	η up (%)	45.5	CIBSE SHR NOM	2.00
TEST VOLTAGE (V)	230V	η down (%)	54.5	CIBSE SHR MAX	0.00



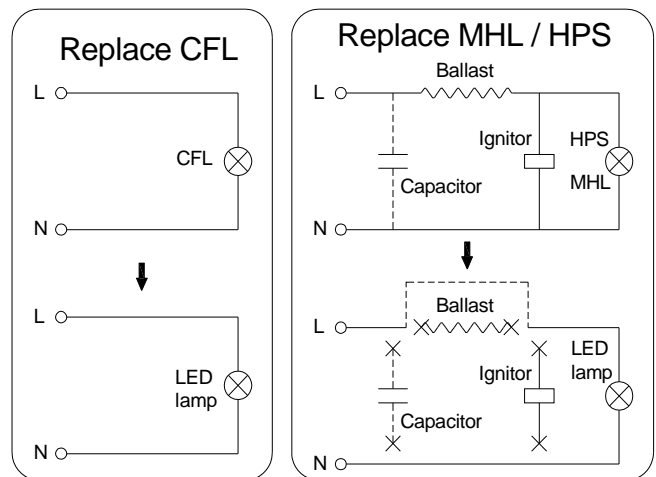
## Package



	Size	Qty/ Carton	Net Weight/ Carton	Gross Weight/ Carton
Inner box	320*150*150 MM	1 PC	1.13 KG	1.33 KG
Outer box	465*315*340 MM	6 PCS	6.8 KG	8.8 KG

## Notice For User

- Please turn off power before install or change assembly parts.
- The input voltage and lamps should be matched, after connecting the power line, please make sure the wiring section is insulated.
- Make sure to remove or bypass the ballast in the fixtures before install the lamps.
- Suitable for damp locations. Do not use with dimmers.
- Suitable for use in enclosed luminaires, min. lamp compartment dimensions: 440\*240\*240MM.
- No-professionals, must not install and disassemble the lamps.



## Trouble Shootings

Troubles	Check points
Flickering of the lamps	Turn off the power and turn on again in 3 minutes. If same phenomena occur, then call agencies
Out of working	Please check the connection