



**CPE SYSTEMS
INCORPORATED**

RVN HELICOIDAL CENTRIFUGAL PUMP

FOR CRAFT FOOD AND BEVERAGE INDUSTRIES

PUMPS

-

HOSES

-

HEAD EXCHANGERS

-

FLOW METERS

-

GASKETS

-

VALVES

-

FITTINGS

-

THERMOMETERS

-

PORTABLE SYSTEMS

-

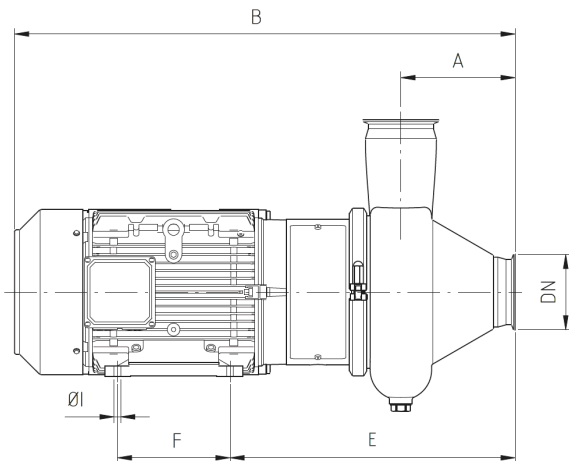
AND MORE



The RVN is a centrifugal pump fitted with a helicoidal impeller. The RVN is the perfect wine must or beer wort pump, but it can also find its use in distilleries, and other craft food applications. This pump is ideal for pumping liquids with semi-solids, specifically, mash and must. It is also designed to transfer pieces of fruit or whole fruits, and other solids. The design of the pump allows for high capacity and minimum destruction of the solid parts.

Design

RVN is a range of close-coupled centrifugal pumps, characterized by compact design, high efficiency (>70%) and low energy consumption. It is made of a pump casing with drain port, helicoidal impeller, mechanical seal, lantern and shaft, connected to the motor shaft by mechanical compression. Thanks to the helicoidal shape of the impeller, the flow is optimized to avoid the obstruction of the pump, allowing solid particles to pass through without being damaged. The RVN centrifugal pump features an internal single mechanical seal; the stationary and rotary parts are silicon carbide, and the gaskets are EPDM.



Features

- Mechanical seal
- Drain port
- NEMA Stainless Steel washdown motor
- Helicoidal impeller
- CIPable

Horsepower

Horsepower	Flow Rate	Head
1 1/2 HP	150 GPM	30 ft
5 HP	350 GPM	50 ft
10 HP	790 GPM	70 ft

Technical Specifications

Materials

Parts in contact with product:	Stainless steel AISI 316L
Other steel parts:	Stainless steel AISI 304
Gaskets in contact with product:	EPDM

Mechanical seal

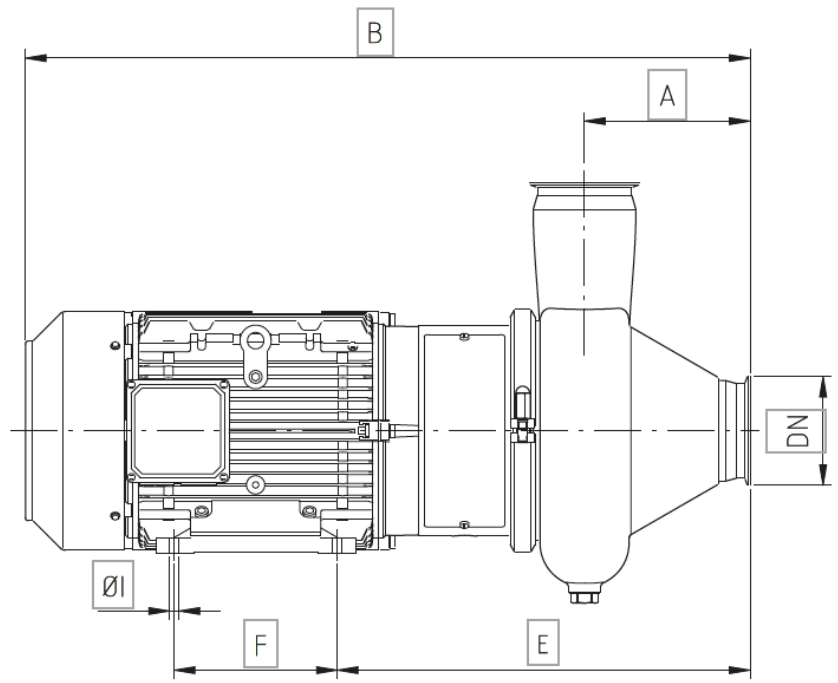
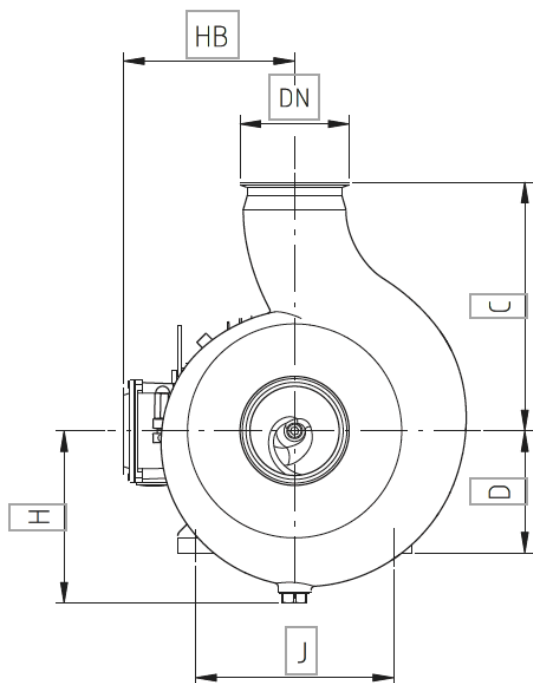
Rotary seal:	Silicon Carbide (SiC)
Stationary seal:	Silicon Carbide (SiC)
Gaskets:	EPDM

External surface finish:	Matte
Internal surface finish:	Ra<0,8 µm
Connections:	RVN 65: 2 ^{1/2} " Tri-Clamp RVN 80: 3" Tri-Clamp RVN 100: 4" Tri-Clamp
Motor:	S.S. Premium Efficiency Nema C Face

Operating limits

Temperature range:	14 °F to 248 °F 284 °F (SIP, max. 30 min.)
Maximum flow:	790 US GPM
Maximum differential head:	72 ft
Maximum speed:	1800 rpm

PUMP	Ø SOLIDS	HP	DN	A	B	C	D	E	F	H	HB	ØI	J	WEIGHT
RV-65	1,7	1,5	2 1/2"	4,86	21,26	8,60	3,50	12,78	5,00	5,12	5,90	0,34	5,50	57 LBS
RV-80	2,3	5	3"	6,73	25,59	9,80	4,50	15,35	5,50	6,50	7,03	0,41	7,50	128 LBS
RV-100	3	10	4"	7,11	31,13	10,69	5,25	17,71	7,00	7,40	7,48	0,41	8,50	205 LBS





Performance Charts

