



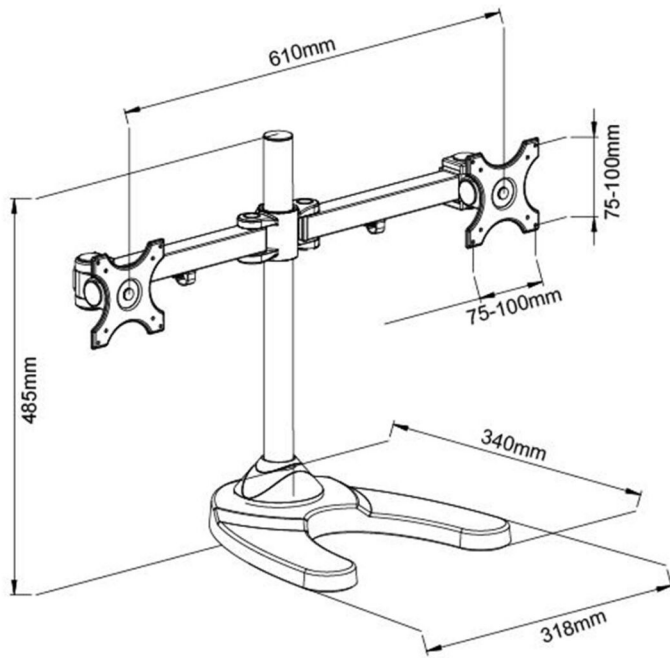
Freestanding Desk Mount for Dual Monitors

2MSFH 2.0



It's a monitor stand for dual monitors lined up in horizontal from size 13" to 24" with weight capacity of 10kg each . Your precious desk space can be saved with this set up. You can adjust the monitor height and view angle freely with this stand. The connecting cables can be arranged neatly by provided wire clips both on pole and arm. The weighted base comes with grommet mounting option, so you can put the stand on the desk freely or mount the stand through the cable routing hole in the desk.

## Dimensions



## Features

- 1 Place the monitors on the desktop freely with weighted base.
- 2 Wide selection for different monitor quantity to meet most applications.
- 3 With fully adjustable construction, you can tilt, swivel and rotate the monitors for maximum viewing flexibility.
- 4 Solid aluminum and heavy gauge steel construction for stable installation.



## Contact us



Address 1: Ergonomic Corporation Hongkong Limited, 2nd Floor, Eton Tower, 8th Hysen Avenue Causeway Bay, Hong Kong  
Address 2: Room No. 25, Block B, 5th Floor, Mai Tak Industrial Building, 221 Wai Yip Street, Kwun Tong, Kowloon, Hong Kong  
E-mail: sales@ergoshopping.com, Website: www.ergoshopping.com, Tel: 852-98226451