

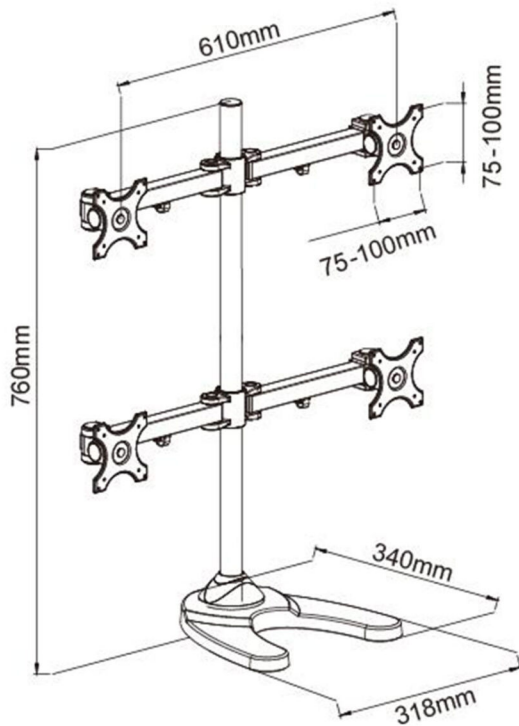


Freestanding Desk Mount for Quad Monitors

4MSFB 2.0



Dimensions



Features

- 1 Place the monitors on the desktop freely with weighted base.
- 2 Wide selection for different monitor quantity to meet most applications.
- 3 With fully adjustable construction, you can tilt, swivel and rotate the monitors for maximum viewing flexibility.
- 4 Solid aluminum and heavy gauge steel construction for stable installation.



Contact us

Ergonomic
Comfort & Style

Address 1: Ergonomic Corporation Hongkong Limited, 2nd Floor, Eton Tower, 8th Hysen Avenue Causeway Bay, Hong Kong
Address 2: Room No. 25, Block B, 5th Floor, Mai Tak Industrial Building, 221 Wai Yip Street, Kwun Tong, Kowloon, Hong Kong

E-mail: sales@ergoshopping.com, Website: www.ergoshopping.com, Tel: 852-98226451