

ARTICULATING DUAL ARM WALL MOUNT | **MODEL: R504**

Up & down tilt degree: $-2/+15^{\circ}$
Right & left swivel degree: 180 degree.





The wall mount has heavy steel construction, maximum loading capacity to 60 kg.

Fits most 32-72 inch TV with mounting hole patterns 200x100 to 600 x 400mm.



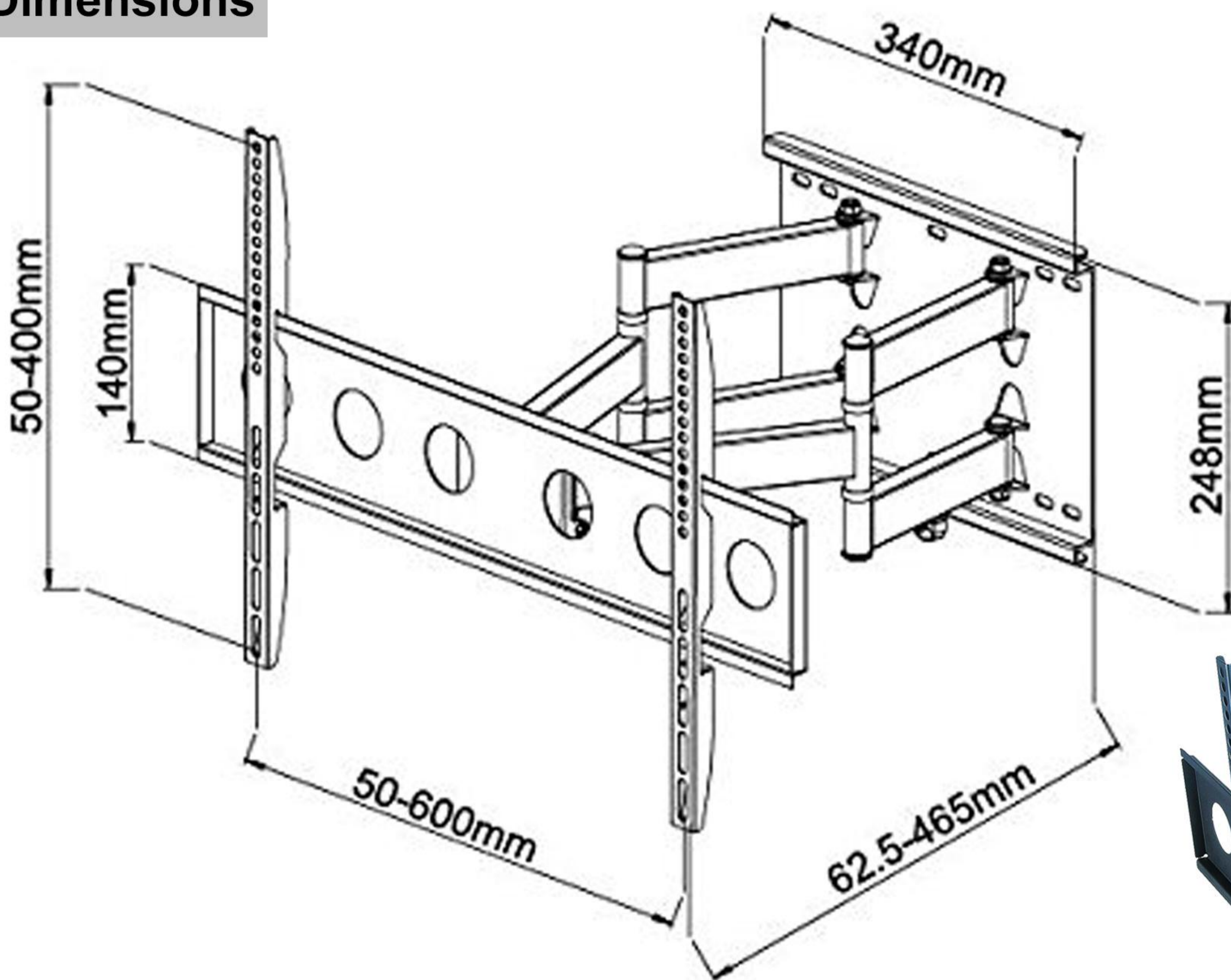
 Safety screw was used to avoid the movement of TVs after you hang it on the wall bracket.

Single articulating arm can achieve 180° turning for the TV, it's the best solution if you want to use the TV both in living room and dinning room. 

 Tilting system can achieve -2 to $+12$ angle adjustment.

Allow $+2$ degree lateral roll to ensure TV is perfectly level after hanging. 

Dimensions



Adjustable Tilt Swivel Full Motion with VESA up to 600x400 mm for 32- 60-inch LCD LED Plasma TV Flat Screen.



Description

Fits most 32-72 inch TV with mounting hole patterns 200x100 to 600 x 400mm. The wall mount has heavy steel construction, maximum loading capacity to 60 kg. Front and back telescoping distance (TV to wall distance) is 62.5 cm -46.5 cm.

Features

- Fits most 32-72 inch TV with mounting hole patterns 200x100 to 600 x 400mm.
- Heavy steel construction, maximum loading capacity to 60 kg.
- Up & down tilt degree: $-2/+15^{\circ}$ Right & left swivel degree: 180 degree.
- Front & back Telescoping distance(tv to wall distance):62.5 cm -46.5 cm.
- Wire Management included

Contact us



Address 1: Ergonomic Corporation Hongkong Limited, 2nd Floor, Eton Tower, 8th Hysen Avenue Causeway Bay, Hong Kong.

Address 2: Room no. 25, Block B, 5 Floor, Mai Tak Industrial building, 221 Wai Yip Street, Kwun Tong, Kowloon, Hong Kong.

E-mail: sales@ergoshopping.com | **Website:** www.ergoshopping.com | **Tel:** 852-98226451