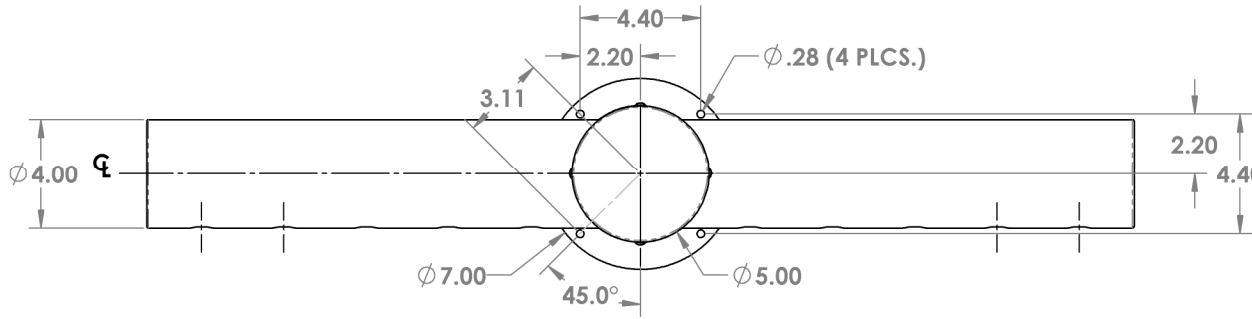


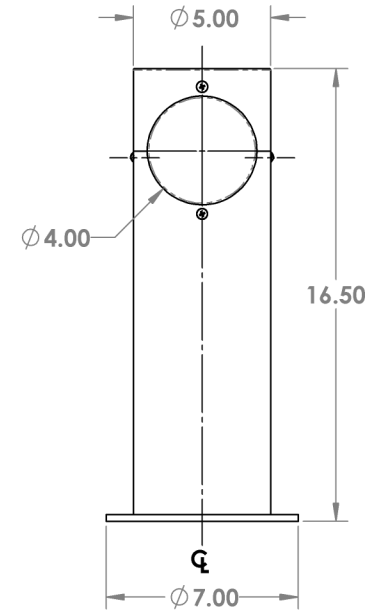
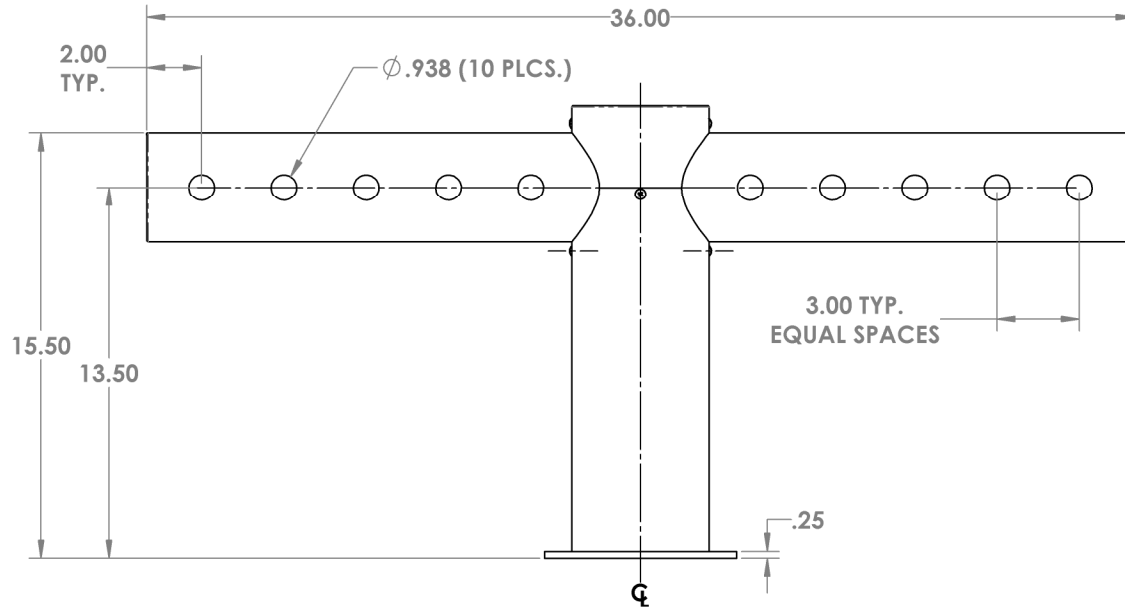
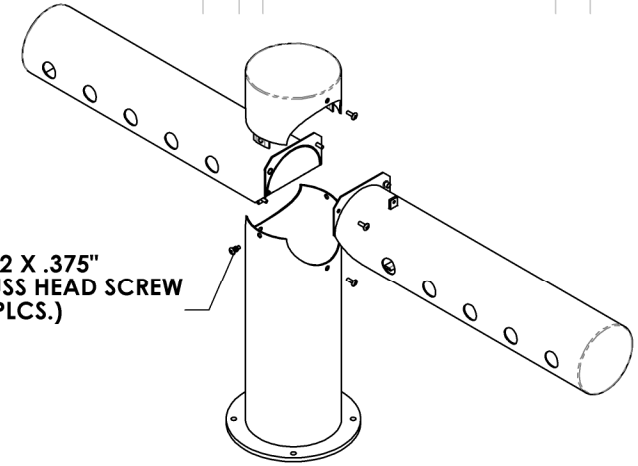
CHANGE DIMENSIONS AS NEEDED FOR CUSTOM TOWERS

| REV. NO. | | REVISIONS | DATE | APPROVED |
|----------|--|-----------|------|----------|
| | | | | |
| | | | | |

Precision Sheet Metal
 Design ♦ Engineering ♦ Fabrication
 www.acumetalfab.com



**8-32 X .375"
 TRUSS HEAD SCREW
 (8 PLCS.)**



NOTES:

**ALL DIMENSIONS ARE OUTSIDE DIMENSIONS
 (UNLESS OTHERWISE NOTED)**

MATERIAL:

- Ø 4.00 X .06 WALL 304 STAINLESS STEEL TUBE
- Ø 5.00 X .06 WALL 304 STAINLESS STEEL TUBE

PROPRIETARY AND CONFIDENTIAL
 THE INFORMATION CONTAINED IN THIS DRAWING IS THE SOLE PROPERTY OF ACU PRECISION SHEET METAL. ANY REPRODUCTION IN PART OR AS A WHOLE WITHOUT THE WRITTEN PERMISSION OF ACU PRECISION SHEET METAL IS PROHIBITED.
 ACU PRECISION SHEET METAL IS:
 AMERICAN COFFEE URN MANUFACTURING CO., INC

| | | |
|----------|----------------|----------|
| | BASE TUBE | 41025-08 |
| | TOP TUBE | 41025-20 |
| | RIGHT TEE TUBE | 41025-26 |
| | LEFT TEE TUBE | 41025-27 |
| | NAME | DATE |
| DRAWN | L. WILLIAMS | 03/18 |
| MATERIAL | SEE NOTES | |
| FINISH | #4 BRUSHED | |

PART # 41025-T36

| TITLE: | |
|---|--|
| 4 X 5 METRO TEE TOWER 10 HOLE, 36" TEE TOWER | |
| AMERICAN COFFEE URN | |