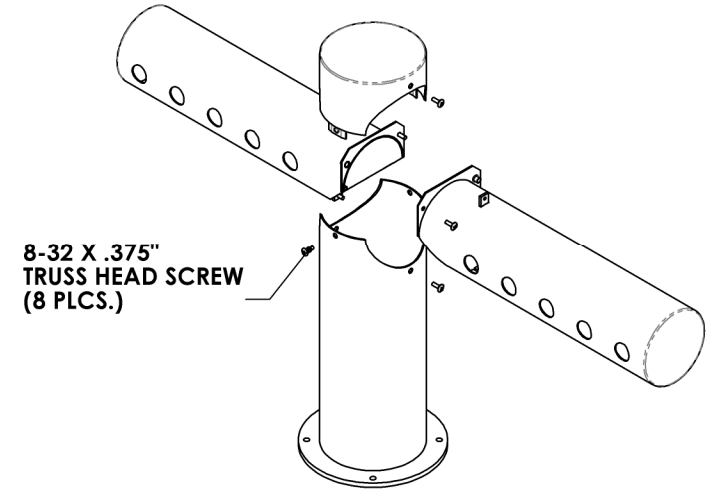
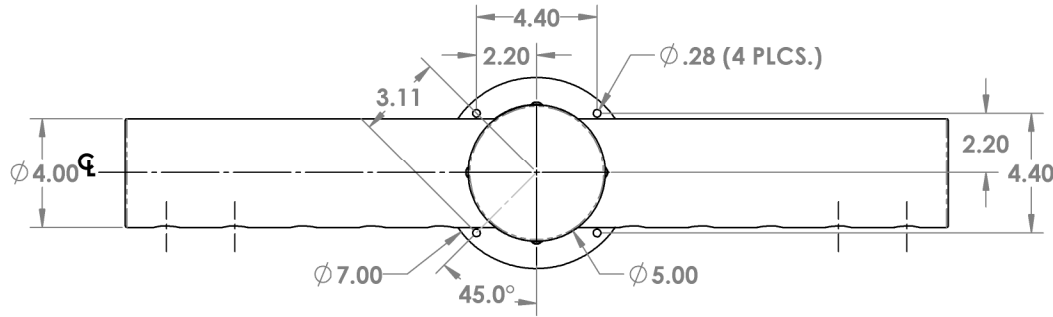


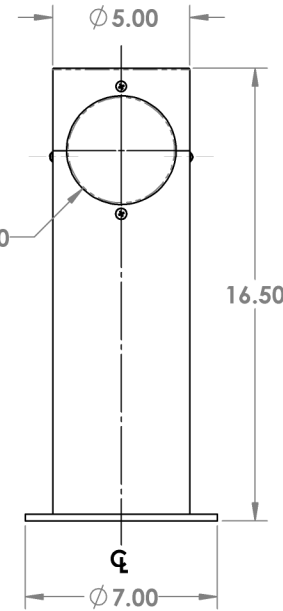
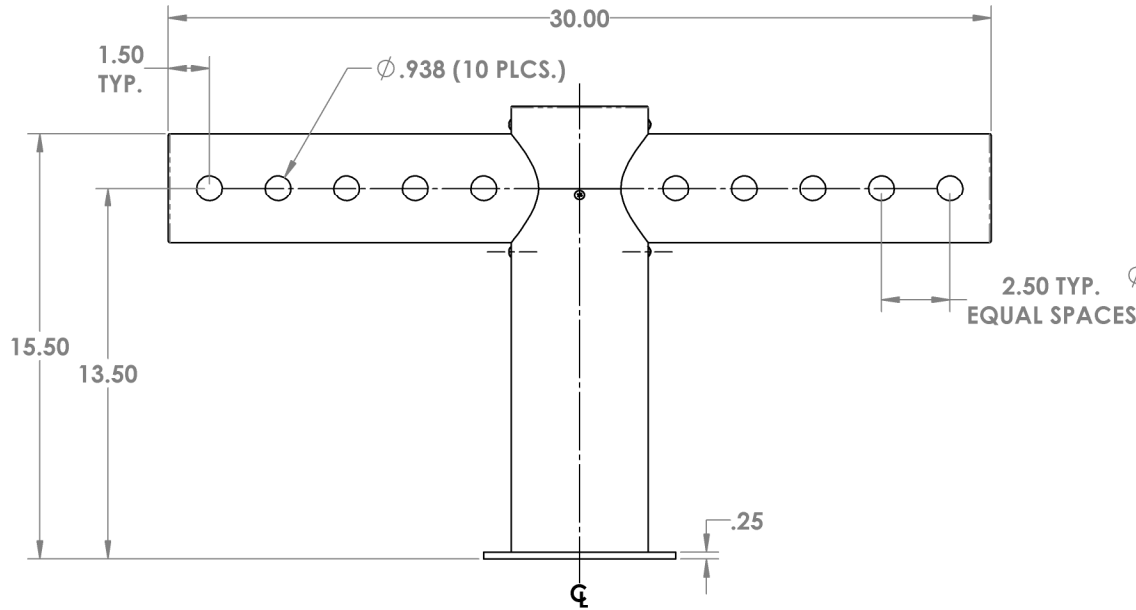
CHANGE DIMENSIONS AS NEEDED FOR CUSTOM TOWERS

REV. NO.		REVISIONS	DATE	APPROVED

Precision Sheet Metal
 Design ♦ Engineering ♦ Fabrication
 www.acumetalfab.com



**8-32 X .375"
 TRUSS HEAD SCREW
 (8 PLCS.)**



NOTES:

**ALL DIMENSIONS ARE OUTSIDE DIMENSIONS
 (UNLESS OTHERWISE NOTED)**

MATERIAL:

- Ø 4.00 X .06 WALL 304 STAINLESS STEEL TUBE
- Ø 5.00 X .06 WALL 304 STAINLESS STEEL TUBE

PROPRIETARY AND CONFIDENTIAL
 THE INFORMATION CONTAINED IN THIS DRAWING IS THE SOLE PROPERTY OF ACU PRECISION SHEET METAL. ANY REPRODUCTION IN PART OR AS A WHOLE WITHOUT THE WRITTEN PERMISSION OF ACU PRECISION SHEET METAL IS PROHIBITED.
 ACU PRECISION SHEET METAL IS:
 AMERICAN COFFEE URN MANUFACTURING CO., INC

BASE TUBE	41025-08
TOP TUBE	41025-20
RIGHT TEE TUBE	41025-18
LEFT TEE TUBE	41025-19
NAME	DATE
DRAWN L. WILLIAMS	03/18
MATERIAL	SEE NOTES
FINISH	#4 BRUSHED

PART # 41025-TSP30

TITLE:	4 X 5 METRO TEE TOWER 10 HOLE, SP 30" TEE TOWER (2.5C)
	AMERICAN COFFEE URN