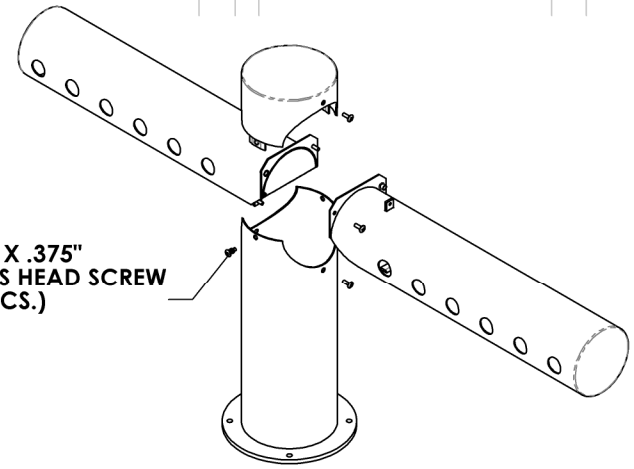
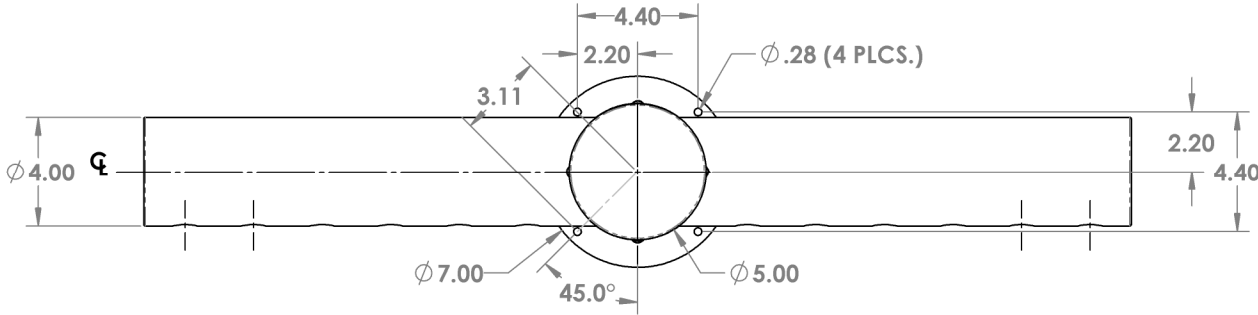


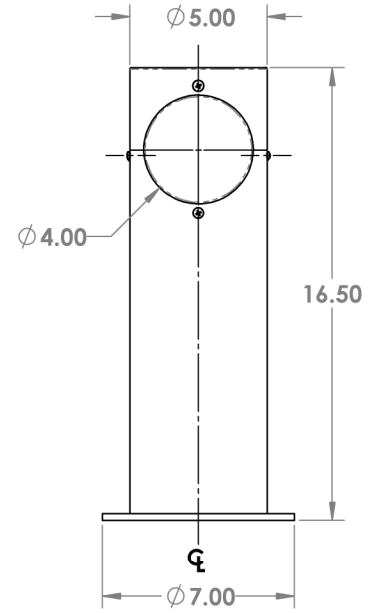
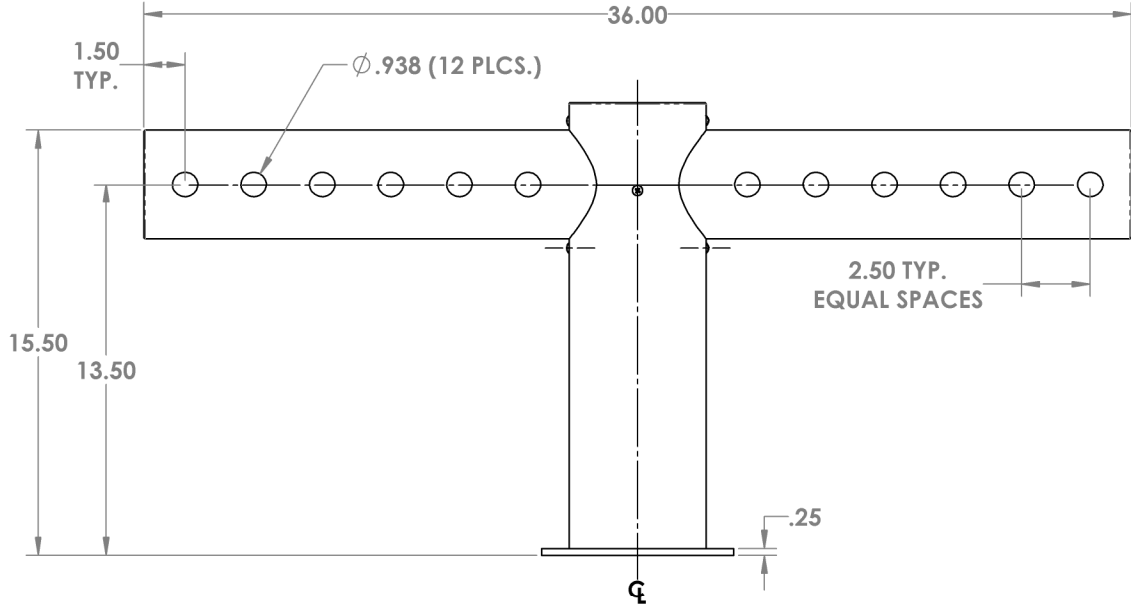
**CHANGE DIMENSIONS AS NEEDED FOR CUSTOM TOWERS**

| REV. NO. |  | REVISIONS | DATE | APPROVED |
|----------|--|-----------|------|----------|
|          |  |           |      |          |
|          |  |           |      |          |

**Precision Sheet Metal**  
 Design ♦ Engineering ♦ Fabrication  
 www.acumetalfab.com



**8-32 X .375" TRUSS HEAD SCREW (8 PLCS.)**



**NOTES:**

**ALL DIMENSIONS ARE OUTSIDE DIMENSIONS (UNLESS OTHERWISE NOTED)**

**MATERIAL:**

- Ø 4.00 X .06 WALL 304 STAINLESS STEEL TUBE
- Ø 5.00 X .06 WALL 304 STAINLESS STEEL TUBE

PROPRIETARY AND CONFIDENTIAL  
 THE INFORMATION CONTAINED IN THIS DRAWING IS THE SOLE PROPERTY OF ACU PRECISION SHEET METAL. ANY REPRODUCTION IN PART OR AS A WHOLE WITHOUT THE WRITTEN PERMISSION OF ACU PRECISION SHEET METAL IS PROHIBITED.  
 ACU PRECISION SHEET METAL IS : AMERICAN COFFEE URN MANUFACTURING CO., INC

|          | NAME        | DATE  |
|----------|-------------|-------|
| DRAWN    | L. WILLIAMS | 03/18 |
| MATERIAL | SEE NOTES   |       |
| FINISH   | #8 POLISHED |       |

|                |          |
|----------------|----------|
| BASE TUBE      | 81026-08 |
| TOP TUBE       | 81026-20 |
| RIGHT TEE TUBE | 81026-28 |
| LEFT TEE TUBE  | 81026-29 |

**PART # 81026-TSP36**

| TITLE:  |
|---|
| <b>4 X 5 METRO TEE TOWER<br/>12 HOLE, SP 36" TEE TOWER (2.5C)</b> |
| <b>AMERICAN COFFEE URN</b>  |