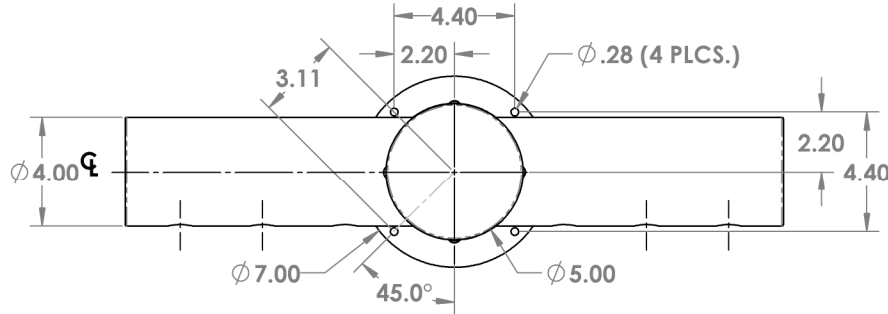


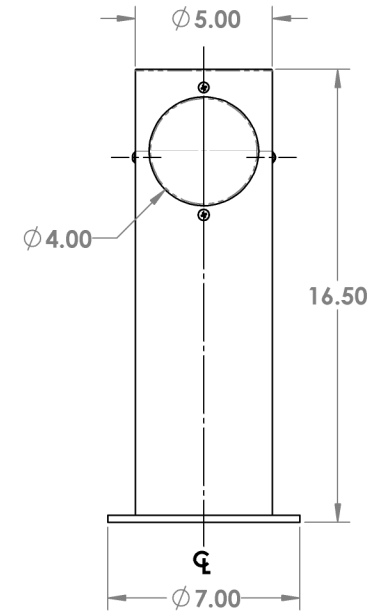
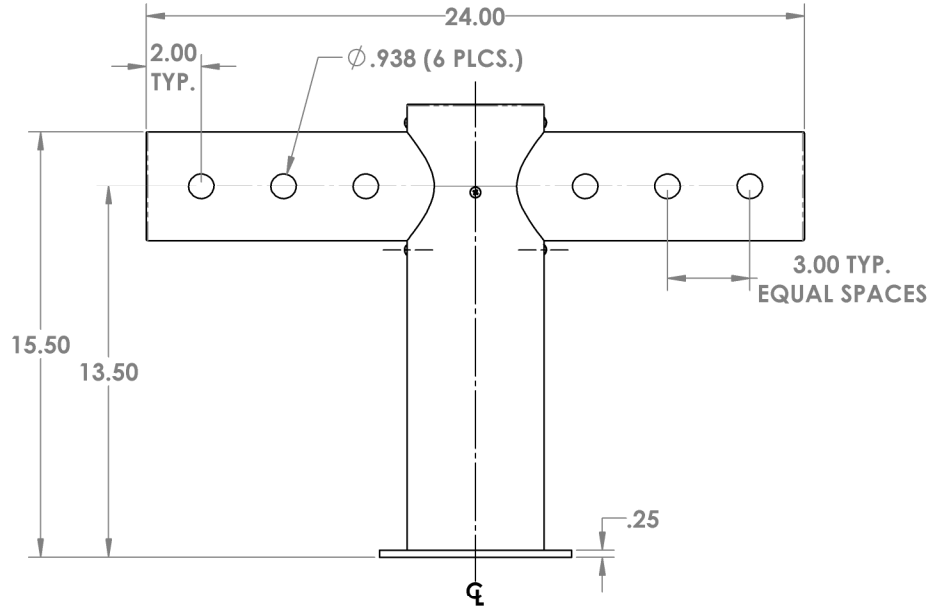
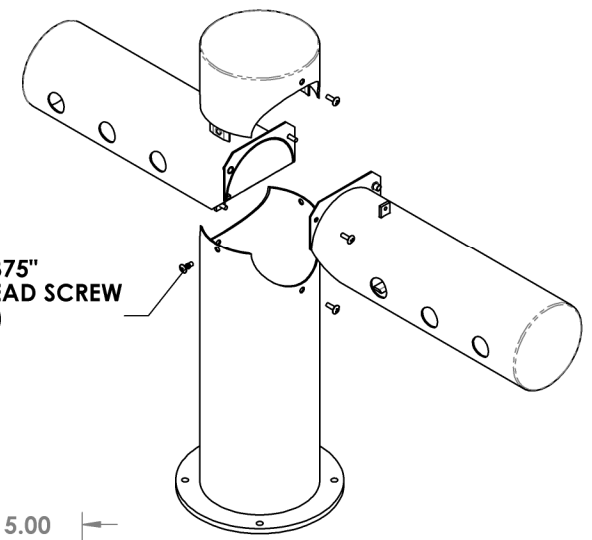
CHANGE DIMENSIONS AS NEEDED FOR CUSTOM TOWERS

| REV. NO. | | REVISIONS | DATE | APPROVED |
|----------|--|-----------|------|----------|
| | | | | |
| | | | | |

Precision Sheet Metal
 Design ♦ Engineering ♦ Fabrication
 www.acumetalfab.com



8-32 X .375"
 TRUSS HEAD SCREW
 (8 PLCS.)



NOTES:

**ALL DIMENSIONS ARE OUTSIDE DIMENSIONS
 (UNLESS OTHERWISE NOTED)**

MATERIAL:

- Ø 4.00 X .06 WALL 304 STAINLESS STEEL TUBE
- Ø 5.00 X .06 WALL 304 STAINLESS STEEL TUBE

PROPRIETARY AND CONFIDENTIAL
 THE INFORMATION CONTAINED IN THIS DRAWING IS THE SOLE PROPERTY OF ACU PRECISION SHEET METAL. ANY REPRODUCTION IN PART OR AS A WHOLE WITHOUT THE WRITTEN PERMISSION OF ACU PRECISION SHEET METAL IS PROHIBITED.
 ACU PRECISION SHEET METAL IS:
 AMERICAN COFFEE URN MANUFACTURING CO., INC

| | |
|----------------|-------------|
| BASE TUBE | 41025-08 |
| TOP TUBE | 41025-20 |
| RIGHT TEE TUBE | 41025-12 |
| LEFT TEE TUBE | 41025-13 |
| DRAWN | L. WILLIAMS |
| MATERIAL | SEE NOTES |
| FINISH | #4 BRUSHED |

PART # 41025-T24

| NAME | DATE | TITLE: |
|-------------|-------|--|
| L. WILLIAMS | 03/18 | 4 X 5 METRO TEE TOWER 6 HOLE, 24" TEE TOWER |
| | | AMERICAN COFFEE URN |