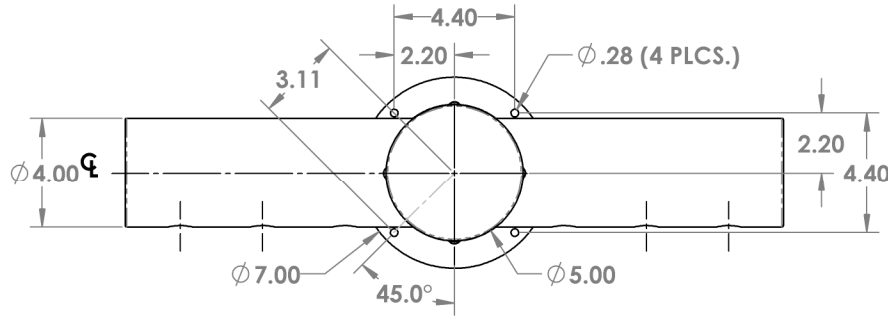


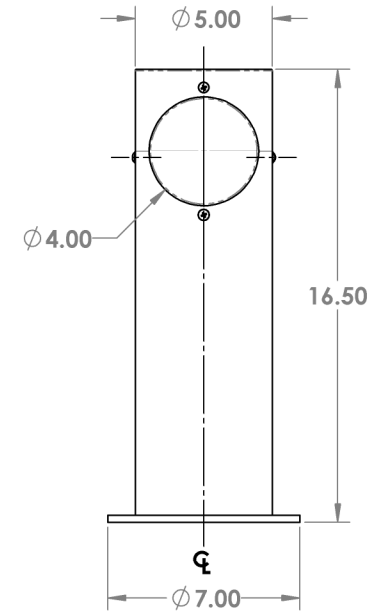
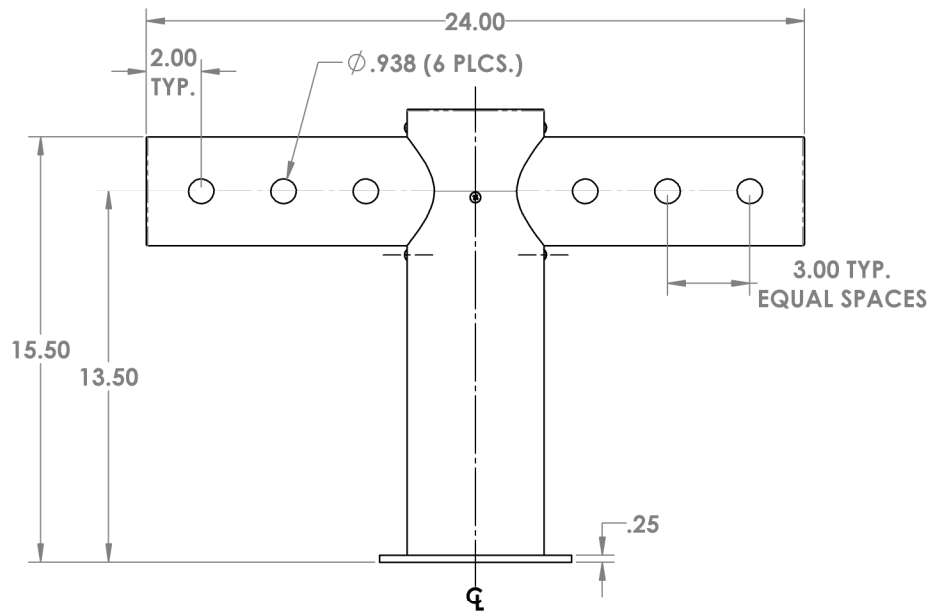
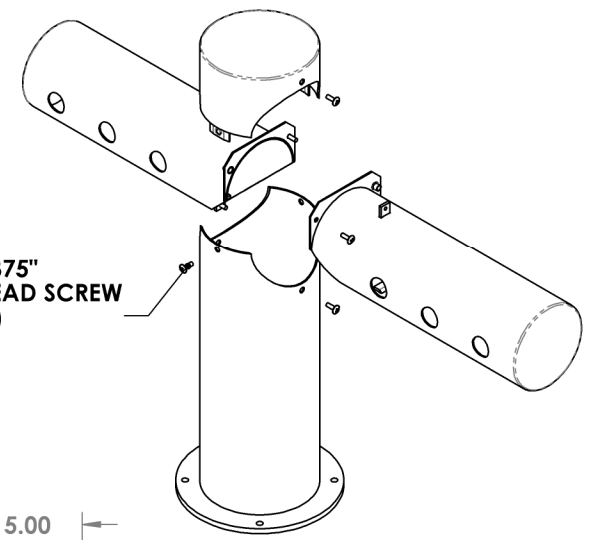
**CHANGE DIMENSIONS AS NEEDED FOR CUSTOM TOWERS**

REV. NO.		REVISIONS	DATE	APPROVED

**Precision Sheet Metal**  
 Design ♦ Engineering ♦ Fabrication  
 www.acumetalfab.com



**8-32 X .375" TRUSS HEAD SCREW (8 PLCS.)**



**NOTES:**  
 ALL DIMENSIONS ARE OUTSIDE DIMENSIONS (UNLESS OTHERWISE NOTED)

**MATERIAL:**  
 Ø 4.00 X .06 WALL 304 STAINLESS STEEL TUBE  
 Ø 5.00 X .06 WALL 304 STAINLESS STEEL TUBE

**www.acumetalfab.com**

PROPRIETARY AND CONFIDENTIAL  
 THE INFORMATION CONTAINED IN THIS DRAWING IS THE SOLE PROPERTY OF ACU PRECISION SHEET METAL. ANY REPRODUCTION IN PART OR AS A WHOLE WITHOUT THE WRITTEN PERMISSION OF ACU PRECISION SHEET METAL IS PROHIBITED.  
 ACU PRECISION SHEET METAL IS : AMERICAN COFFEE URN MANUFACTURING CO., INC

BASE TUBE	81026-08
TOP TUBE	81026-20
RIGHT TEE TUBE	81026-12
LEFT TEE TUBE	81026-13

**PART # 81026-T24**

	NAME	DATE
DRAWN	L. WILLIAMS	03/18
MATERIAL	SEE NOTES	
FINISH	#8 POLISHED	

TITLE:	<b>4 X 5 METRO TEE TOWER 6 HOLE, 24" TEE TOWER</b>
	<b>AMERICAN COFFEE URN</b>

DO NOT SCALE DRAWING