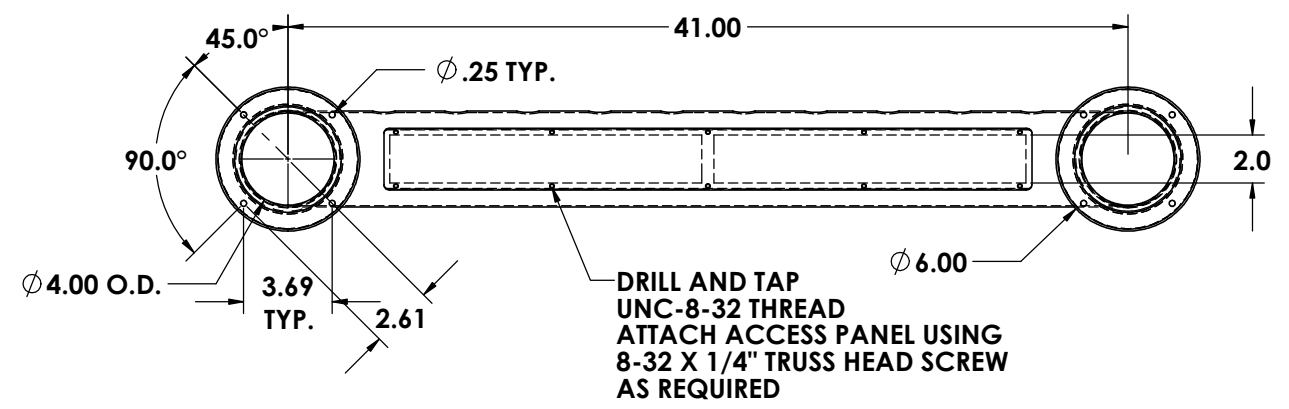
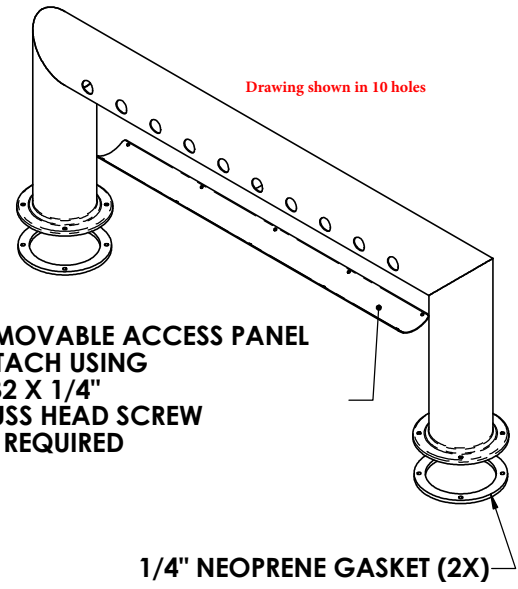
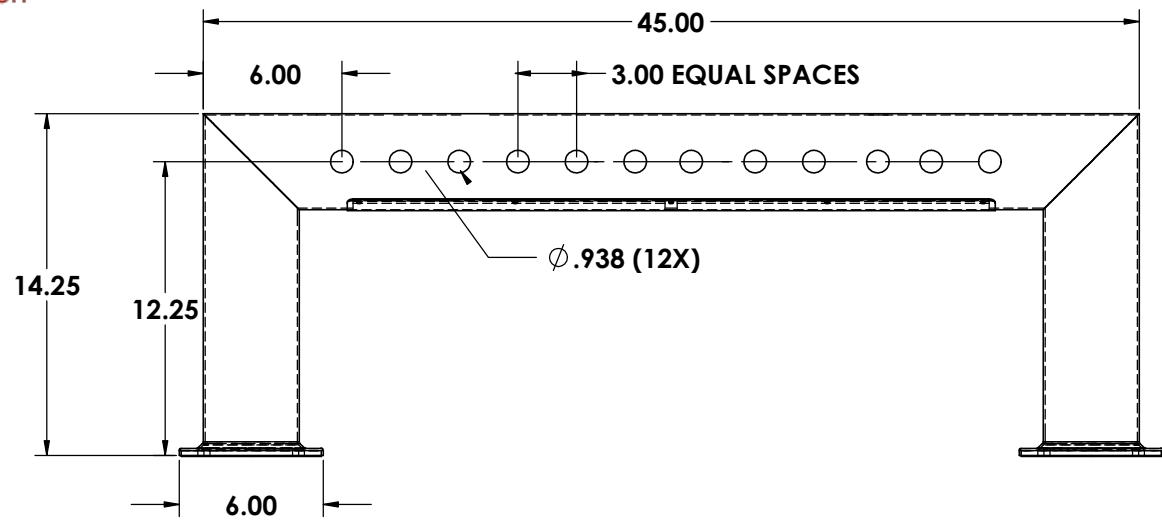


ZONE		REV.	REVISIONS	DESCRIPTION	DATE	APPROVED



ALL DIMENSIONS ARE INSIDE DIMENSIONS  
 UNLESS OTHERWISE NOTED

MATERIAL :  
 4" X .060 WALL STAINLESS STEEL

FINISHES :  
 #4 BRUSHED ON ALL TYPES

**Part #1024-45**

<b>Proprietary and Confidential</b> The Information contained in this drawing is the sole property of ACU Precision Sheet Metal. Any reproduction in part or as a whole without the written permission of ACU Precision Sheet Metal is Prohibited. ACU Precision Sheet Metal is: American Coffee Urn Manufacturing Co., Inc.	NAME	DATE	TITLE:	
	DRAWN	M. Johs		07/14
	MATERIAL	SEE NOTES		<b>4" PASS THROUGH TOWER</b> <b>12 FAUCET HOLES</b> <b>AMERICAN COFFEE URN</b>
	FINISH	SEE NOTES	COMMENTS:	
DO NOT SCALE DRAWING				