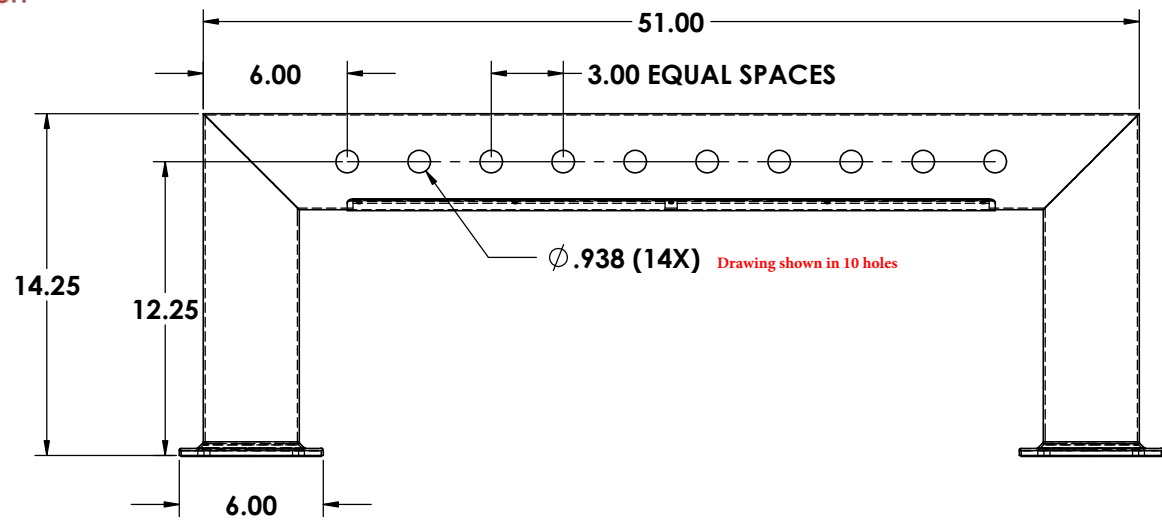
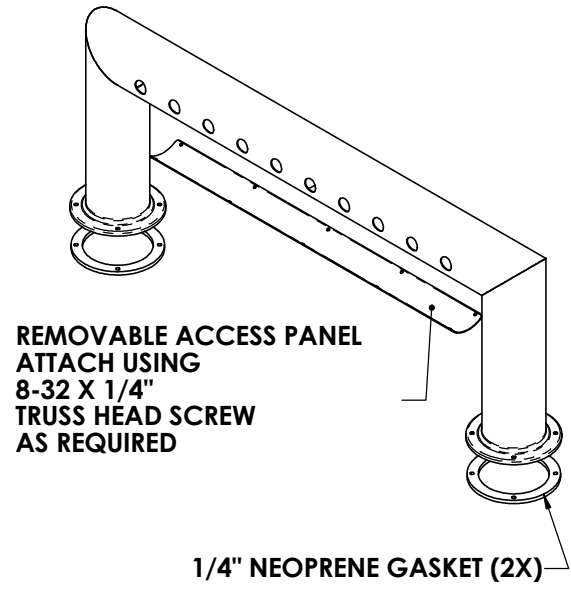


ZONE		REV.	REVISIONS	DATE	APPROVED
			DESCRIPTION		



Drawing shown in 10 holes

φ .938 (14X) Drawing shown in 10 holes



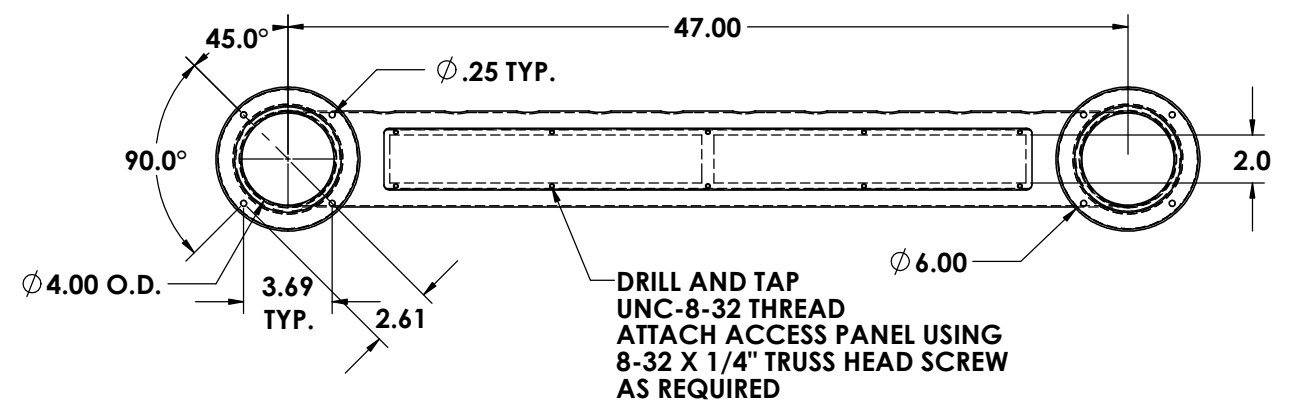
REMOVABLE ACCESS PANEL
 ATTACH USING
 8-32 X 1/4"
 TRUSS HEAD SCREW
 AS REQUIRED

1/4" NEOPRENE GASKET (2X)

ALL DIMENSIONS ARE INSIDE DIMENSIONS
 UNLESS OTHERWISE NOTED

MATERIAL :
 4" X .060 WALL STAINLESS STEEL

FINISHES :
 #4 BRUSHED ON ALL TYPES



DRILL AND TAP
 UNC-8-32 THREAD
 ATTACH ACCESS PANEL USING
 8-32 X 1/4" TRUSS HEAD SCREW
 AS REQUIRED

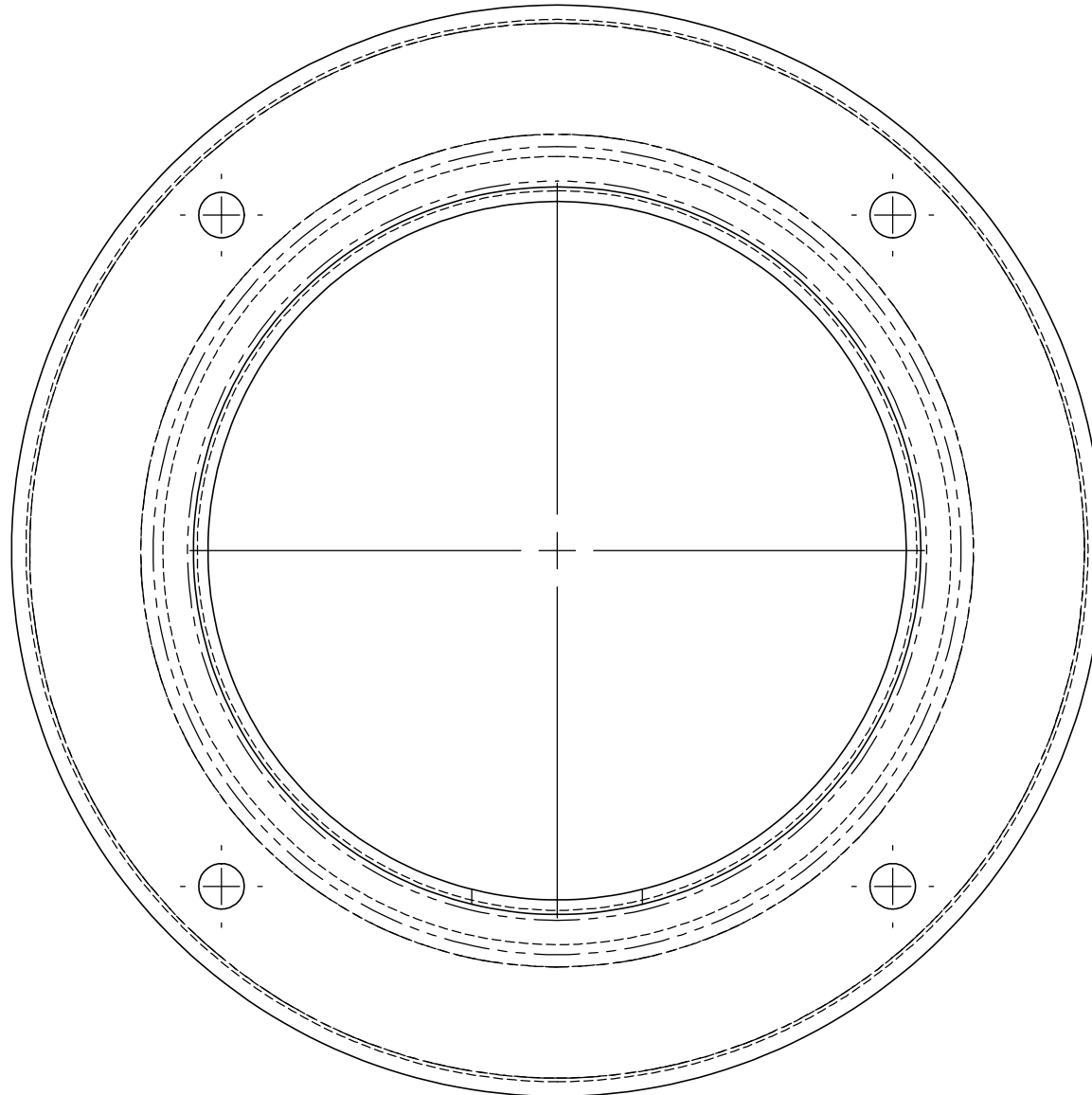
Part #1024-51

Proprietary and Confidential
 The Information contained in this drawing is the sole property of ACU Precision Sheet Metal. Any reproduction in part or as a whole without the written permission of ACU Precision Sheet Metal is Prohibited.
 ACU Precision Sheet Metal is:
 American Coffee Urn Manufacturing Co., Inc.

	NAME	DATE	TITLE:
DRAWN	M. Johs	07/14	4" PASS THROUGH TOWER 14 FAUCET HOLES
MATERIAL	SEE NOTES		
FINISH	SEE NOTES	COMMENTS:	AMERICAN COFFEE URN

DO NOT SCALE DRAWING

4" PEDESTAL AND DRAFT ARM TEMPLATE



SCALE 1:1

Set printer settings to : Page Scaling = "None"