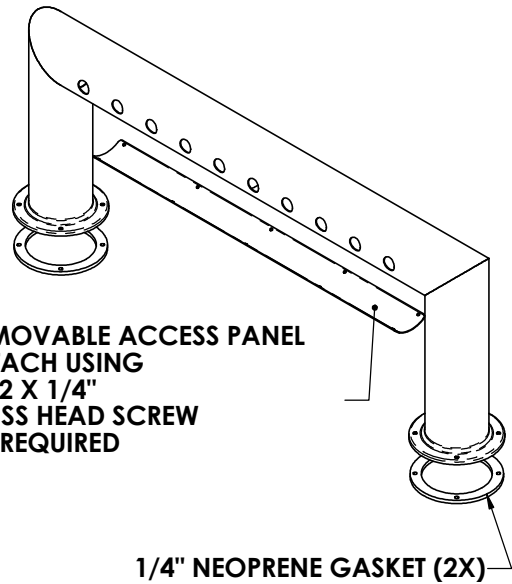
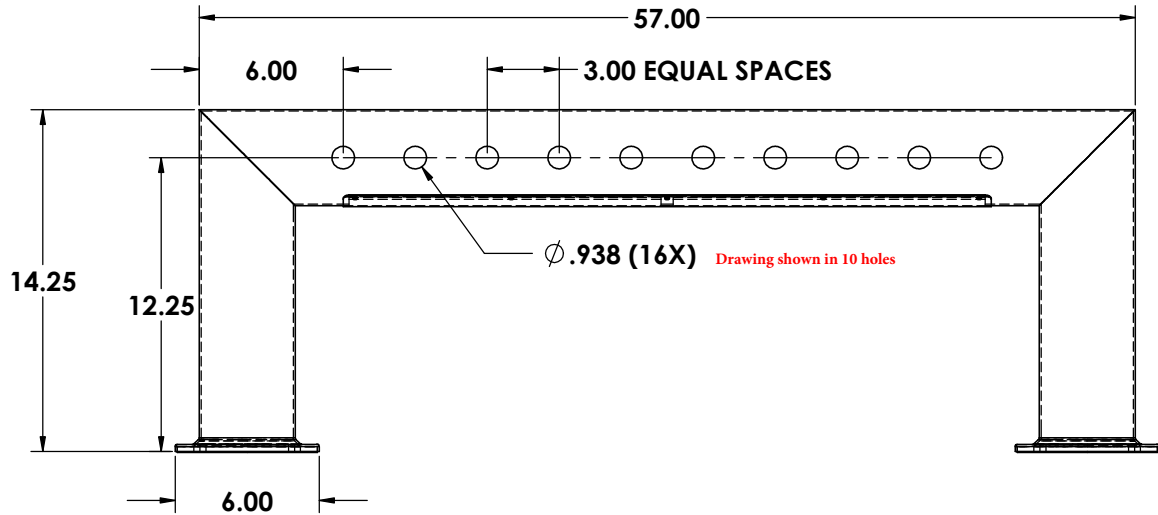
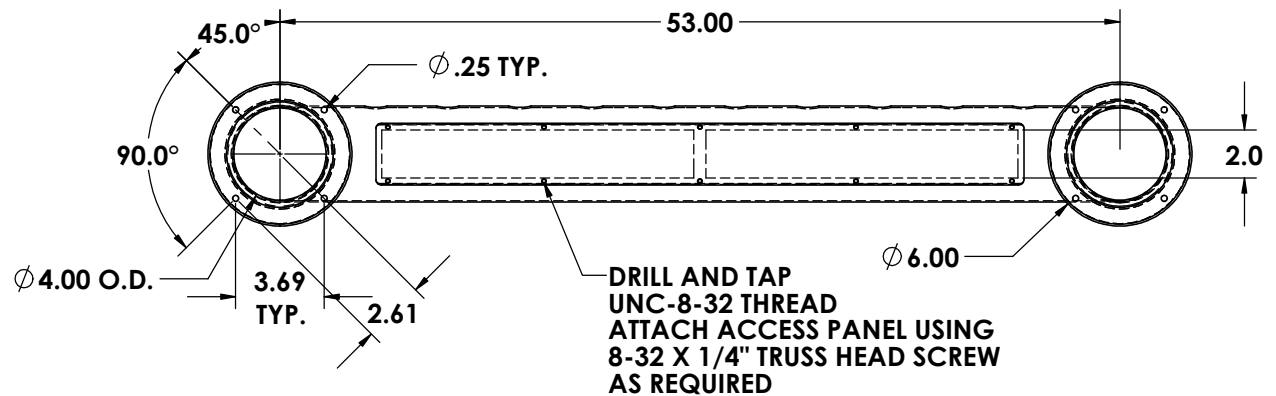


ZONE		REV.	REVISIONS	DESCRIPTION	DATE	APPROVED



REMOVABLE ACCESS PANEL  
 ATTACH USING  
 8-32 X 1/4"  
 TRUSS HEAD SCREW  
 AS REQUIRED

1/4" NEOPRENE GASKET (2X)



DRILL AND TAP  
 UNC-8-32 THREAD  
 ATTACH ACCESS PANEL USING  
 8-32 X 1/4" TRUSS HEAD SCREW  
 AS REQUIRED

ALL DIMENSIONS ARE INSIDE DIMENSIONS  
 UNLESS OTHERWISE NOTED

MATERIAL :  
 4" X .060 WALL STAINLESS STEEL

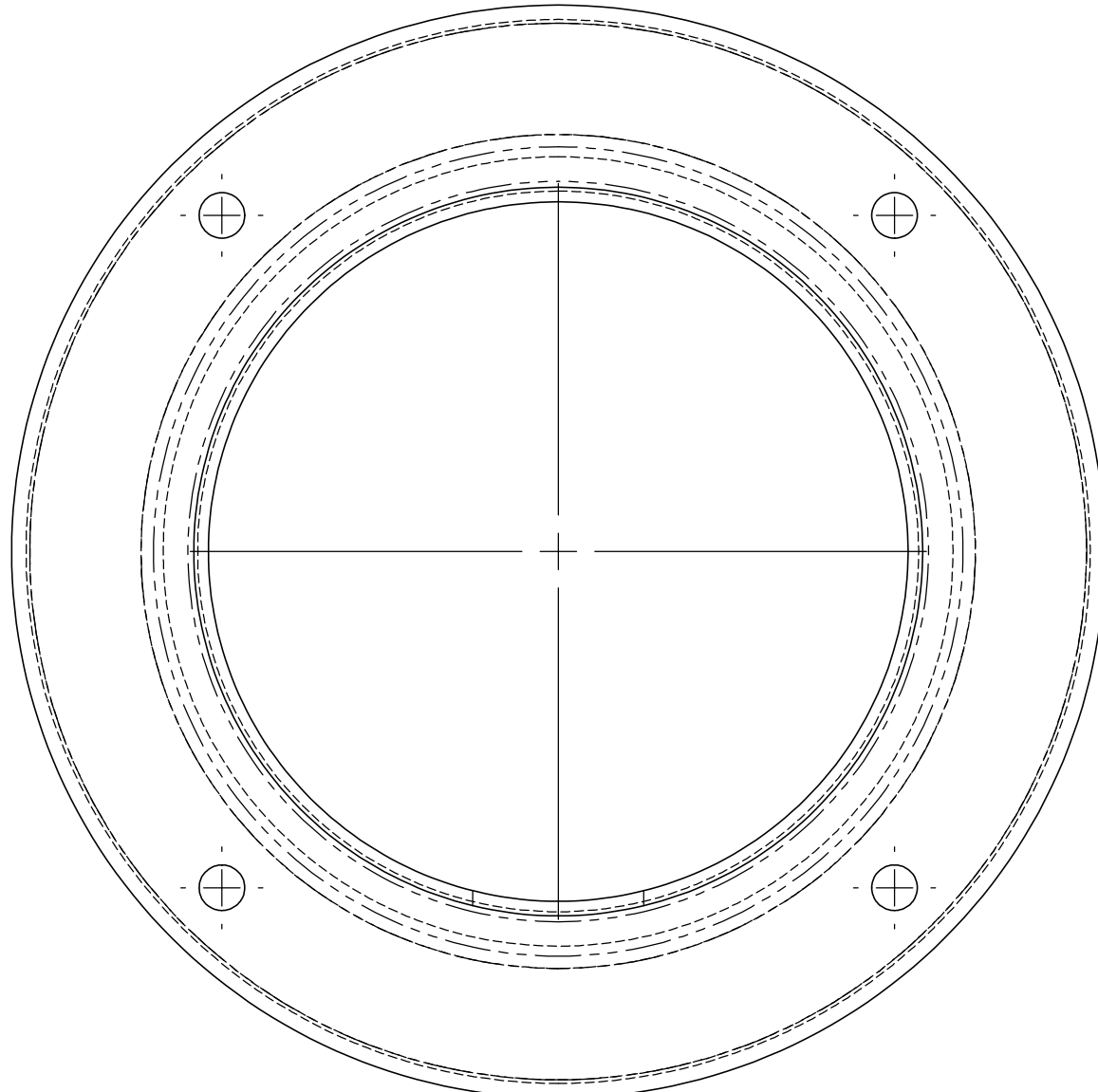
FINISHES :  
 #4 BRUSHED ON ALL TYPES

**Part #1024-57**

**Proprietary and Confidential**  
 The Information contained in this drawing is the sole property of ACU Precision Sheet Metal. Any reproduction in part or as a whole without the written permission of ACU Precision Sheet Metal is Prohibited.  
 ACU Precision Sheet Metal is:  
 American Coffee Urn Manufacturing Co., Inc.

NAME	DATE	TITLE:
M. Johs	07/14	<b>4" PASS THROUGH TOWER</b> <b>16 FAUCET HOLES</b> <b>AMERICAN COFFEE URN</b>
SEE NOTES	SEE NOTES	
COMMENTS:		

# 4" PEDESTAL AND DRAFT ARM TEMPLATE



**SCALE 1:1**

**Set printer settings to : Page Scaling = "None"**