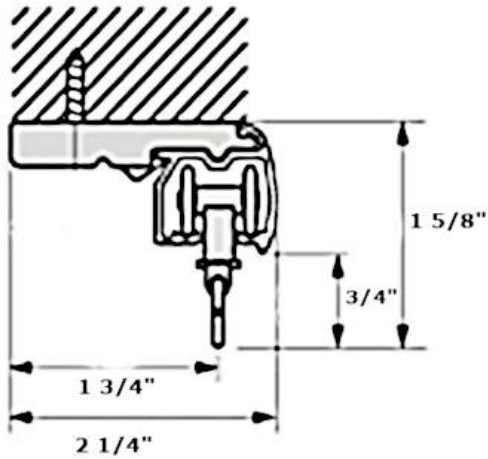


Décor 1 track ceiling installation:

Remove end caps and cut track/s to desired length with a hack saw. If your tracks are spliced, it is best to cut the ends with the end caps. The spliced area has been machine cut for a smooth joint. Mark the ceiling 3" away from the wall or at the desired projection. Mark the ceiling clip screw holes, placing one within 6" of the end of each track section and one near the middle. Pre-drill and install anchors if mounting in hollow ceiling.

Ceiling installation Décor I track

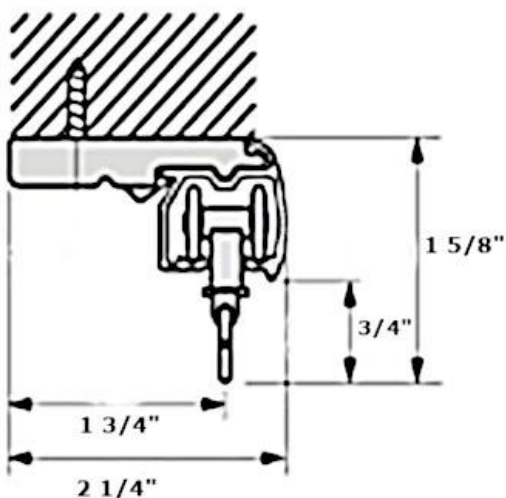


Place the front lip of the track into the bracket as shown, applying upward pressure until the track clicks into the bracket. Alternately, the ceiling clips can be clicked onto the track, then lifted up to the ceiling and screwed in place.

Décor 1 track ceiling installation:

Remove end caps and cut track/s to desired length with a hack saw. If your tracks are spliced, it is best to cut the ends with the end caps. The spliced area has been machine cut for a smooth joint. Mark the ceiling 3" away from the wall or at the desired projection. Mark the ceiling clip screw holes, placing one within 6" of the end of each track section and one near the middle. Pre-drill and install anchors if mounting in hollow ceiling.

Ceiling installation Décor I track



Place the front lip of the track into the bracket as shown, applying upward pressure until the track clicks into the bracket. Alternately, the ceiling clips can be clicked onto the track, then lifted up to the ceiling and screwed in place.