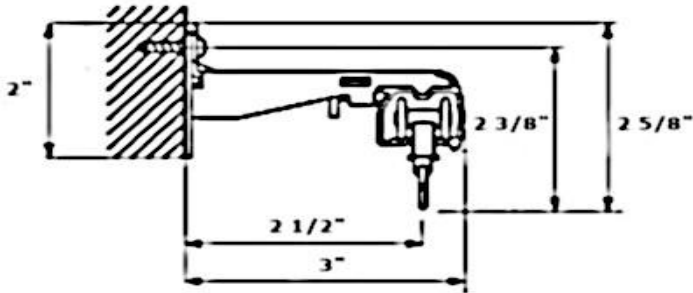


**Décor 1 wall installation:**

Remove end caps and cut track/s to desired length with a hack saw. If your tracks are spliced, it is best to cut the ends with the end caps. The spliced area has been machine cut for a smooth joint. Mount the brackets to the wall at the desired height. The end brackets should be no more than 6" from the end of the track and no more than 48" apart across the middle. Pre-drill and install anchors if mounting in hollow wall

**Single wall bracket Décor I track**

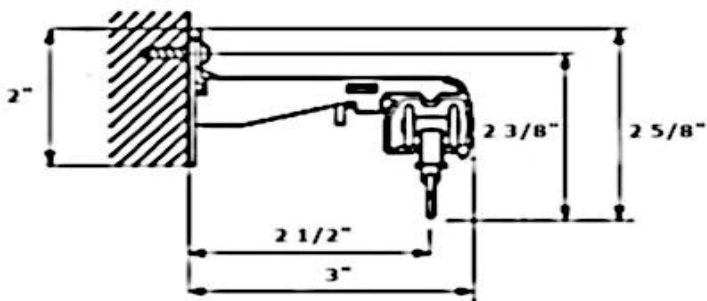


Place the front lip of the track into the bracket as shown, applying upward pressure until the track clicks into the bracket. A bracket should be used near the splice for support.

**Décor 1 wall installation:**

Remove end caps and cut track/s to desired length with a hack saw. If your tracks are spliced, it is best to cut the ends with the end caps. The spliced area has been machine cut for a smooth joint. Mount the brackets to the wall at the desired height. The end brackets should be no more than 6" from the end of the track and no more than 48" apart across the middle. Pre-drill and install anchors if mounting in hollow wall

**Single wall bracket Décor I track**



Place the front lip of the track into the bracket as shown, applying upward pressure until the track clicks into the bracket. A bracket should be used near the splice for support.