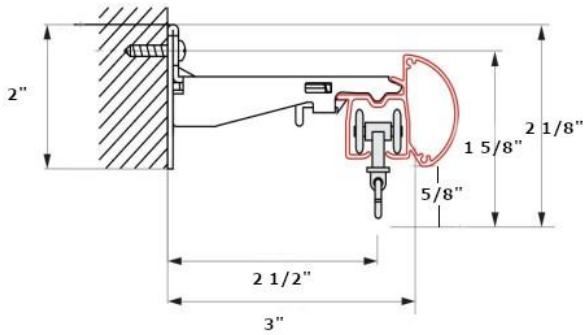


Décor 2 wall installation:

Remove end caps or finials and cut track/s to desired length with a hack saw. If your tracks are spliced, it is best to cut the ends. The spliced area has been machine cut for a smooth joint. Mount the brackets to the wall at the desired height. The end brackets should be no more than 6" from the end of the track and no more than 48" apart across the middle. Pre-drill and install anchors if mounting in hollow wall.

Place the front lip of the track into the bracket as shown, applying upward pressure until the track clicks into the bracket. A bracket should be used near the splice for support, if possible.

Decor II track single bracket



Décor 2 wall installation:

Remove end caps or finials and cut track/s to desired length with a hack saw. If your tracks are spliced, it is best to cut the ends. The spliced area has been machine cut for a smooth joint. Mount the brackets to the wall at the desired height. The end brackets should be no more than 6" from the end of the track and no more than 48" apart across the middle. Pre-drill and install anchors if mounting in hollow wall.

Place the front lip of the track into the bracket as shown, applying upward pressure until the track clicks into the bracket. A bracket should be used near the splice for support, if possible.

Decor II track single bracket

