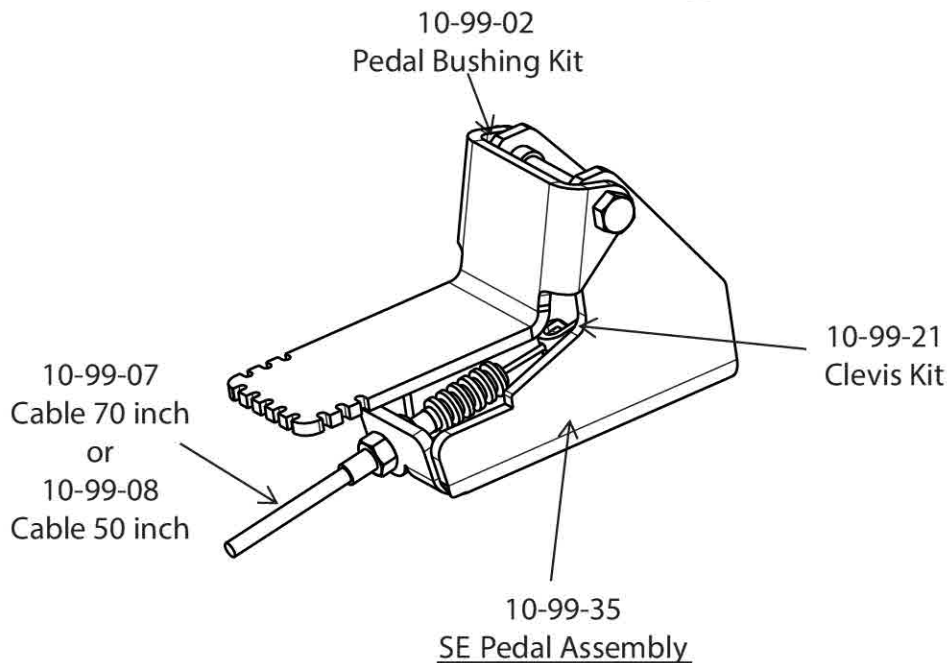
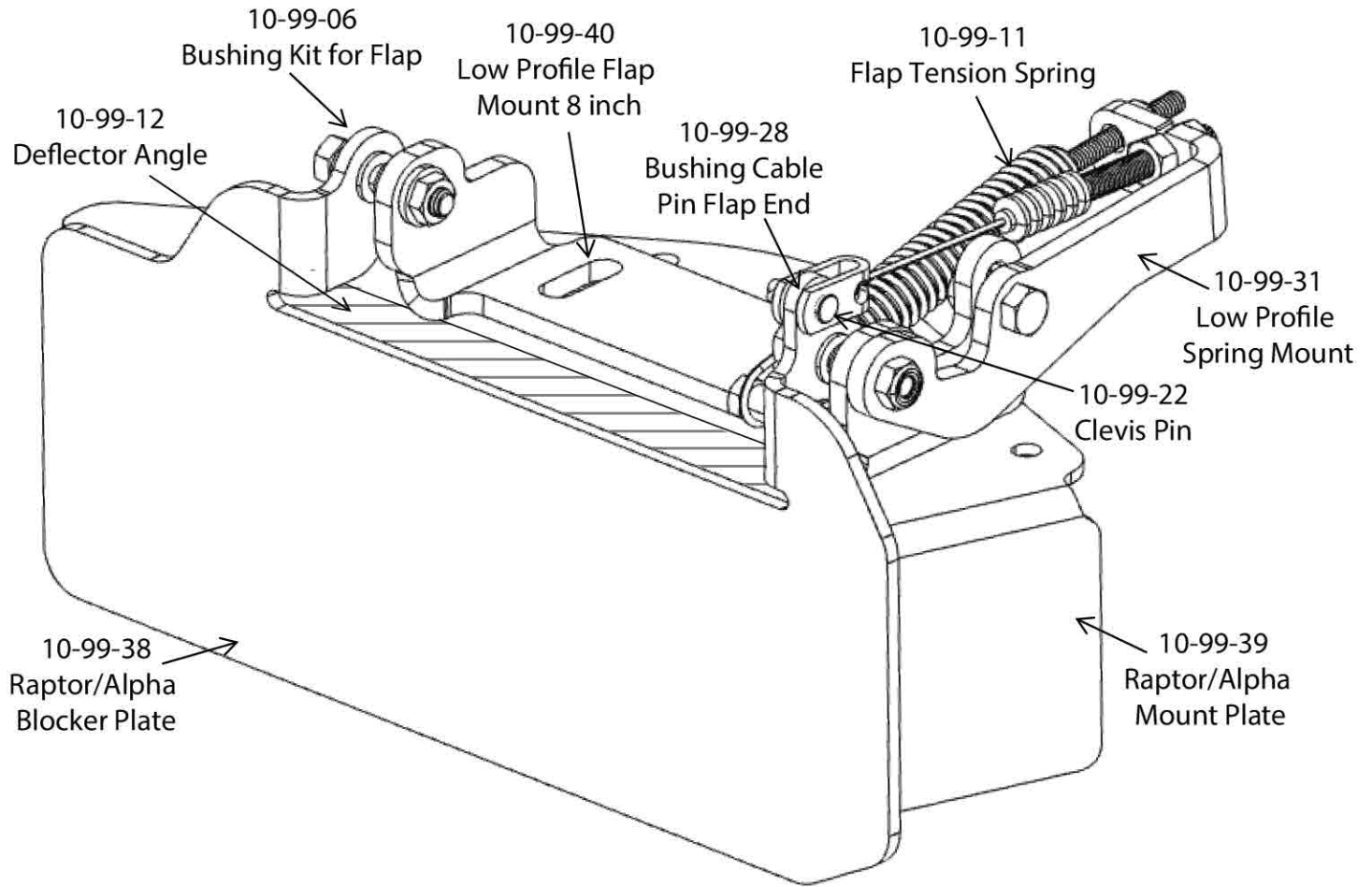


GrassFlap 45R Installation Guide

Parts List



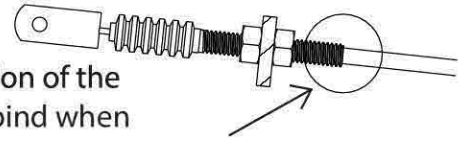
GrassFlap Cable Installation

WARNING: PROPER CABLE INSTALLATION AND MAINTENANCE IS CRITICAL TO LIFE OF CABLE.

Improper cable routing WILL cause failure, usually within the first month of use. The first 1/2 inch of cable conduit (black flexible part) must be straight in line with the end fitting.

AREAS TO PAY PARTICULAR ATTENTION TO ARE:

1. The transition point from the rigid threaded end to the flexible portion of the cable, particularly at the pedal end. Make certain the cable is not in a bind when the deck is raised either manually or when mowing.
2. The point where cable is tied to keep it out of the belts, leave enough slack for the deck to raise and lower without straining the cable.
3. Where the cable first routes under the deck from the flap, make sure it doesn't get in a bind as the deck is raised and lowered.
4. Be sure the cable is not deflected either while in use or when trailering.
5. Proper bend radius is the key to long life, a 6 inch radius is recommended for all bends.
6. To avoid direct heat on cable, do not route near muffler.

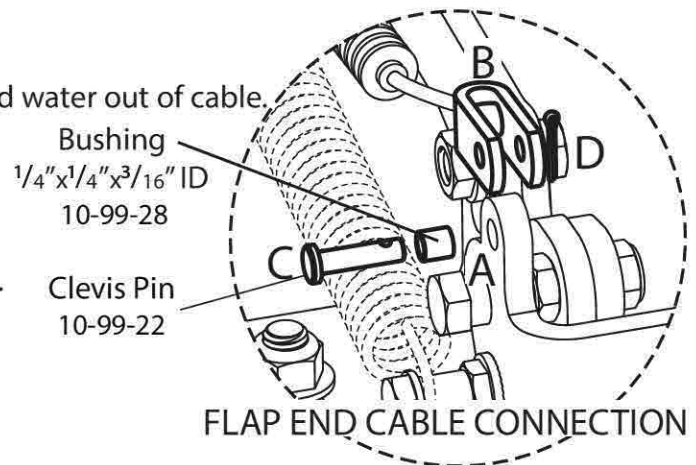


MAINTAINING THE CABLE

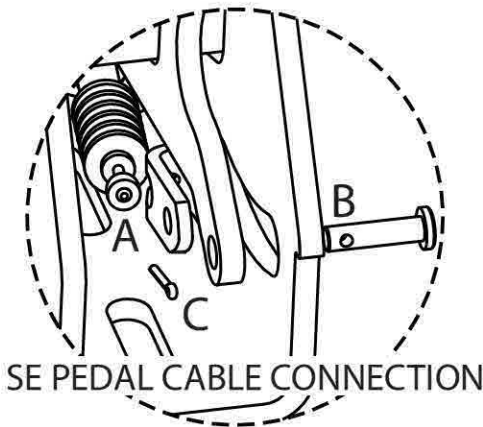
1. Be sure the rubber boots are in place to keep dirt and water out of cable.

Fixed clevis goes on Flap End

- A) Place bushing into hinge assembly.
- B) Slide cable clevis over hinge assembly.
- C) Slide hinge pin through clevis (head on spring side).
- D) Slide cotter pin through hinge pin and bend.

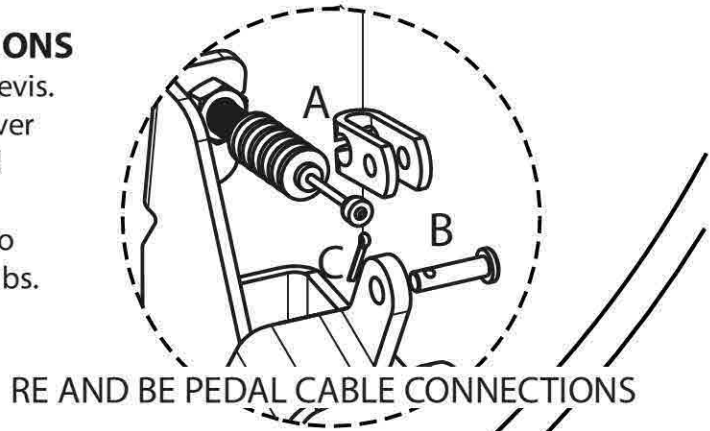


Removable Clevis goes on Pedal End



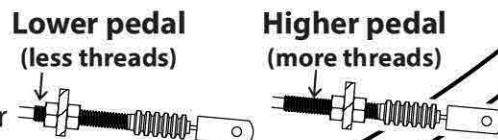
PEDAL CONNECTIONS

- A) Connect cable to clevis.
- B) Place cable clevis over pedal attachment and insert 1/4" clevis pin.
- C) Insert cotter pin into hinge pin and bend tabs.



PEDAL HEIGHT

1. Adjust pedal height so pedal bottoms out to prevent cable from carrying full weight of operator

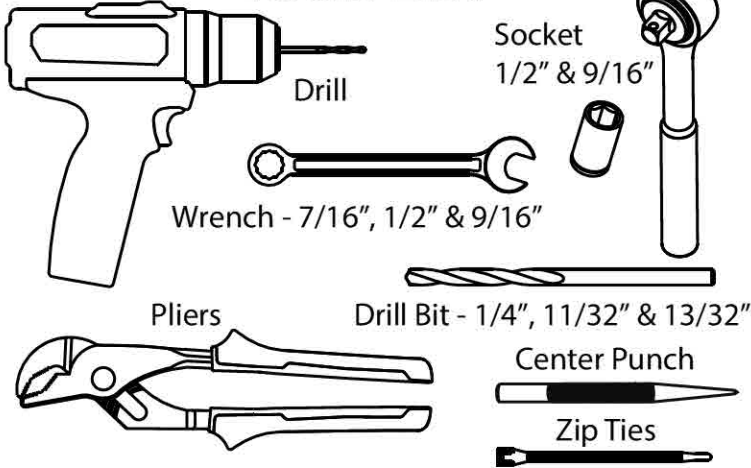


Reference 6" radius for cable routing.

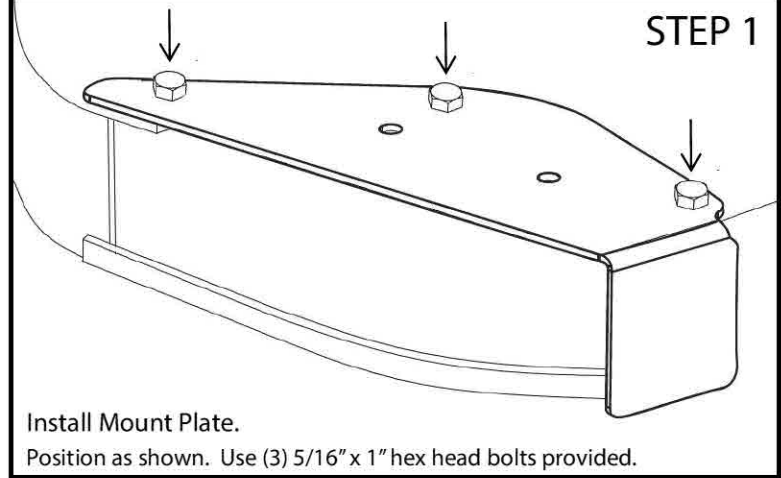
Video installation guide:
[Youtube.com/grassflap](https://www.youtube.com/grassflap)
How-To: Cable Routing

GrassFlap 45R Installation Guide

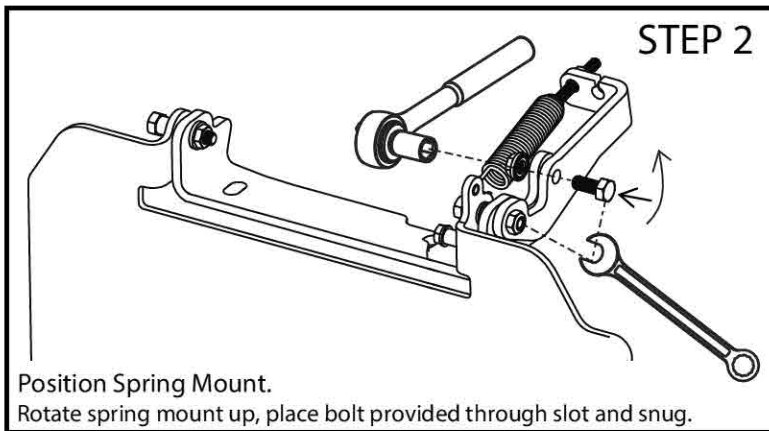
Tools List



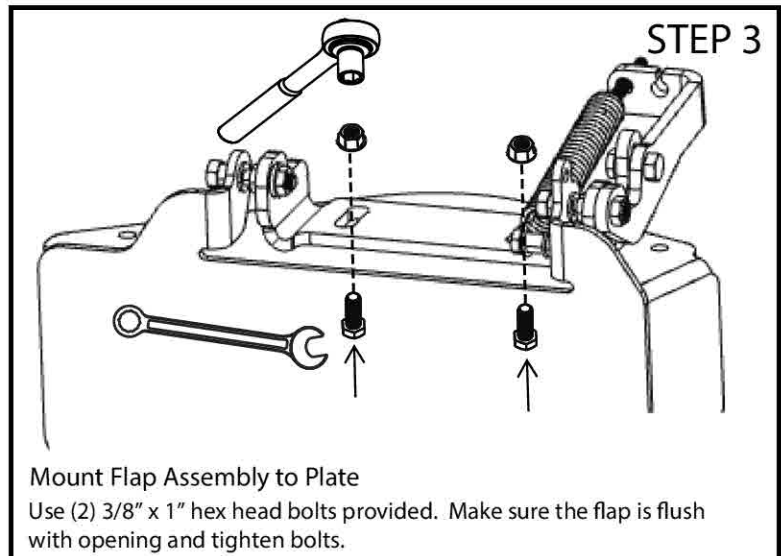
STEP 1



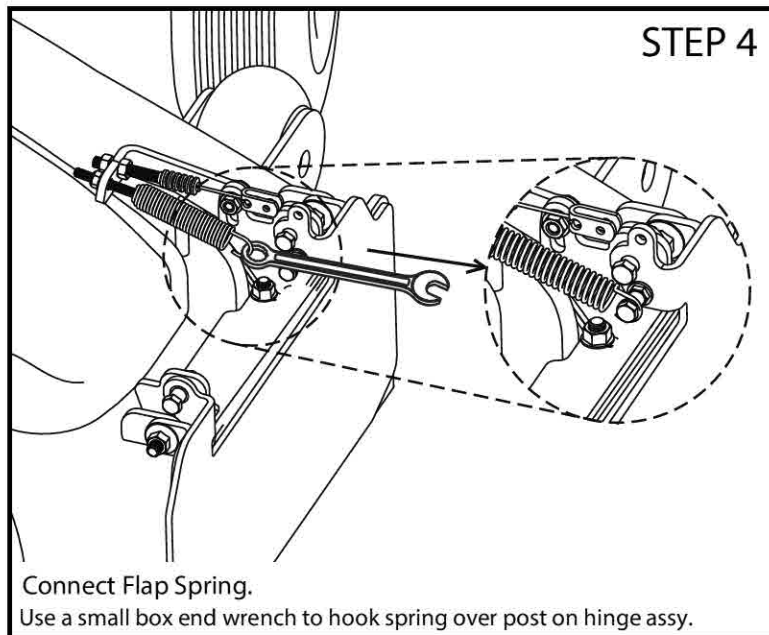
STEP 2



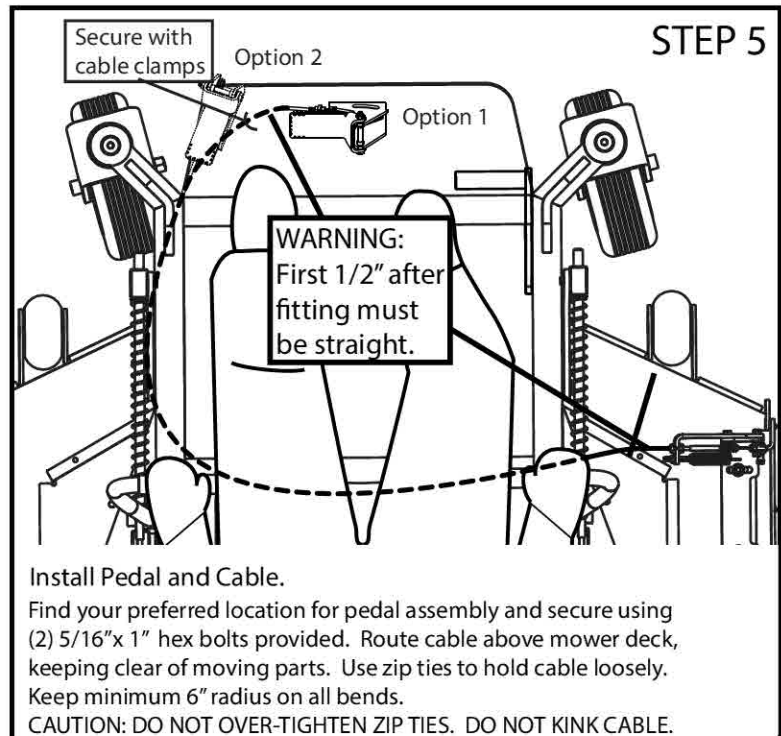
STEP 3



STEP 4



STEP 5



Instruction videos available online at:
[YouTube.com/user/GrassFlap](https://www.youtube.com/user/GrassFlap) and GrassFlap.com

