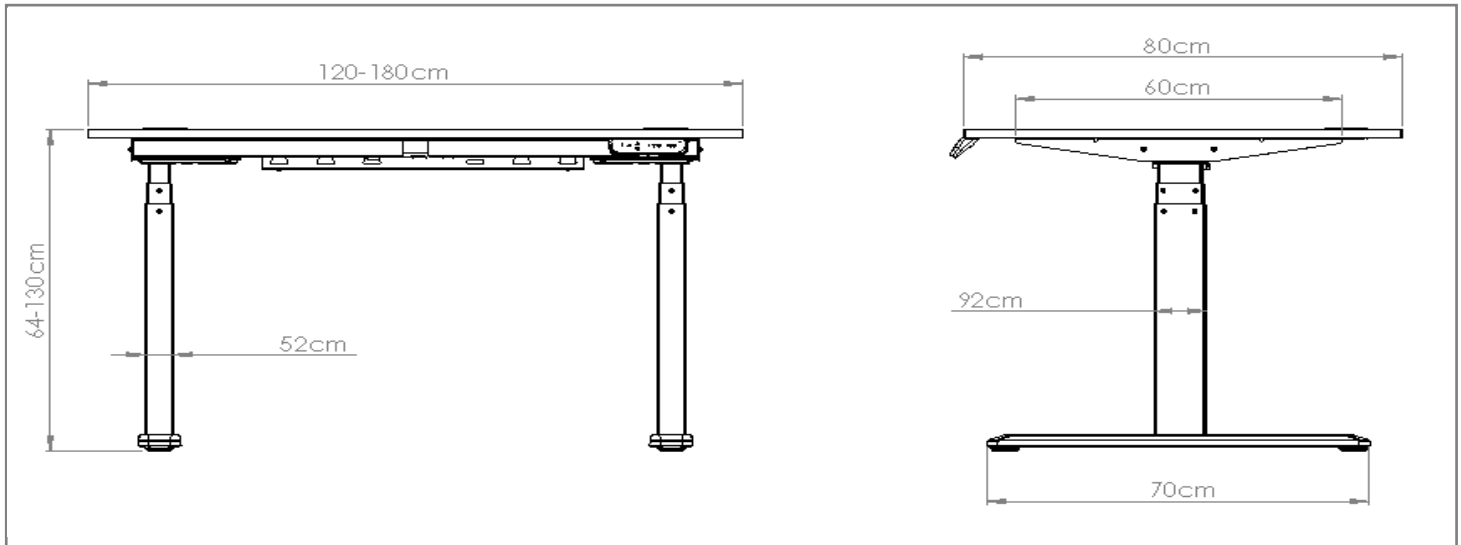


## Product Drawing



Material:	Steel, Plastic
Surface Finish:	Powder coat
Color:	Grey RAL7045 Black RAL9005 White RAL 9016
Product Size:	180x130x70 cm
Weight frame:	35Kg
Weight Desk-top*:	14-22Kg
Voltage:	230V AC
Standby power:	<0.1W
Vertical speed:	38mm/s
Qty Frame:	1
Qty Desk-top:	1
Load maximum:	100Kg
Noise level:	<50dB
Actuation:	Dual motor
Controller:	Up/down 3 presets
Assembly:	Required 1 hour
User Manual:	Yes

\*=optional desk-top

## Item codes:

SSDxxxxR3 desk version including desk-top  
SSF2Mxxx301R frame only version

The Series 3 dual motor sit-stand frame/desk is made from a rugged mild steel powder coated frame plus an optional hard wearing MFC desk-top. It contains:

- Three stage legs with integral motors
- Frame
- Up/down controller with 3 presets
- Adjustable feet
- MFC desk-top
- Screws and fixings
- All cables etc.

## Product Image

