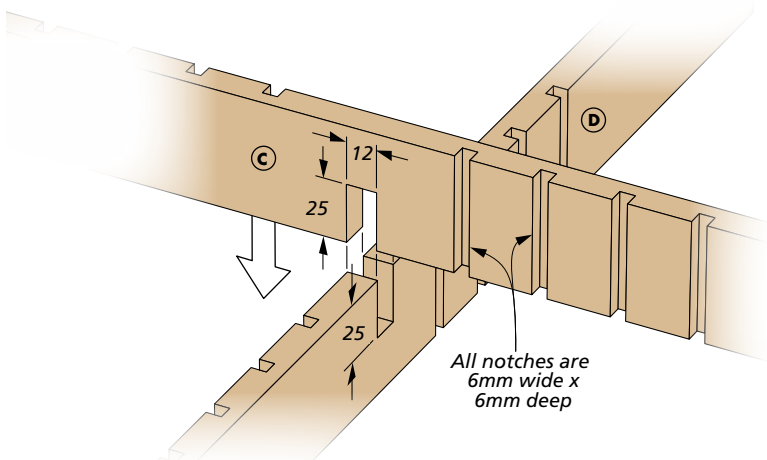
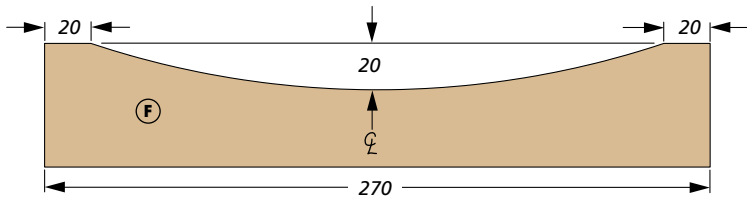
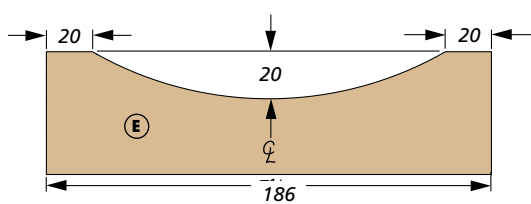
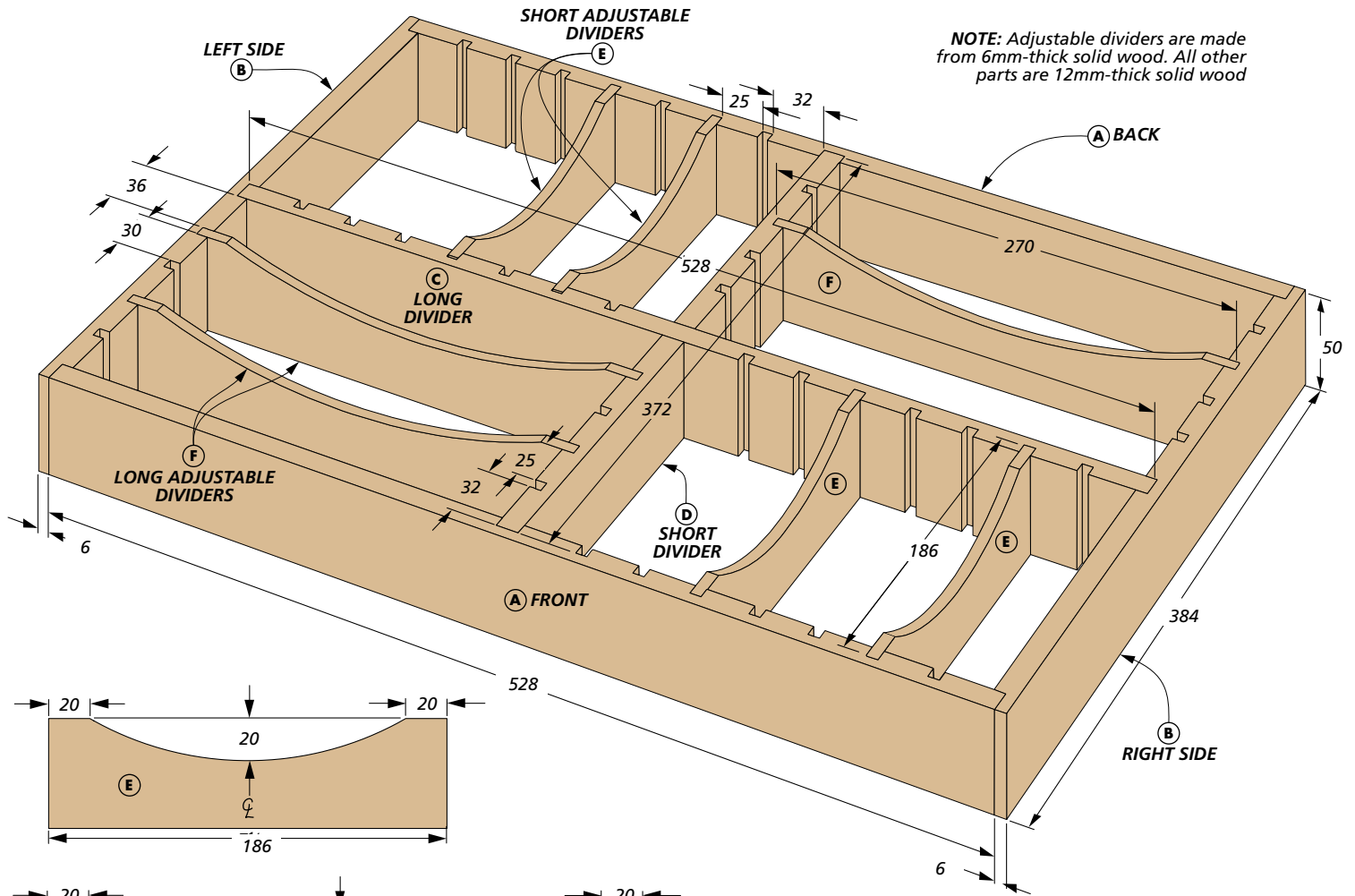


Dressing Table Centre Drawer Divider



The shallow centre drawer in the dressing table from Australian Woodsmith No. 151 is the perfect place to store small items. But unfortunately, those small items can easily get lost in such a large expanse. This clever divider system provides some much needed organisation. The best part is that it can be customised for the things you need to store. Simply move the dividers from one notch to another to change the size (and number) of an individual opening. **W**

Materials	
A Front/Back (2)	528 x 50 x 12
B Left/Right Sides (2)	384 x 50 x 12
C Long Divider (1)	528 x 50 x 12
D Short Divider (1)	372 x 50 x 12
E Short Adj. Dividers (4)	186 x 50 x 6
F Long Adj. Dividers (3)	270 x 50 x 6