



Whether you are looking for a large plasma TV stand for your limited living room, or can not find best way to setup your LED, LCD TV or display in meeting room, exhibition room, restaurant, here maybe it is your best selection. This is the modular designed light weight mobile display stand comes in black powder coat gives you a brand new looked with 2 heavy duty poles to give you height adjustment from 1030mm(40.5") to 1530mm (60.2").



Adjustable screen height
Adjustable screen height by shifting 2" incremental plunger holes from 40.5" to 60" along 2 poles for perfect viewing level.



Standard video tray
The video tray is a standard attachment for AVA 1500-60-1P. This video tray enables to adjust height vertically freely within the slot for perfect video conference position.



Adjustable AV shelf height
Adjustable plastic AV shelf holds AV components and accessories up to 10lbs (4.5 kg.)



Integrated cable management system
Internal cable management allows cables and wires to be routed inside the column for clean, clutter-free look.

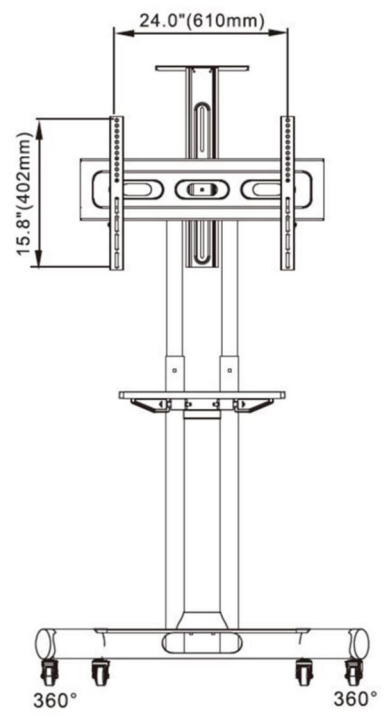
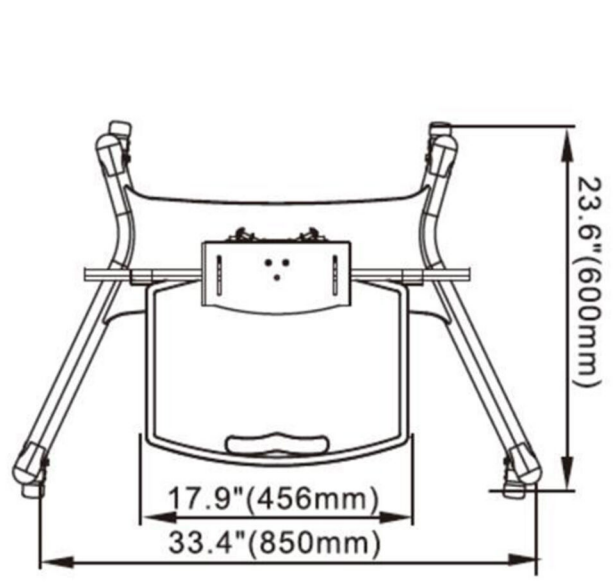


Swivable caster brake wheels
Carts come with 2" swivable caster brake wheels provide you with easy maneuvers to any direction and position.

High tensile full welded solid base construction provides stability and rigidity in used!



Double Post design
Two SPCC seamless pipes design provides stable and rigid support for TV panel.





VESA compliant from 200x200mm to 500x800mm. Support Most TV units from 32"-65" and up to 100 lbs

Height adjustable plastic shelf provide a place for AV entertainment accessories



It is designed carried up to 100 lbs(45.5kg) or Maximum 60" flat panel screen with 4 heavy duty braked caster wheels installed.



This is the modular designed light weight mobile display stand comes in black powder coat gives you a brand new looked with 2 heavy duty poles to give you height adjustment from 1030mm(40.5") to 1530mm (60.2").



Standard height-adjustable
AV shelf and camera tray



Height adjustable plastic shelf
provides a place for AV
entertainment accessories

Its **Unique and Convenience** TV height adjustment by spring plunges; Cable management designed; Security padlock designed to prevent loss of TV are the most good features and selling points to you and your buyers.





Height adjustment
by spring plunges



Integrated base

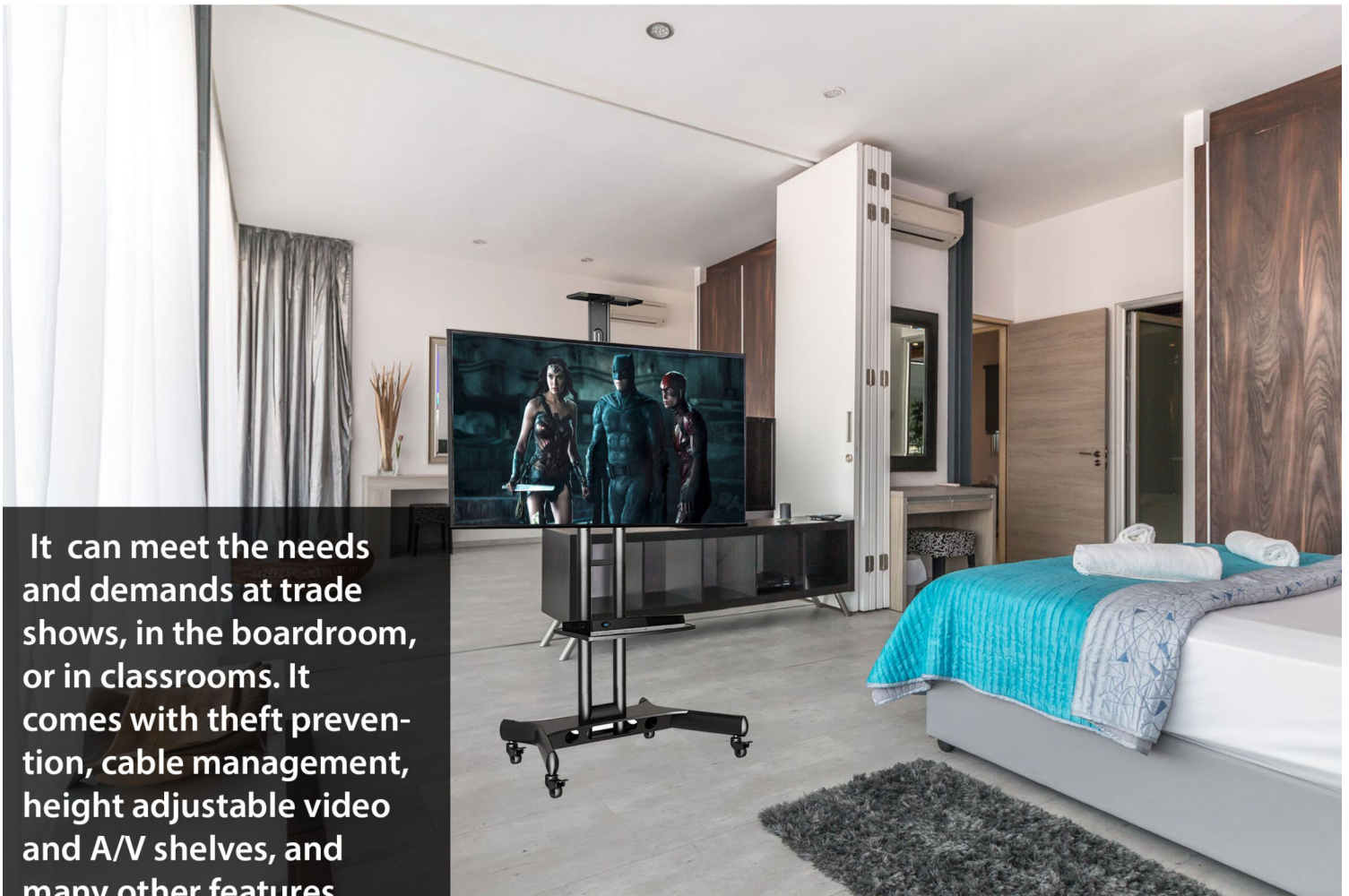
VESA

200x200 to
600x400mm



100LBS
(45.5kg)

This universal seamless black steel TV cart offers the most **complete mobile solution** for any application.



It can meet the needs and demands at trade shows, in the boardroom, or in classrooms. It comes with theft prevention, cable management, height adjustable video and A/V shelves, and many other features.

Features

1. Most TV units from 32"-65" and up to 100 lbs.
2. VESA compliant from 200x200mm to 500x800mm
3. TV height can be adjusted in 2" increments from 40.5" up to 60".
4. Landscape viewing mode only.
5. 2" Precision caster brake wheels for a smooth roll.
6. Cable Management system.
7. height adjustable video shelf for video conferencing.
8. height adjustable A/V shelf (max weight of 10 lbs).

Contact us



India: Rife Technologies, 362, Vardhaman Plaza - II, J Block Community Center. Rajouri Garden, Delhi - 110027, India
E-mail: sales@rifeindia.com, Website: www.lcdtvstandsindia.com, www.rifeindia.com, Tel: +91-9899250704

Hongkong: Ergonomic Corporation Hongkong Limited, 1102, 11th floor, 33 hysen Avenue, Lee Garden one, Causeway Bay, Hongkong
E-mail: sales@ergoshopping.com, Website: www.ergoshopping.com, Tel: 852-98226451