

Light Socket Replacement Instructions

⚠ WARNING

BE SURE ELECTRICAL POWER HAS BEEN DISCONNECTED FROM THE INPUT POWER LINES PRIOR TO REMOVING ANY ELECTRICAL COMPONENT COVER.

⚠ WARNING

ANY AND ALL REPAIRS MADE TO THIS UNIT MUST BE PERFORMED WITH THE DOOR DISCONNECTED FROM THE UNIT AND IN THE CLOSED POSITION.

NOTE: Rail not shown, Rail removal is not necessary for this repair.

These instructions are written assuming that you will have ample room around unit to perform this repair. Some rare instances will require removal of the unit from its mounting hardware and repair made on a bench or floor. Refer to your owners manual and/or installation poster for proper assembly and/or programming and carefully read and understand all warnings and cautions pertaining to your unit. Manuals/instructions can be downloaded from our websites. Refer to your unit label for website information.

Parts Included in this kit: Light socket and harness assembly.

Tools Required: 1/4" nut driver, small common screwdriver.

Approximate Time Required: 30 Minutes.

1. Remove power from operator.
2. Press down on tabs to remove lens. FIG-1
3. Remove light bulb.
4. Note locations and remove BWC (Basic Wall Control) and STB (Safe-T-Beam®) wires. Use small screwdriver to press in on orange tabs to remove wires. FIG-2
5. Using a 1/4" nut driver or common screw driver, remove the 3 opener cover screws and opener cover. FIG-2

FIG. 1

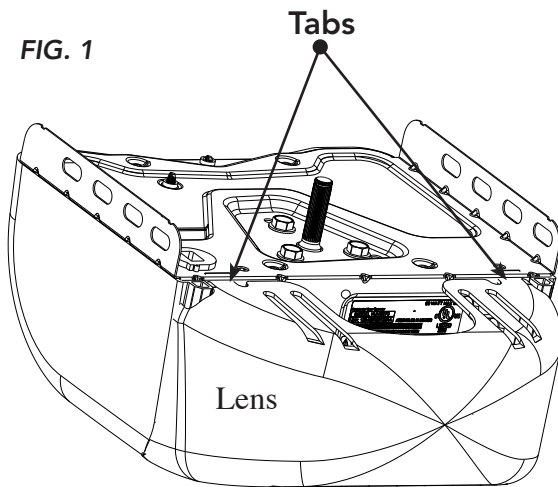
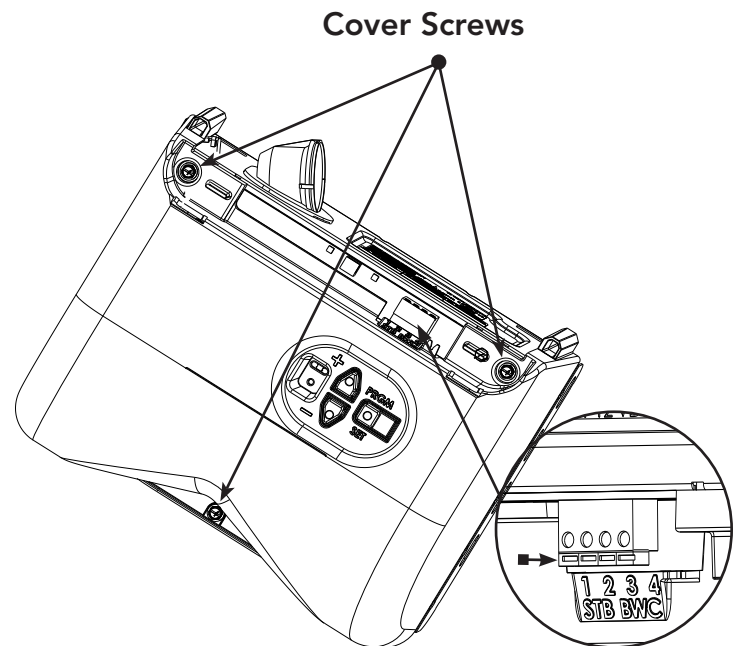


FIG. 2



6. Note the locations and remove lights, transformer primary, AC power, red & black motor wires, transformer secondary, and encoder harnesses. FIG-3
7. Using a 1/4" nut driver or common screwdriver, remove 2 control board mounting screws and remove control board. FIG-3
8. Carefully remove light socket harness from harness keeper.
9. Press on the light socket tab and push socket out from front of operator. FIG-4
10. Install replacement light socket and harness through front panel and snap socket into place.
11. Reinstall the control board, harnesses, opener cover, BWC & STB wires, light bulb and lens in reverse order as removed.
12. Reapply power to operator.

