

Battery Backup Install/Replacement

These instructions are written assuming that you will have ample room around Opener to perform this repair. Some rare instances will require removal of the unit from its mounting hardware and repair made on a bench or floor. Refer to your Owners Manual/Installation Poster for proper assembly and carefully read and understand all warnings and cautions pertaining to your unit.

⚠ WARNING

BE SURE ELECTRICAL POWER HAS BEEN DISCONNECTED FROM THE INPUT POWER LINES PRIOR TO REMOVING THE MOTOR COVER.

⚠ WARNING

ANY AND ALL REPAIRS MADE TO THIS UNIT MUST BE PERFORMED WITH THE DOOR DISCONNECTED FROM THE OPENER AND IN THE CLOSED POSITION.

Installing Battery Backup (BBU) Assembly.

1. Close the door.
 2. Unplug powerhead from power source.
 3. Tilt BBU approximately 45° and lower into slots in the top rear of the powerhead. Fig. 1.
 4. Fasten to powerhead with 2 supplied self tapping screws.
- NOTE:** *There are no holes in rear cover. Self Tapping screws will self tap through cover.*
5. Plug battery harness into plug located at the top of the powerhead.
 6. Reconnect powerhead to power source.

⚠ CAUTION TO PREVENT POSSIBLE SERIOUS INJURY or DEATH from electrocution AND REDUCE RISK OF FIRE
— Disconnect ALL electric power sources and battery power BEFORE performing ANY service or maintenance.
Install only in DRY locations - NOT INTENDED FOR OUTDOOR USE.
Use only 12V, 5AH, SLA replacement battery (P/N 111658-0002.S).

⚠ ATTENTION POUR ÉVITER LES BLESSURES GRAVES VOIRE MORTELLE PAR ÉLECTROCUTION POUR RÉDUIRE ES LES RISQUES D'INCENDIE
— Débrancher toutes les sources d'alimentation électriques et la pile avant d'effectuer des opérations de réparation ou d'entretien.
Installer uniquement dans des endroits secs—NE DOIT PAS ÊTRE UTILISÉ À L'EXTÉRIEUR.
Utiliser uniquement une pile de remplacement de 12V, 5AH, SLA (réf. 111658-0002.S).

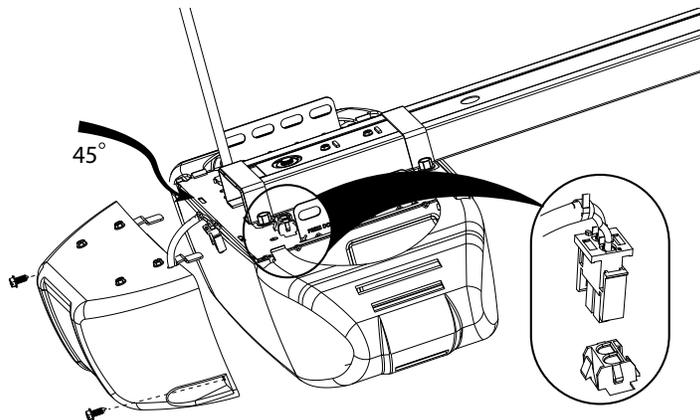
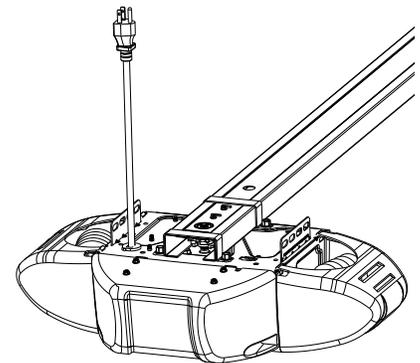


FIG. 1.



Completed Assembly

Testing The Battery Backup

NOTE: *It is recommended that the battery backup be allowed to charge for 24 to 48 hours prior to testing. Initially, the opener may not operate from the battery backup mode if battery is not fully charged.*

1. Run the opener using the wall control or remote to ensure it is working properly.
2. Turn off power to opener by unplugging from outlet or turning off breaker.
3. Press wall control or remote control. Opener will run at a slower speed than normal.

NOTE: *See troubleshooting guide (pg. 18) in owners manual if any of the steps above fail.*

Work light will not operate while in battery backup mode. (Courtesy white LED's will illuminate.)

4. After successful test, reconnect powerhead to power source.

**Battery backup devices from other manufacturers will not operate with this opener.
Use only Battery Backup type battery that was provided. P/N 111658-0002 (battery only)**

Replacing the Battery in the Battery Backup (BBU)

Proper care should be used when handling a battery. Eye protection should be worn.

NOTE DO NOT reverse polarity (+) and (-) as this will damage the powerhead.

1. Close door.
 2. Unplug powerhead from power source.
 3. Unplug battery backup from harness connection. See Fig. 1.
 4. Remove both mounting screws from rear of battery backup. See Fig. 1.
 5. Detach battery backup from back of opener by tilting the BBU approximately 45 degrees and lifting up towards the ceiling. See Fig. 1.
 6. Remove 4 screws from battery hold down bracket. Fig. 2.
 7. Remove battery.
 8. Disconnect harness wires from the (+) and (-) terminals.
 9. Replace in reverse order
- NOTE: Allow 24-48 hours to charge battery before testing.**
10. Test as noted on reverse page.

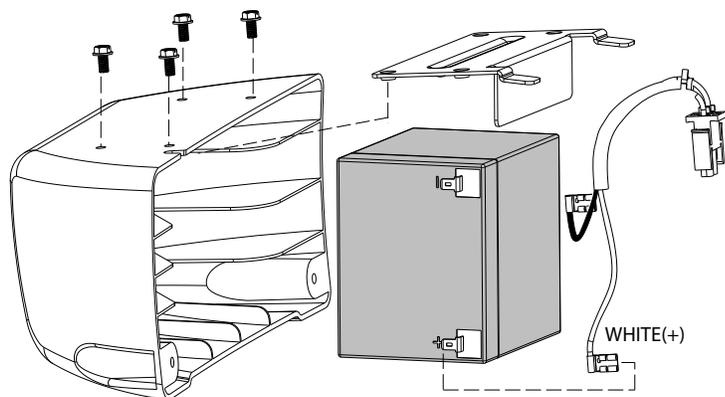
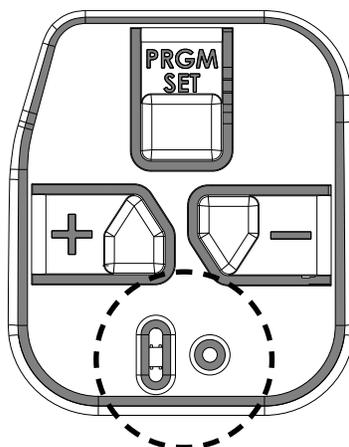


FIG. 2.



See page 18 in owners manual for condition LED's that will illuminate once Battery Backup is operational.
Both LEDs will signal solid GREEN under normal, fully charged, operation.