

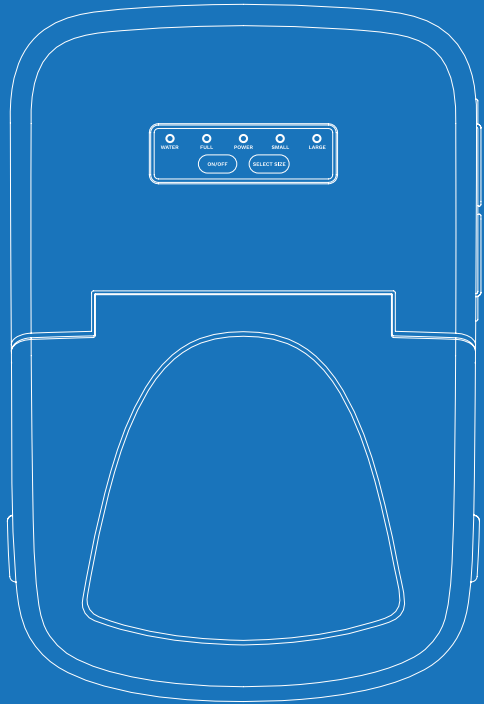
ICE MAKER

26 Lbs. Capacity

HME010019N

home™
homelabs.com

Before using your Ice Maker, please read this manual.



BEFORE FIRST USE:

To prevent any internal damage, it is very important to keep refrigeration units (like this one) upright throughout their journey. Please leave it standing upright and outside the box for **24 HOURS** before plugging it in.

TABLE OF CONTENTS

Important Safeguards	6-7
Getting to know your Ice Maker	8-9
Operating Procedures & Maintenance	10-11
Troubleshooting	12
Warranty	13
Warning	14
Contact Us	14

Congratulations

on bringing home your new appliance!



Don't forget to register your product at homelabs.com/reg for updates, coupons, and other relevant information.

Although greatly appreciated, product registration is not required to activate any warranty.

IMPORTANT SAFEGUARDS

When using your hOme™ Ice Maker (appliance), basic safety precautions should always be followed to reduce the risk of fire, electrical shock, and/or injury to persons. Incorrect operation due to ignoring instructions may cause harm or damage.



DANGER



WARNING

These words mean:

- All safety messages will tell you what the potential hazard is, how to reduce the chance of injury, and tell you what can happen if the instructions are not followed.
- Read all instructions before using the appliance.
- Do not operate this or any other appliance with a damaged cord.
- If the cord is damaged, contact hOme™ customer service hotline at 1.800.898.3002 to avoid a hazard.
- The appliance must be positioned so that the plug is accessible.
- Connect plug to properly polarized outlets only. No other appliance should be plugged into the same outlet. Be sure that the plug is fully inserted into the receptacle.
- Do not run the power cord over carpeting or other heat insulators. Do not cover the cord. Keep the cord away from traffic areas, and do not submerge in water or any other liquid.
- We do not recommend the use of an extension cord, as it may overheat and become a risk of fire.
- Unplug the appliance before cleaning or making any repairs or servicing.
- Exercise caution and use reasonable supervision when appliance is used near children.
- Do not use your appliance outdoors. Place the appliance away from direct sunlight and make sure that there is at least 4 inches (101 mm) of space between the back of your appliance and wall. Keep a minimum distance of 4 inches (101 mm) on each side of your appliance free.
- Do not use any other liquid to make ice other than water.
- Do not clean your appliance with flammable fluids. The fumes can create a fire hazard or explosion.
- Do not tip your appliance over.
- If the appliance is stored in a cold environment, wait at least 3 (three) hours for the appliance to warm to room temperature before plugging it in.

WARNING: The appliance must be placed on a flat firm surface



DANGER: Risk Of Fire or Explosion. Flammable Refrigerant Used. Do Not Use Mechanical Devices To Defrost Ice Maker. Do Not Puncture Refrigerant Tubing.

DANGER: Risk Of Fire Or Explosion. Flammable Refrigerant Used. To Be Repaired Only By Trained Service Personnel. Do Not Puncture Refrigerant Tubing.

CAUTION: Risk Of Fire Or Explosion. Flammable Refrigerant Used. Consult Repair Manual/Owner's Guide Before Attempting To Install or Service This Product. All Safety Precautions Must be Followed.

CAUTION: Risk Of Fire Or Explosion. Dispose Of Property In Accordance With Federal Or Local Regulations. Flammable Refrigerant Used .

CAUTION: Risk Of Fire Or Explosion Due To Puncture Of Refrigerant Tubing;Follow Handling Instructions Carefully. Flammable Refrigerant Used.

IMPORTANT SAFEGUARDS

The ice maker should be installed in accordance with the safety standard for Refrigeration Systems, ASHRAE15. The ice maker shall not be installed in corridors or hallways of public buildings.

If the unit is with problem need to be maintained, that replacing with like components and that servicing shall be done by factory authorized service personnel, so as to minimize the risk of possible ignition due to incorrect parts or improper service.

IMPORTANT: The wires in this main leads are colored in accordance with the following code:

Green or Green with a strip	Yellow:	Grounding
	White:	Neutral
	Black:	Live

To avoid the appliance falling or tipping over, always place on a flat, sturdy surface. Damage may occur if the appliance falls.

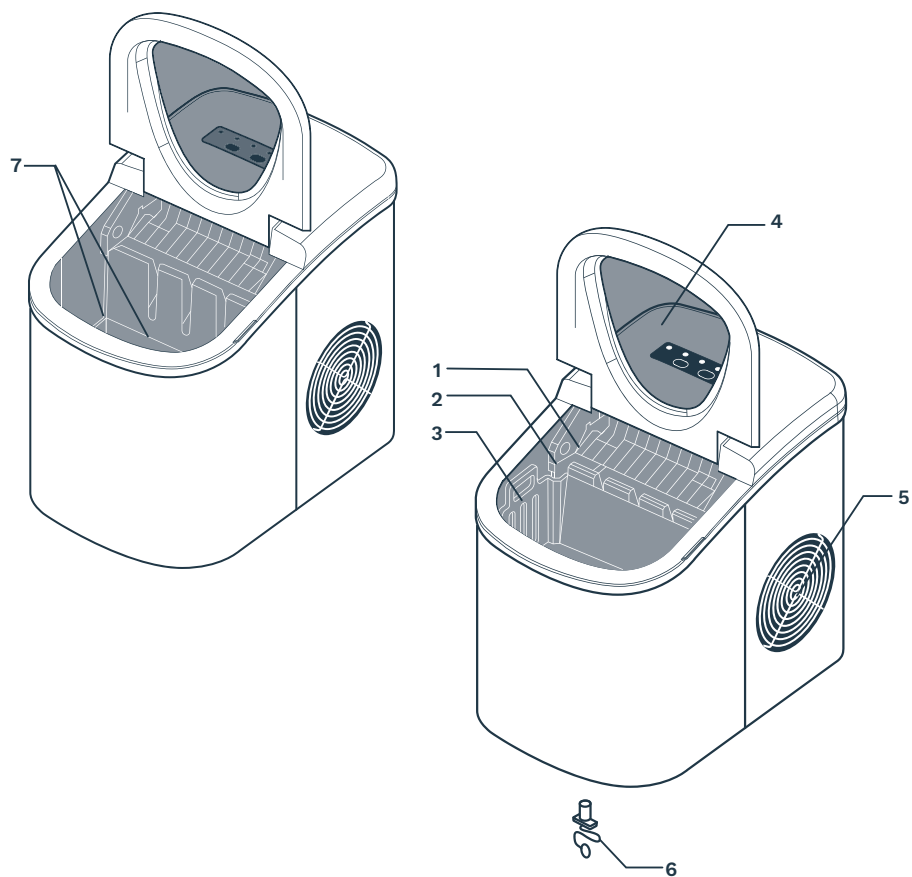
SAVE THESE INSTRUCTIONS

FOR HOUSEHOLD USE ONLY

GETTING TO KNOW YOUR ICE MAKER

GENERAL INSTRUCTION

1. Ice scoop.
2. Ice full sensor
3. Ice basket
4. Top cover with transparent window
5. Air outlet
6. Water drain cap: located at the front bottom side of the appliance.
7. **MAXIMUM WATER LEVEL: ▲**
Remove the ice basket, to see the water level mark.



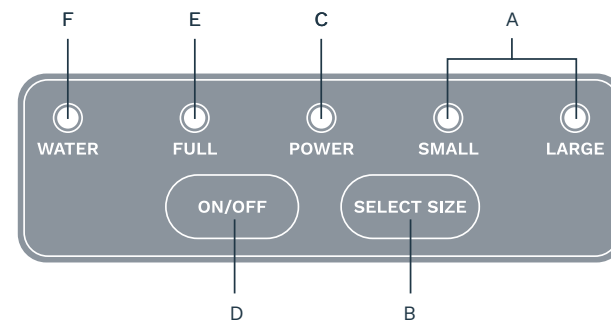
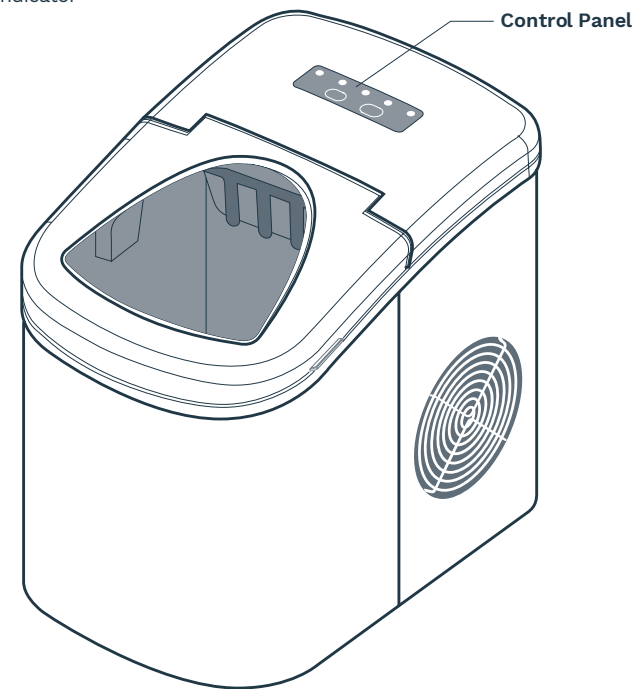
8

GETTING TO KNOW YOUR ICE MAKER

POSITION OF CONTROL PANEL & FUNCTION

Control Panel: Easy to use, touch display setting.

- A. Selected ice size indicator: S-Small and L-Large.
- B. "SELECT SIZE" button to select desired size of ice.
- C. POWER indicator.
- D. "ON/OFF" button to turn the appliance power on or off.
- E. Ice-FULL indicator
- F. WATER shortage indicator



9

UNPACKING YOUR ICE MAKER

1. Remove the exterior and interior packaging. Check if ice basket and ice scoop are inside. If any parts are missing, please contact hOme™ Customer Service at 1-800-898-3002.
2. Remove the tape holding the ice shovel, ice basket & ice scoop to the appliance. Clean the tank & ice basket, using soapy water. Let appliance dry completely.
3. Put the appliance on a flat surface without direct sunlight and/or other sources of heat (i.e.: stove, furnace, radiator). Make sure that there is at least a 4 inch (101 mm) gap between the back & LH/RH sides of the wall.
4. Allow one hour for the refrigerant fluid to settle before plugging the appliance in.
5. The appliance must be positioned so that the plug is accessible.
6. Keep in upright position for 24 hours before initial power up.

CONNECTING YOUR ICE MAKER



WARNING: Improper use of the grounded plug can result in the risk of electrical shock. If the power cord is damaged, please contact hOme™ Customer Service at 1-800-898-3002.

1. This appliance should be properly grounded for your safety. The power cord of this appliance is equipped with a three-prong plug which couples with standard three prong wall outlets to minimize the possibility of electric shock.
2. Plug your appliance into a secure, properly installed, grounded wall outlet. Do not under any circumstances, cut or remove the third (ground) prong from the power cord. Any questions concerning power and/or grounding should be directed toward a certified electrician.
3. This appliance requires a standard 110-120 volt, 60Hz electrical outlet with three-prong ground.

USING YOUR ICE MAKER

1. Open the cover, remove the ice basket and pour water into tank. Keep water level below the water level mark.
2. Press “Power” button on the control panel to begin the ice making cycle.
3. Select the ice cube size by pressing the “SELECT SIZE” button. If the room temperature is lower than 60°F (15°C), it is recommended to select small in order to avoid ice sticking together.
4. The ice making cycle lasts approx. 6 to 13 minutes, depending on selection of ice cube size and the room temperature. The recommended room temperature is 50°F to 105°F (10°C to 40°C)
5. If water pump can't inject water, the appliance will stop automatically, and the “WATER” shortage indicator will turn on. Press “Power” button, fill water up to the max water level mark and press “Power” button again to turn on the appliance. Allow the refrigerant liquid inside the compressor to settle for at least 3 minutes before restarting.
6. The appliance stops when the ice basket is full and the ice “FULL” indicator is on. **WARNING: Direct sunlight or sunlight reflection may cause infrared sensor malfunction. If the appliance doesn't stop even when ice cubes obstruct the sensor, move the appliance away from sunlight.**
7. Change water in the water reservoir every 24 hours to ensure a reasonable hygiene level. If the appliance isn't to be used, drain all the water from the appliance and dry the tank thoroughly to avoid damage to appliance.

CLEANING AND MAINTAINING YOUR ICE MAKER

Before using your appliance, it is strongly recommended to clean it thoroughly.

1. Remove the ice basket from the appliance.
2. Clean the interior of the appliance with diluted detergent, warm water and a soft cloth.
3. Then use the water to rinse the inside parts, and drain out the water by unplugging the drain cap on front bottom side of the appliance.
4. The outside of the appliance should be cleaned regularly with a mild detergent solution and warm water.
5. Dry the interior and exterior of the appliance with a clean soft cloth.
6. When the appliance is not in use for an extended period of time, drain water completely & dry the interior of the appliance.

TROUBLESHOOTING

PROBLEM	POSSIBLE CAUSE	SOLUTION
WATER shortage indicator is on.	Lack of Water.	Stop the appliance, by pressing the “ON/OFF” button. Fill water, and press “ON/OFF” button again to restart the appliance.
FULL indicator is on.	Ice is full in basket.	Remove ice from ice basket. Continuously hold “SELECT SIZE” button for 5 seconds, the appliance can make 10 even cycles of ice even when “FULL” indicator is on.
Ice cubes are sticking together.	The ice making cycle is too long.	Stop the appliance by pressing the “ON/OFF” button, and restart it when the ice blocks melt. Select the small size ice cube selection.
	Water temperature in inner tank is too low.	Replace the water. Temperature of water recommended at 40°F - 90°F (4°C - 32°C).
Ice making cycle is normal but no ice is being formed.	Room temperature or water temperature in inner tank is too high.	The room temperature should be: 50°F - 105°F (10°C - 40°C), water temperature should be: 40°F - 90°F (4°C - 32°C)
	Refrigerant in cooling system is leaking.	Contact hOme™ Customer Service at 1-800-898-3002.
	Pipe in the cooling system is blocked.	Contact hOme™ Customer Service at 1-800-898-3002.

WARRANTY

hOme™ offers a limited two-year warranty (“warranty period”) on all of our products purchased new and unused from hOme Technologies, LLC or an authorized reseller, with an original proof of purchase and where a defect has arisen, wholly or substantially, as a result of faulty manufacture, parts or workmanship during the warranty period. The warranty does not apply where damage is caused by other factors, including without limitation: (a) normal wear and tear; (b) abuse, mishandling, accident, or failure to follow operating instructions; (c) exposure to liquid or infiltration of foreign particles; (d) servicing or modifications of the product other than by hOme™; (e) commercial or non-household use.

The hOme™ warranty covers all costs related to restoring the proven defective product through repair or replacement of any defective part and necessary labor so that it conforms to its original specifications. A replacement product may be provided instead of repairing a defective product. hOme™’s exclusive obligation under this warranty is limited to such repair or replacement.

A receipt indicating the purchase date is required for any claim, so please keep all receipts in a safe place. We recommend that you register your product on our website, homelabs.com/reg. Although greatly appreciated, the product registration is not required to activate any warranty and product registration does not eliminate the need for the original proof of purchase.

The warranty becomes void if attempts at repair are made by non-authorized third parties and/or if spare parts, other than those provided by hOme™, are used.

You may also arrange for service after the warranty expires at an additional cost.

These are our general terms for warranty service, but we always urge our customers to reach out to us with any issue, regardless of warranty terms. If you have an issue with a hOme™ product, please contact us at 1-800-898-3002, and we will do our best to resolve it for you.

This warranty gives you specific legal rights, and you may have other legal rights which vary from state to state, country to country or province to province. The customer may assert any such rights at their sole discretion.

WARNING

Keep all plastic bags away from children.

State of California Proposition 65 Warnings:

⚠ Warning: This product can expose you to chemicals including Lead and Phthalates, which are known to the State of California to cause cancer and birth defects or other reproductive harm. For more information go to www.P65Warnings.ca.gov/.

CONTACT US

 CHAT WITH US

homelabs.com/chat

 Call US

[1-\(800\)-898-3002](tel:1-800-898-3002)

 EMAIL US

help@homelabs.com



For Household
Use Only

1-800-898-3002
help@homelabs.com
homelabs.com/help

© 2018 hOmeLabs LLC
37 East 18 Street, 7th Floor
New York, NY 10003

All rights reserved. hOme™. Printed in China.