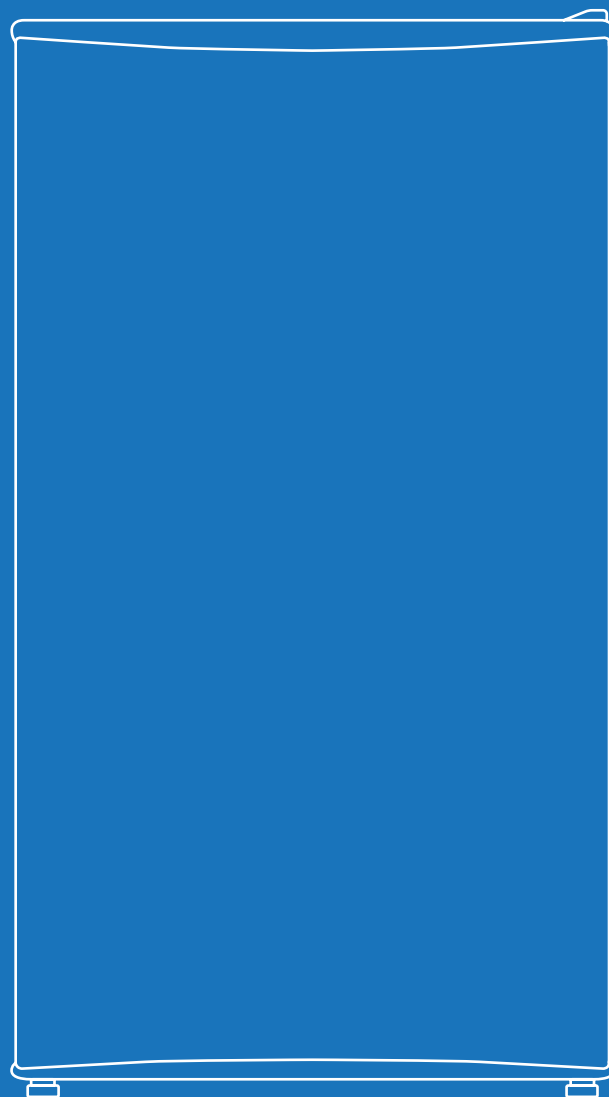


MINI REFRIGERATOR

home™
homelabs.com

3.3 Cubic Feet



BEFORE FIRST USE:

To prevent any internal damage, it is very important to keep refrigeration units (like this one) upright throughout their journey. Please leave it standing upright and outside the box for **24 HOURS** before plugging it in.

TABLE OF CONTENTS

Important Safety Instructions	6-7
Parts Description	8
Operation	9
Maintenance	10
Troubleshooting	10-11
Warranty	11
Manufacturing Info	12
Warning	12
Contact Us	12

Congratulations

on bringing home your new appliance!



Don't forget to register your product at homelabs.com/reg for updates, coupons, and other relevant information.

Although greatly appreciated, product registration is not required to activate any warranty.

IMPORTANT SAFETY INSTRUCTIONS

- This appliance is not intended for use by persons (including children) with reduced physical, sensory or mental capabilities, or lack of experience and knowledge unless they have been given supervision or instruction concerning use of the appliance by a person responsible for their safety.
- Children should be supervised to ensure that they do not play with the appliance.
- Keep ventilation openings that are located in and around the appliance clear of any obstructions.
- Do not use mechanical devices or other means to accelerate the defrosting process, other than those recommended by the manufacturer.
- Do not store explosive substances, such as aerosol cans with flammable propellant, in this appliance.
- Do not use extension cords or ungrounded (two-prong) adapters.
- This appliance is intended to be used in households and similar applications, such as staff kitchen areas in shops, offices and other working environments; hotels, motels, and other residential type environments; bed and breakfast type environments; and catering and similar non-retail applications.

WARNINGS RELATED TO ELECTRICITY

- Do not pull the power cord when pulling the power plug of the mini refrigerator. Please firmly grasp the plug and pull it out from the socket directly.
- Do not damage the power cord under any condition. Do not use the power cord when it is damaged or worn.
- Please use a dedicated, three-hole power socket, which is not shared with other electrical appliances.
- Please ensure that the grounding electrode of the power socket is equipped with a reliable grounding line.
- In case of leaking gas, turn off the leaking valve and open your doors and windows. Do not unplug the refrigerator yourself as it may cause a fire. Contact customer support.
- For your safety, do not place electric devices on top of the refrigerator.

WARNINGS RELATED TO USE

- Do not disassemble the refrigerator or damage the refrigerant circuit.
- To prevent injury, be careful not to get your fingers between the refrigerator door and body.
- Keep the refrigerator out of moist, damp, or humid environments and situations, so as not to damage the electrical insulation.
- Do not use the base, refrigerator door, etc. as a pedal or support.
- To prevent accidental damage or injury, do not place heavy objects on top of the refrigerator.
- In order to avoid frostbite, when the refrigerator is running, do not grab foods or containers, especially metal containers, in the freezing chamber with wet hands.

WARNINGS RELATED TO PLACEMENT

- To prevent accidents or damage to the product, do not put flammable, explosive, volatile, or highly corrosive items in the refrigerator.
- Do not place flammable items near the refrigerator to avoid a fire hazard.
- This refrigerator is intended for household use, mainly for the storage of foods. It shall not be used for other purposes, such as storage of blood, drugs, and biological products.
- Do not store beer, beverage or other fluid contained in bottles or enclosed containers in the freezing chamber of the refrigerator; otherwise, the bottles or enclosed containers may crack due to freezing and cause damages.
- Do not cover or close the ventilation and exhaust holes.



Warning: Risk of fire or explosion. Flammable refrigerant used.
Do not puncture the refrigerant tubing of this appliance.

IMPORTANT SAFETY INSTRUCTIONS

WARNINGS RELATED TO ENERGY

- The refrigerator may not operate consistently when used for an extended period of time below the low-temperature range for which the refrigerator is designed.
- Do not exceed the storage time recommended by the food manufacturers for any kind of food, particularly quick-frozen food in the freezer.
- To prevent an unexpected rise in the temperature of the frozen food while defrosting the refrigerator, wrap the frozen food in several layers of paper.
- A rise in temperature of the frozen food during manual defrosting, maintenance or cleaning could shorten the storage life.

WARNINGS RELATED TO DISPOSAL

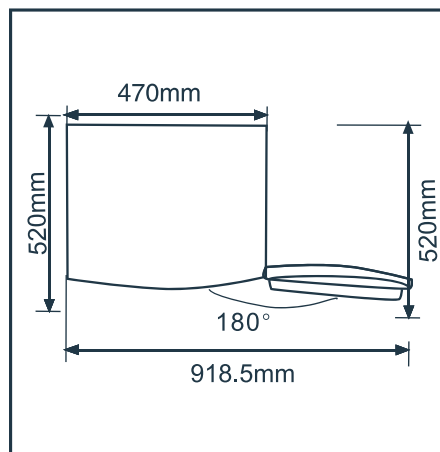
- The refrigerant and cyclopentane foaming material used for the refrigerator are flammable. To prevent damage to the environment or any other harm, it is important that when this refrigerator is no longer of use, dispose of it properly, away from any fire sources and handled by a special and authorized company with the corresponding qualifications.
- When the refrigerator is disposed of, disassemble the door and remove the gasket of door and shelves. Put the door and shelves in a proper place to prevent the trapping of children.

SAVE THESE INSTRUCTIONS

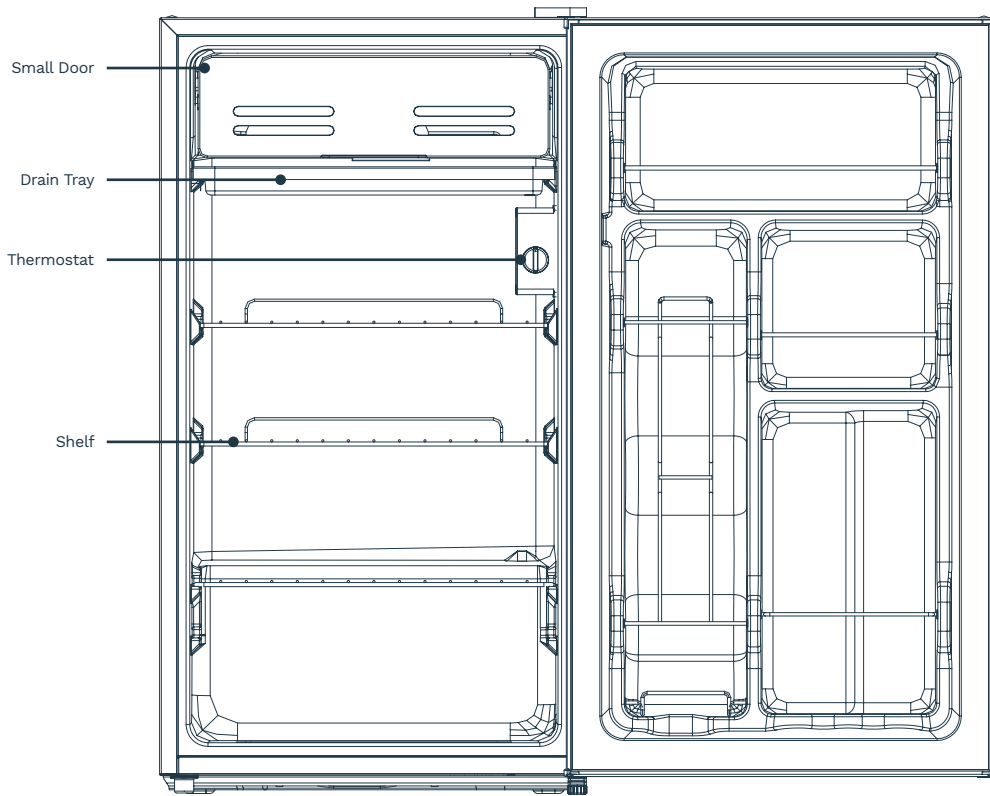
For Household Use Only

PLACEMENT

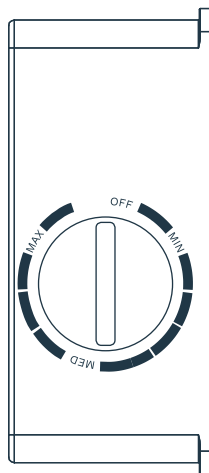
- Before using the refrigerator, remove all packaging materials, including bottom cushions, foam pads, and tape inside the refrigerator. Tear off the protective film on the door and the refrigerator body.
- Make sure the refrigerator is placed in a well-ventilated, indoor environment on flat and sturdy ground.
- Do not spray or wash the refrigerator. To protect the electrical insulation properties of the refrigerator, do not put the refrigerator in moist places.
- Avoid putting the refrigerator in direct sunlight or too close to a heat source. If it can't be avoided, keep a safe distance of at least 30 cm between the refrigerator and a stove or furnace. In that case, we also advise applying an insulation board.
- The top space of the refrigerator shall be greater than 30 cm. Keep a circulation space of at least 10 cm on both sides of the refrigerator to facilitate heat dissipation.



DESCRIPTION OF PARTS

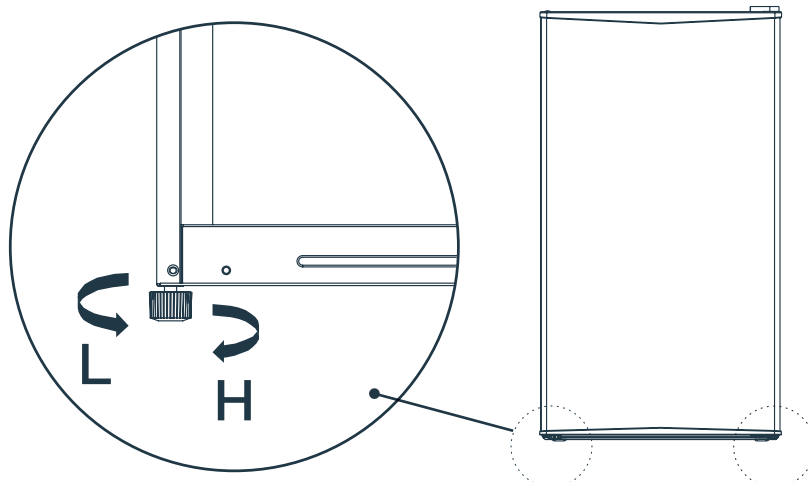


Thermostat



Leveling Feet

1. Turn the feet clockwise to raise the refrigerator.
2. Turn the feet counterclockwise to lower the refrigerator.
3. Adjust the right and left feet based on the procedures above to a horizontal level.



PROPER USE OF THE REFRIGERATOR

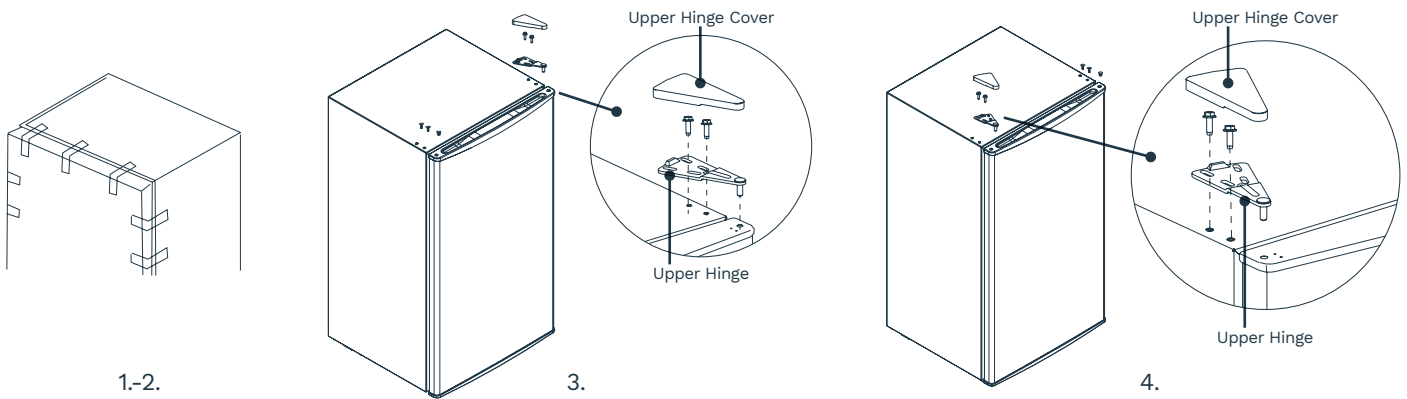
Energy Conservation

- The refrigerator should be placed in a room that is dry and ventilated. The refrigerator cannot be placed under direct sunlight or next to a heat source (such as a radiator, stove, etc.), and a suitable insulation board must be applied if necessary.
- Try to shorten the time the refrigerator’s door is open.
- Avoid putting warm beverages in the refrigerator.

Door Orientation Change

Follow the steps below if you want to change the door orientation from left-hinge to right-hinge:

1. Power off the refrigerator.
2. Fix the door with tape.
3. Use a screwdriver to remove upper and lower left hinge (triangle with 3 screws).
4. Transfer the hinge to the right of the refrigerator and attach to the right side of the door.



INTRODUCTION TO FUNCTIONS

- The refrigerating chamber is suitable for the storage of a variety of fruits, vegetables, beverages and other food consumed in the short term.
- Have food cool to room temperature before putting it into the refrigerator.
- Food is recommended to be sealed up before putting it into the refrigerator.
- The glass shelves can be adjusted up or down for a proper storage space at your choice.
- To lower the internal temperature of the refrigerator, turn the temperature control knob to MAX (recommended on hot summer days).
- To raise the internal temperature of the refrigerator, turn the temperature control knob to MIN.
- When the thermostat control knob is set to OFF, the refrigerator will not be running.
- It is the recommended to set the thermostat knob to MED for initial use.

NOTE:

- Storage of too much food after the initial connection to power may affect the freezing effect of the refrigerator.

MAINTENANCE

DISCONNECTING THE REFRIGERATOR

Unplug the power plug from the socket before cleaning or defrosting.

NOTE: Do not use hard brushes, wire brushes, abrasives, organic solvents, boiling water, acid, or alkaline items for cleaning or defrosting as this may damage the surface and interior of the unit.

CLEANING YOUR REFRIGERATOR

Dusting behind the refrigerator and on the ground will improve the cooling effect and save energy. The interior of the refrigerator should be cleaned to avoid any odor. Follow the cleaning procedure below:

1. Unplug the refrigerator.
2. Wipe the door seal with warm water.
3. Use soap and warm water to clean the refrigerator.
4. Reconnect the refrigerator when the refrigerator is clean and dry.

DEFROSTING YOUR REFRIGERATOR

1. Unplug the refrigerator.
2. Remove the food from the refrigerator and place it properly to prevent food from melting.
3. Clear the drain pipe with a soft cloth. Prepare the water container for defrosting. Pay attention when cleaning the compressor compartment water draining tray. Avoid overflow to the ground.
4. You can defrost naturally at room temperature, or use a plastic or wooden ice shovel to eliminate the frost.
5. You can also use the appropriate amount of hot water to speed up the defrosting. Use a dry towel to clean the water after defrosting.
6. After defrosting, store the foods back in the cabinet.
7. Power on the refrigerator.

TROUBLESHOOTING

PROBLEM	POSSIBLE CAUSES	POSSIBLE SOLUTIONS
Refrigerator isn't cool enough.	The door is being opened too often. The refrigerator is too full.	Reduce the frequency of opening the door and give it 4-5 hours in between openings. Reduce the food inside the refrigerator.
Refrigerator does not work.	The power is off or the refrigerator isn't plugged in.	Make sure that the refrigerator is plugged in. Check whether there is a power failure.
Surface condensation.	Condensation on the exterior surface and door seal of the refrigerator is normal when the ambient humidity is too high.	Wipe away any drops of water with a clean towel.

TROUBLESHOOTING

PROBLEM	POSSIBLE CAUSES	POSSIBLE SOLUTIONS
The door cannot be properly or tightly closed.	The door is stuck due to food or bottles. The refrigerator is tilted.	Reduce or properly arrange the food inside. Level the feet to make it horizontal. Clean the door seal.
Odor.	Odorous or rotten food has been placed inside the refrigerator.	Odorous food shall be tightly wrapped. Check whether there is any rotten food. Clean the inside of the refrigerator.
Loud noise.	The refrigerator is tilted.	Check whether the refrigerator is placed on a stable surface.
Casing feels hot.	The ambient temperature is high or too much food is placed inside the refrigerator.	It is normal on hot summer weather. Reduce the food inside the refrigerator.

WARRANTY

hOme™ offers a limited two-year warranty (“warranty period”) on all of our products purchased new and unused from hOme Technologies, LLC or an authorized reseller, with an original proof of purchase and where a defect has arisen, wholly or substantially, as a result of faulty manufacturing, parts or workmanship during the warranty period. The warranty does not apply where damage is caused by other factors, including but without limitation: (a) normal wear and tear; (b) abuse, mishandling, accident, or failure to follow operating instructions; (c) exposure to liquid or infiltration of foreign particles; (d) servicing or modifications of the product other than by hOme™; (e) commercial or non-household use.

The hOme™ warranty covers all costs related to restoring the proven defective product through repair or replacement of any defective part and necessary labor so that it conforms to its original specifications.

A receipt indicating the purchase date is required for any claim, so please keep all receipts in a safe place. We recommend that you register your product on our website, homelabs.com/reg. Although greatly appreciated, the product registration is not required to activate any warranty and product registration does not eliminate the need for the original proof of purchase.

The warranty becomes void if attempts at repair are made by non-authorized third parties and/or if spare parts, other than those provided by hOme™, are used.

You may also arrange for service after the warranty expires at an additional cost.

These are our general terms for warranty service, but we always urge our customers to reach out to us with any issue, regardless of warranty terms. If you have an issue with a hOme™ product, please contact us at 1-800-898-3002, and we will do our best to resolve it for you.

This warranty gives you specific legal rights, and you may have other legal rights which vary from state to state, country to country or province to province. The customer may assert any such rights at their sole discretion.

MANUFACTURING INFO

This manual is to be used with all items with the model number

HME030210N

SKU# : HME030210N
PART#: HME030210MNL

RATING: 115 V, 60 Hz, 72 WATTS, AC ONLY

WARNING

Keep all plastic bags away from children.

State of California Proposition 65 Warnings:

⚠ Warning This product can expose you to chemicals including lead, which is known to the State of California to cause cancer, as well as bisphenol A (BPA) and lead which are known to the State of California to cause birth defects or other reproductive harm. For more information go to: www.P65Warnings.ca.gov/.

CONTACT US

 CHAT WITH US

homelabs.com/chat

 CALL US

1-(800)-898-3002

 EMAIL US

help@homelabs.com



For Household
Use Only

1-800-898-3002
help@homelabs.com
homelabs.com/help

© 2016 hOme Technologies, LLC
37 East 18 Street, 7th Floor
New York, NY 10003