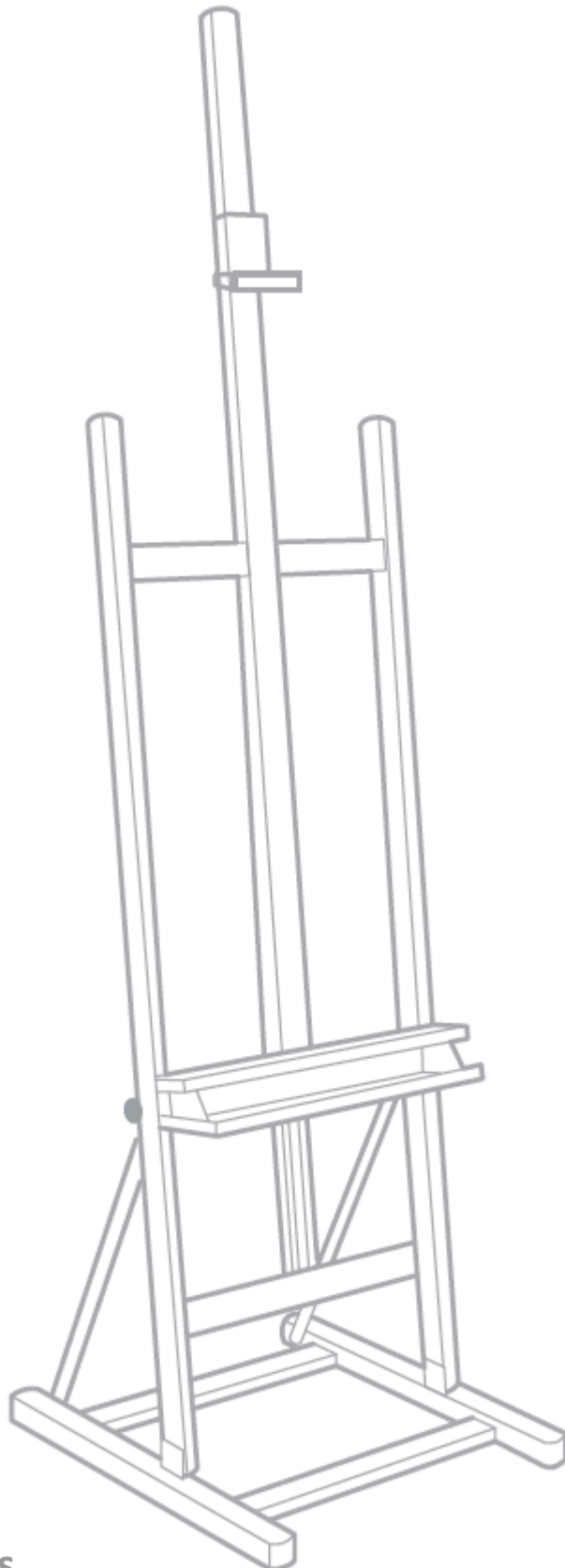


TIBER

STUDIO EASEL



Assembly Instructions

Contents

Boxed contents:



Unboxed :



Screw and bolt set:



You will also need: Adjustable spanner, Philips screwdriver and a small hammer.

1 (canvas holder)

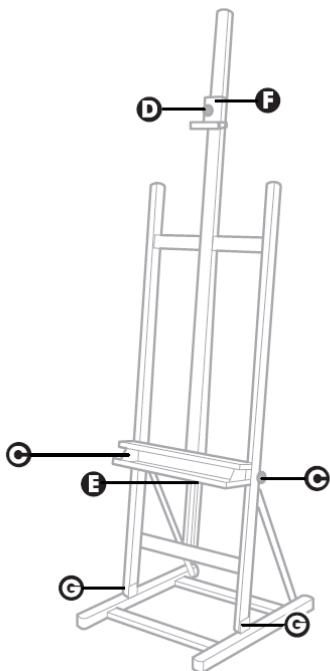
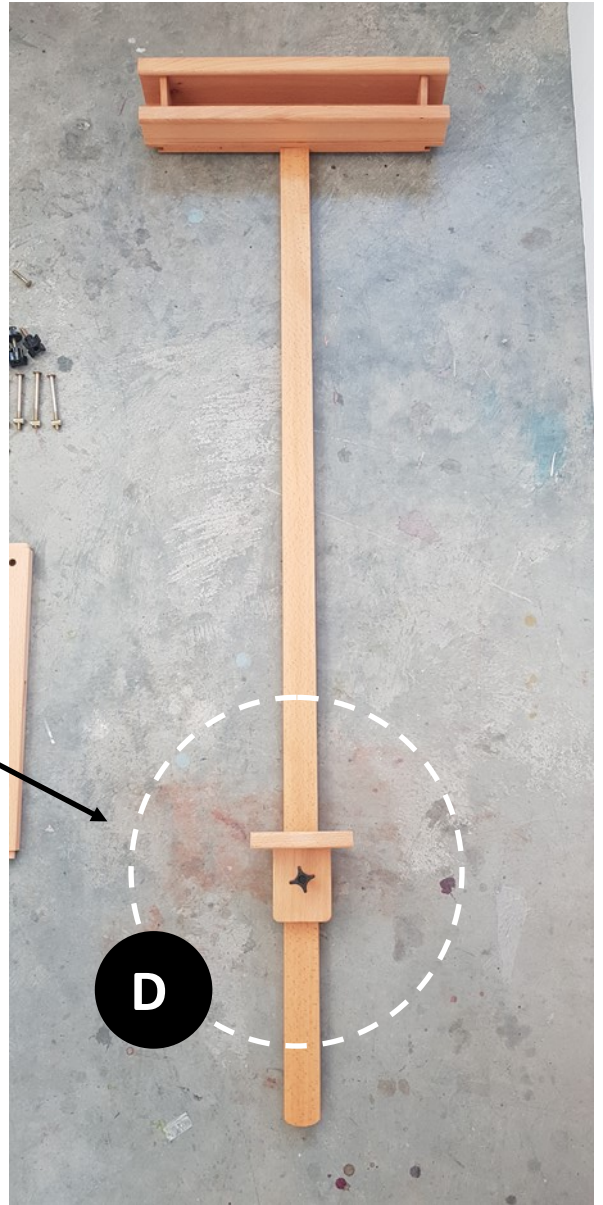


1.1

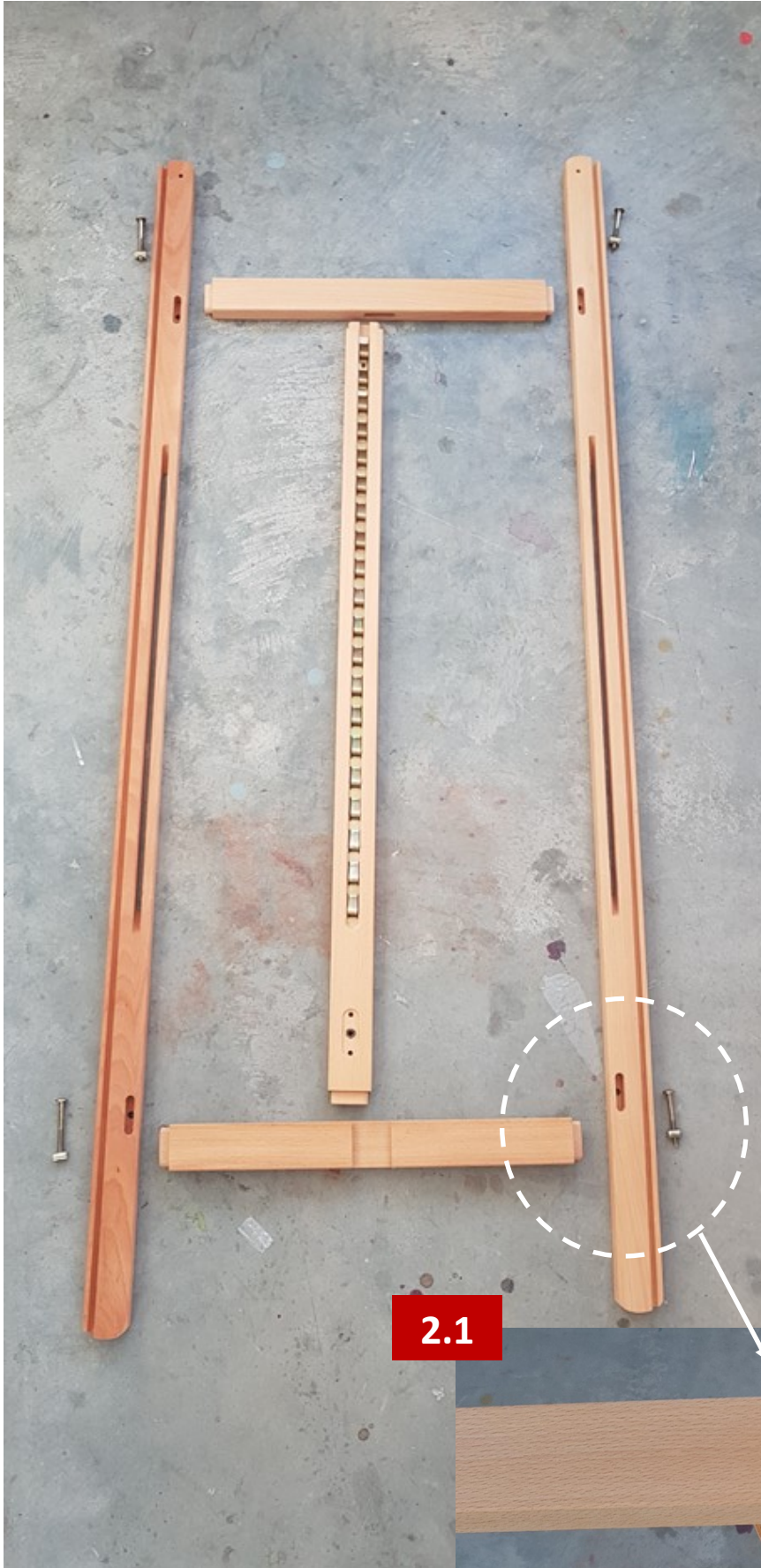
C



1.2



2 (main frame)



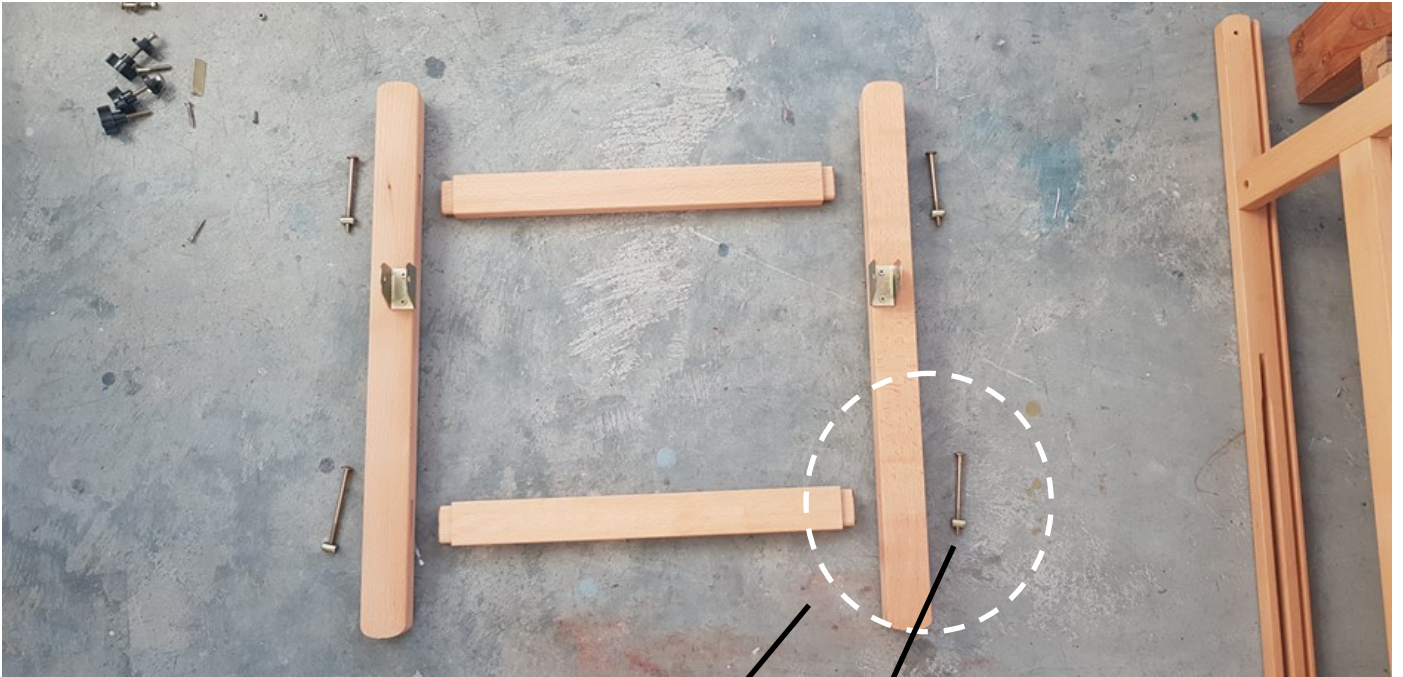
2.1



2.2

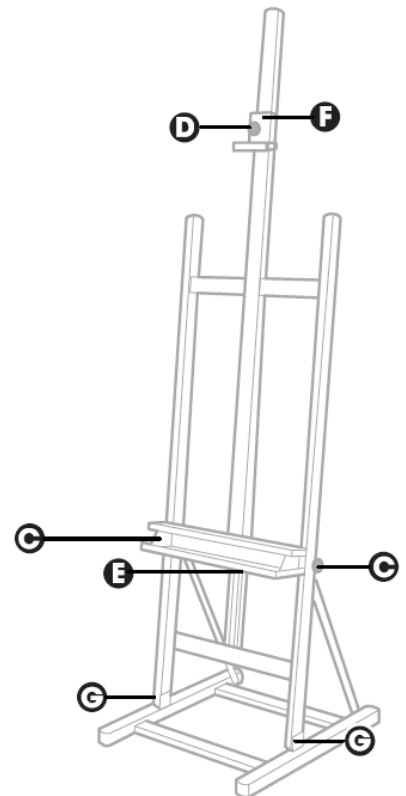
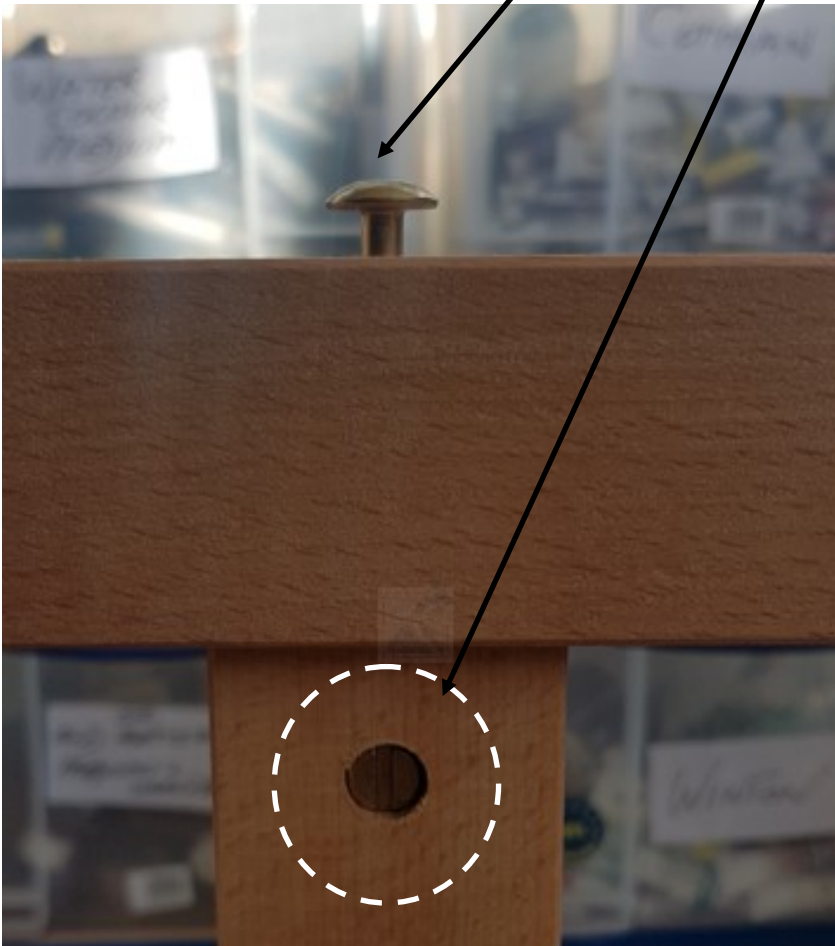


3 (base & feet)

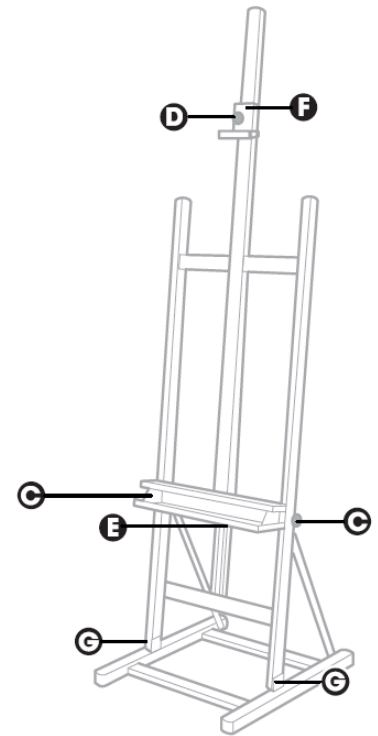
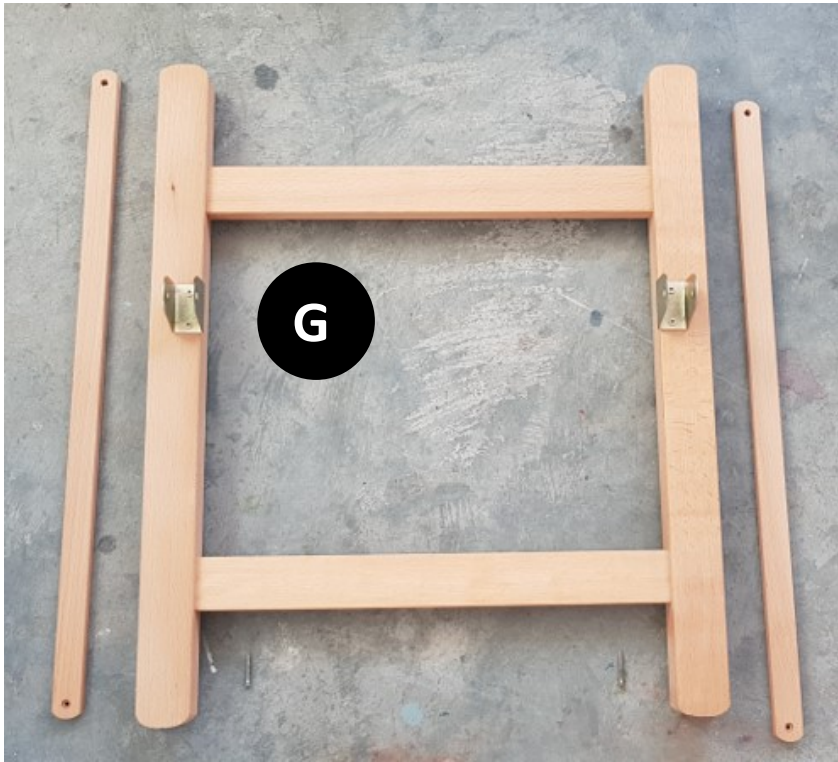


3.1

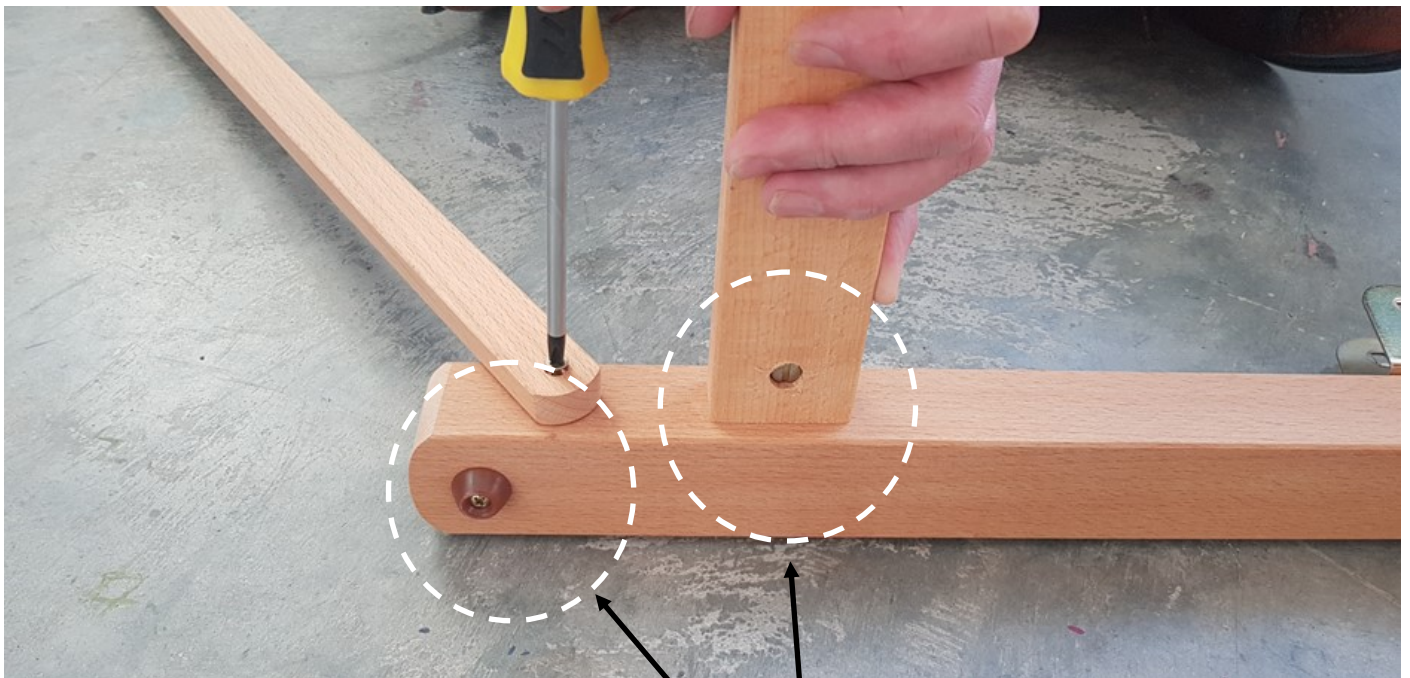
X 4



4



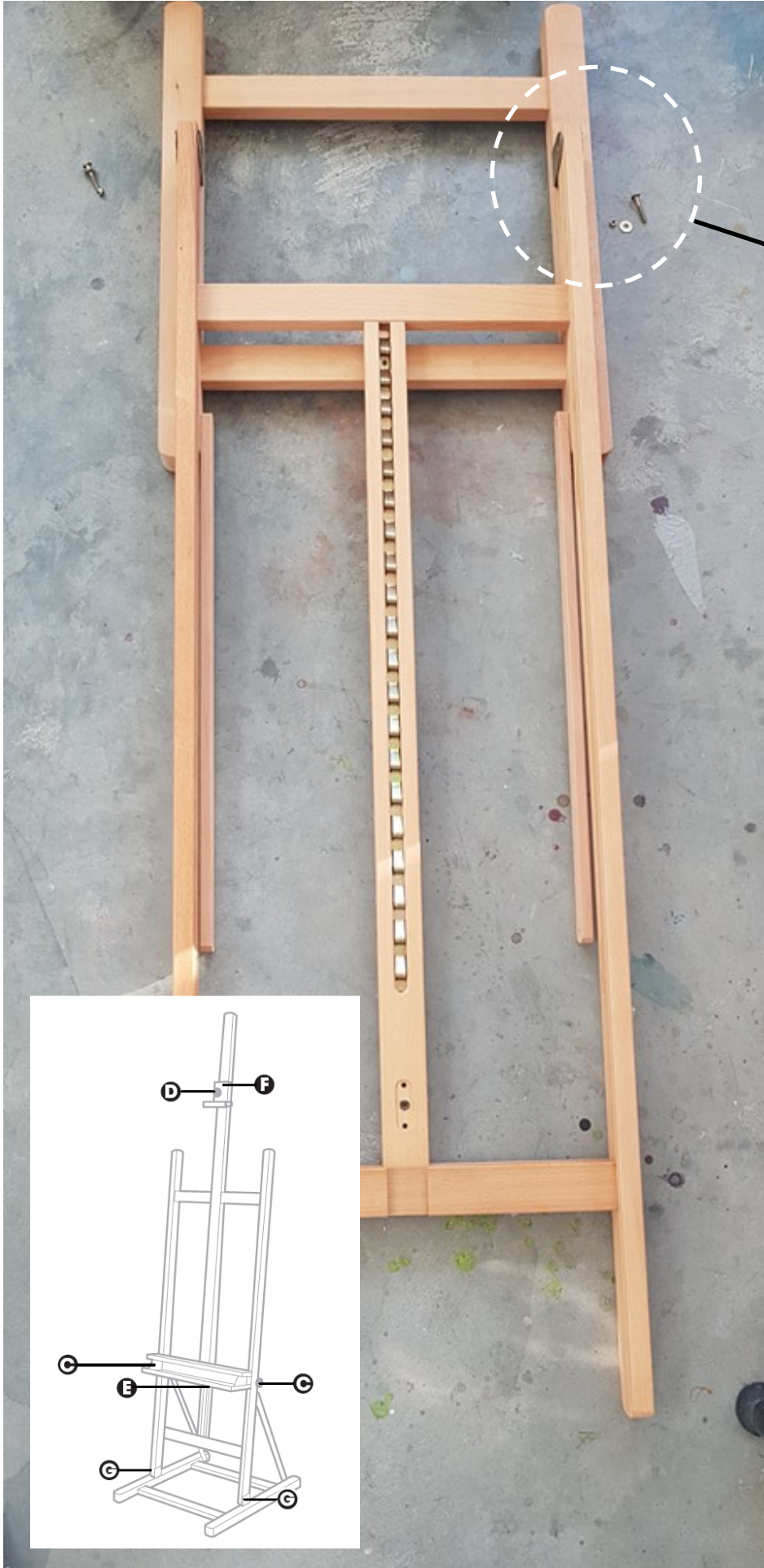
4.1



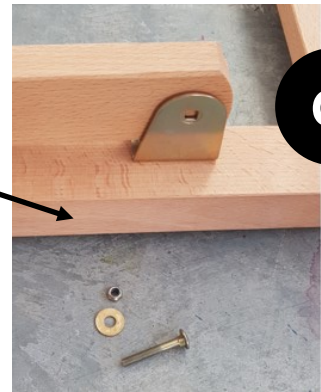
X 2

Note position of feet and screw

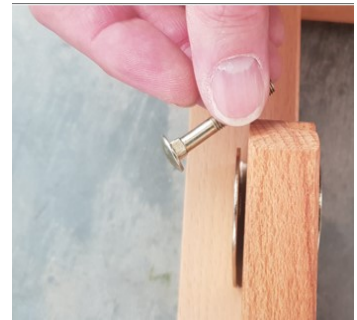
5(attach main frame to base)



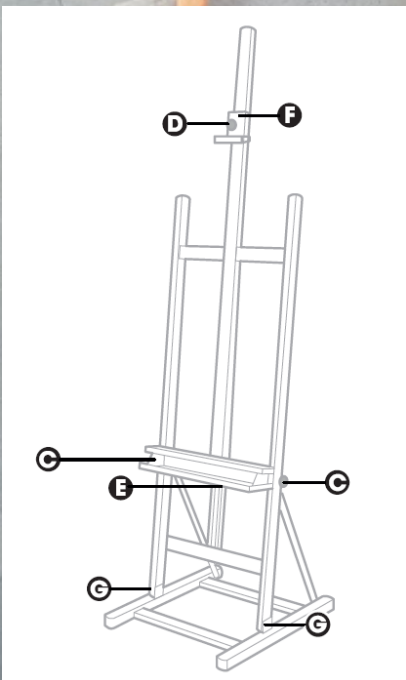
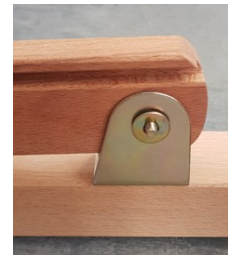
5.1



5.2



5.3





6.1



6.2

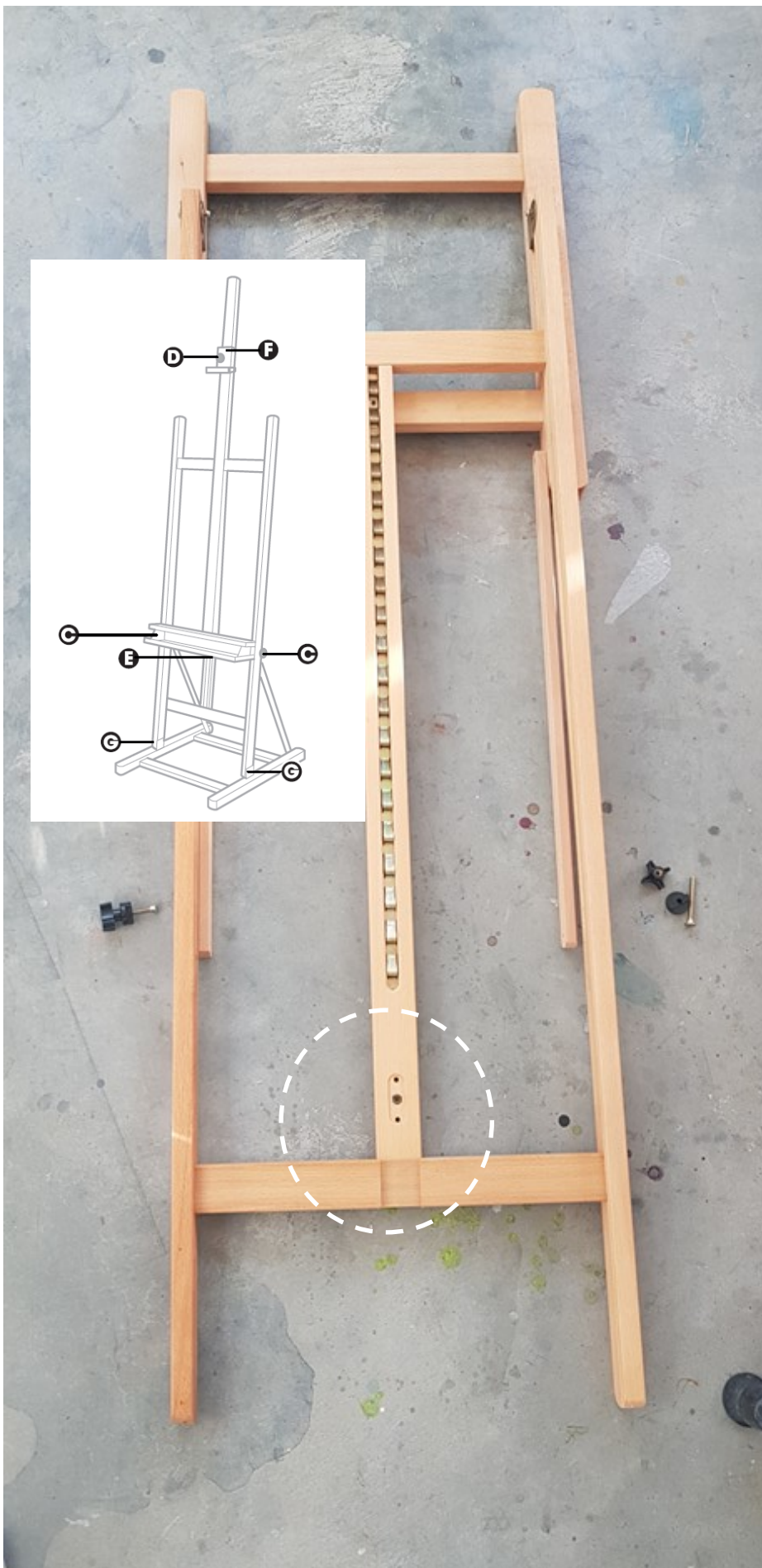


6.3



6.4





7.1

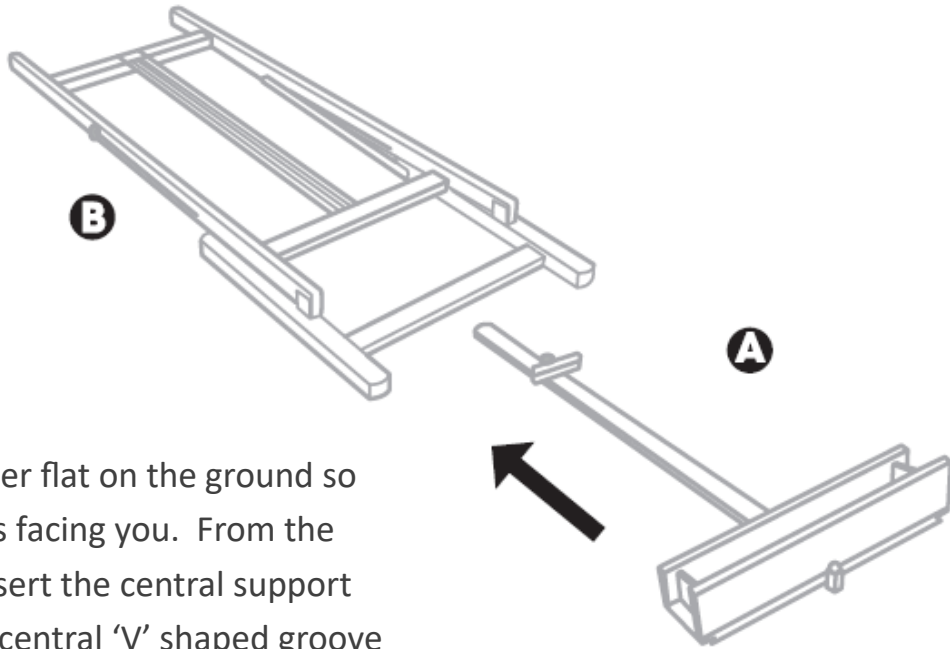
F



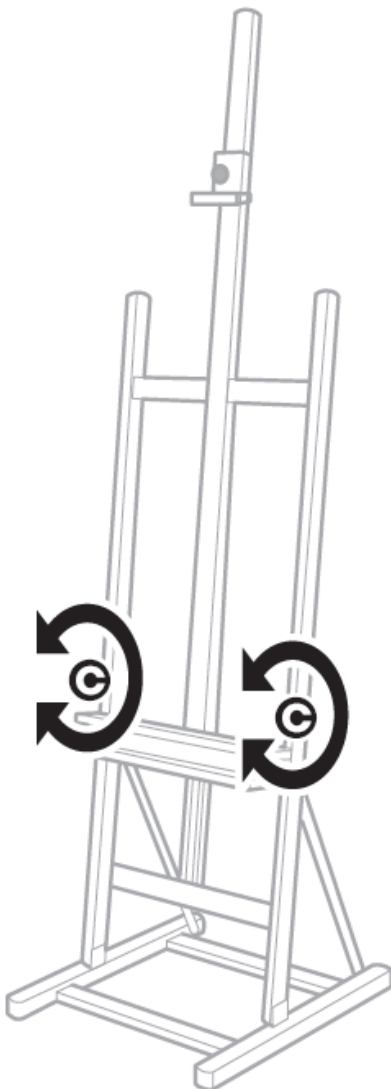
7.2



8.1

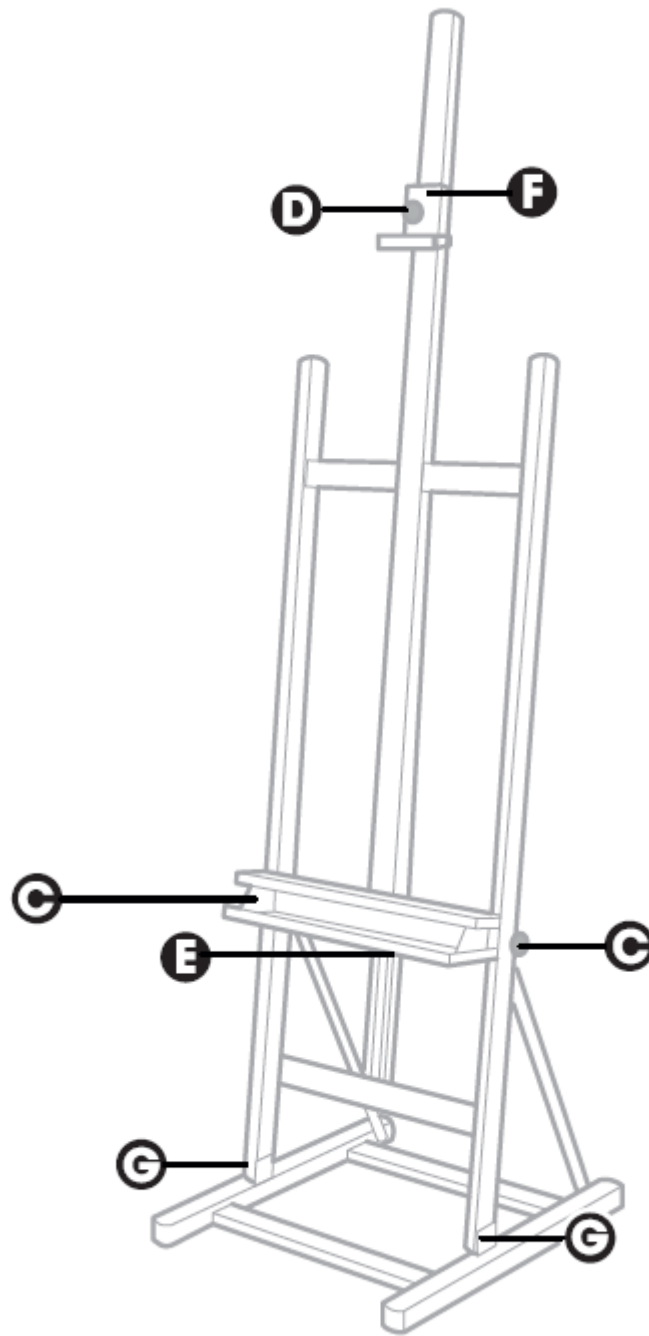


Lay easel holder flat on the ground so that the base is facing you. From the bottom up, insert the central support mast into the central 'V' shaped groove (top first) located on 'B'.



8.2

Raise the easel to the vertical position by unscrewing the black knobs 'C' on the side of the easel and lifting it upwards, then tighten 'C' to secure.



The central support can be adjusted to the desired working height by pulling out the catch 'E' from underneath the canvas support and raising/lowering it to the adjusted height. The height of the top canvas holder can also be adjusted by unscrewing knob 'D', adjusting and then tightening 'D' to secure..