

Discovery Vertical 140 suspension

SPECIFICATIONS

1994018A



Design By

Ernesto Gismondi

Collection

Design



Specifications

Delivered lumens	6761.93lm
Light output ratio	84.52lm/W
Power consumption	80W
Led type	71W Array*
CCT (Correlated Color Temperature)	3000K
CRI (Color Rendering Index)	>90
Life expectancy	50000Hrs
Control type	Dimmable 2-Wire / Dimmable 0-10V
Input Voltage	120-277V
Driver	EFORE - 2 x RCL050-1050A

Colors & Finishes

- Transparent (Diffuser)
- Polished Aluminum (Rim)

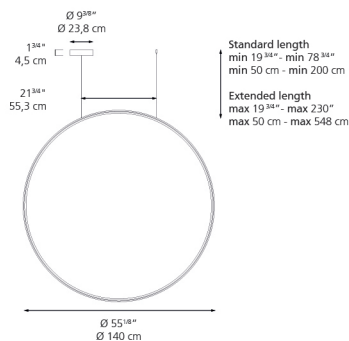
Materials

- Rounded rim in ultra-light aluminum
- Diffuser in clear PMMA

Features & Accessories

- Rim hosts a LED strip injecting light into a clear surface
- Diffuser is transparent when off, filled with light when on
- Extended cable length

Dimensions



Packaging

1 Box

1 x 45-3/8" x 36-11/16" x 3-5/8" / 17.39 lbs - 115 cm x 93 cm x 9 cm / 7.89 kg

Light distribution

Direct

Luminaire weight

0 lbs / 0 kg

Warranty

5 year limited warranty,
Upon registration. Click here
to register your purchase.