

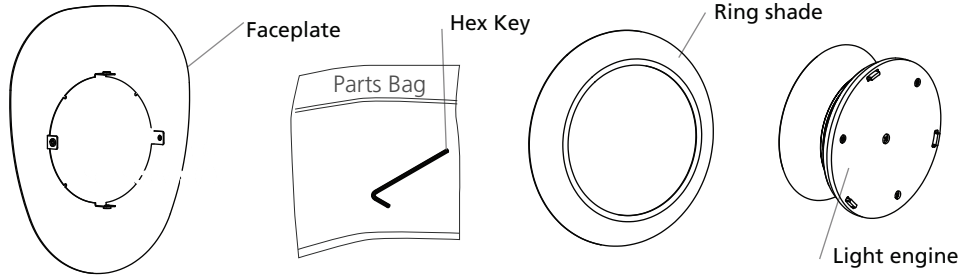


Attention: Read and understand these instructions before installing fixture. This fixture is intended for installation in accordance with the National Electric Code and local regulation. To assure full compliance with local codes and regulations, check with your local electrical inspector before installation. This equipment is guaranteed only when used as indicated in these instructions; therefore they should be kept for future reference. To prevent electrical shock, turn off power supply before carrying out any connection or maintenance operations. During installation, the LED chips may be exposed; please do not touch them to ensure proper long-term operation.

STEP 1

Make sure you have all the elements of the fixture. Your box should contain the following parts:

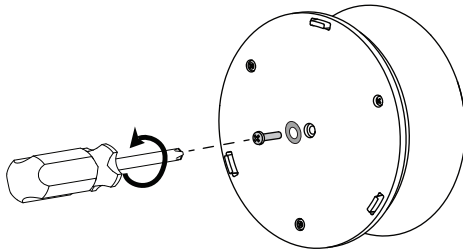
Catalogue number :
USC-RDFAK0****01*



STEP 2

2.1 Remove the middle screw to separate mounting backplate from light engine.

2.1

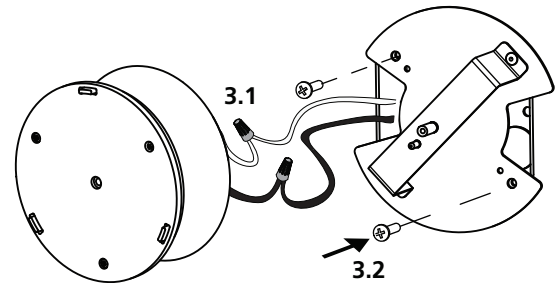


STEP 3

Wiring connexions

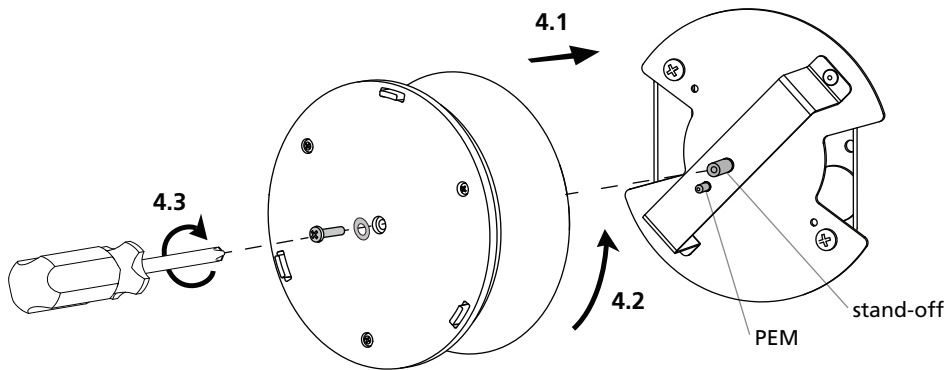
- 3.1 Screw the backplate to junction box (screw not included)
- 3.2 Make appropriate junction box connexions.

FIXTURE WIRES	CEILING WIRES
BLACK	BLACK
WHITE	WHITE



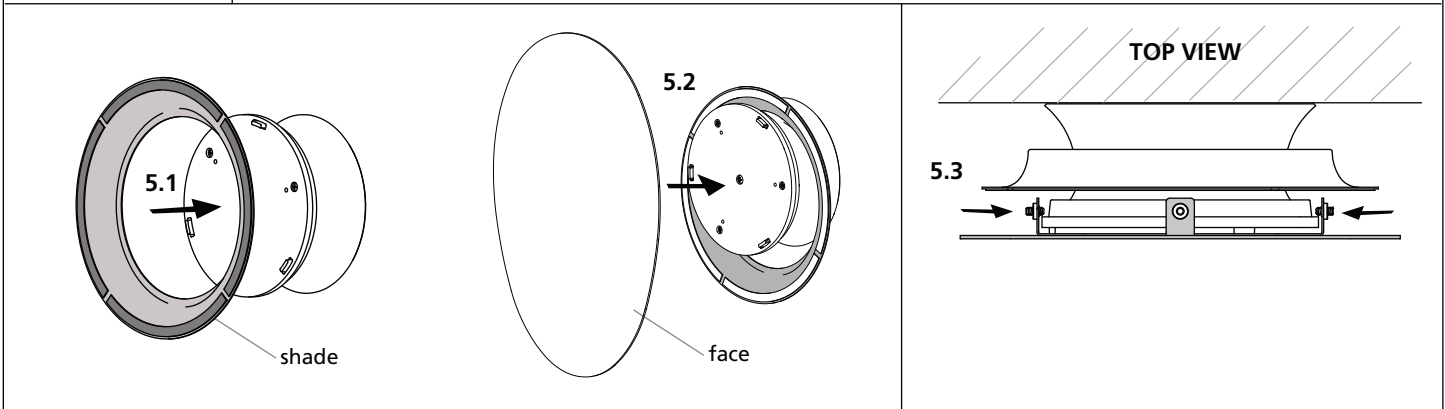
STEP 4

- 4.1 Insert the light engine on the backplate, align center hole with stand-off.
- 4.2 Align the pem on the backplate to the hole in light engine.
- 4.3 Mount the fixture to the backplate and secure it using the screw (removed in STEP 2.1)



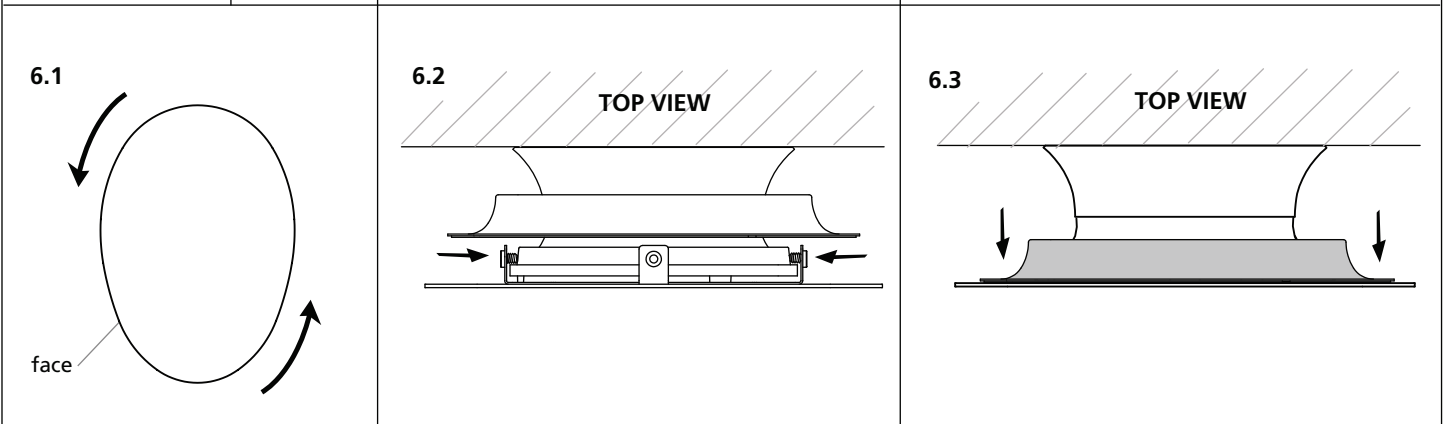
STEP 5

5.1 Insert shade on light engine.
5.2 Place the face on the light engine.
5.3 Hold the face in the diffuser with minimum 2 set-screws provided.



STEP 6

6.1 Orient the faceplate .
6.2 Secure the face by tightening all the set screws. (not too tight)
6.3 Snap the magnetic shade to the back of the faceplate.



Wall dimmer recommended (not included)

For High Output 120V dimming option:
see 100% - 10% dimming compatible with the following electronic low voltage (ELV) dimmers.

Dimmer brand	Model Number	Load QTY	Max Power w/ dimmer (W)	Min Power (W)	Max Power (W)	Dimming Power Range
Lutron	NOVA NLV-600-WH	1	9.66	0.53	9.97	5.49% - 103.21%
		5	47	0.52	47.61	1.11% - 101.30%
		10	94.81	0.57	95.6	0.60% - 100.83%
	MAESTRO MAELV-600-WH	1	9.66	0.69	10	7.14% - 103.52%
		5	47	0.67	48.2	1.43% - 102.55%
		10	94.81	0.90	96.67	0.95% - 101.96%
	DIVA DVELV-303P-WH	1	9.66	0.47	9.8	4.87% - 101.45%
		5	47	0.45	45.19	0.96% - 96.15%
		10	94.81	0.48	91.07	0.51% - 96.06%
	RADIO RA2 RRD-6ND-WH	1	9.66	0.86	10.16	8.90% - 105.18%
		5	47	0.84	46.31	1.79% - 98.53%
		10	94.81	0.86	91.76	0.91% - 96.78%

Dimmer brand	Model Number	Load QTY	Max Power w/ dimmer (W)	Min Power (W)	Max Power (W)	Dimming Power Range
Leviton	VIZIA DECORA CAT-NO. VPE06-1LZ	1	9.66	0.67	10.4	6.94% - 107.66%
		5	47	0.62	47.84	1.32% - 101.79%
		10	94.81	0.72	95.55	0.76% - 100.78%
	DECORA DSE06-10Z	1	9.66	0.72	10.41	7.45% - 107.76%
		5	47	0.70	47.81	1.49% - 101.72%
		10	94.81	0.72	95.47	0.76% - 100.70%
	ILLUMATECH SLIDE DIMMER IPE04-1LZ	1	9.66	3.70	10	38.30% - 103.52%
		5	47	11.58	47.68	24.85% - 101.45%
		10	94.81	14.47	95.67	15.26% - 100.91%