

Gople Suspension chrome extended length

SPECIFICATIONS

1405018A-EXT



Design By

BJARKE INGELS GROUP

Collection

Design



Specifications

Lamp type	LED-T (Non Integrated) ONLY
Lamp	max 20W E26/A19
Lamp Included	No
Control type	DIMMABLE
Input Voltage	120V
Power consumption	N/A
Ballast	N/A

Colors & Finishes

- Transparent (Diffuser)
- Chrome (Gradient)

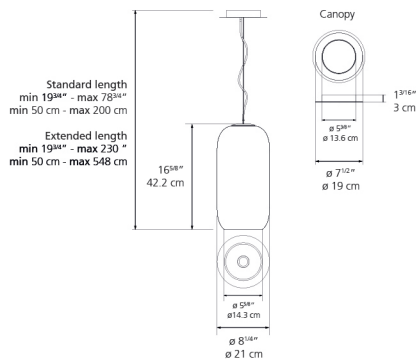
Materials

- Chrome metal canopy
- Diffuser in handblown glass

Features & Accessories

- Handblown glass with vacuum metalized copper coating
- Compatible with T10 LED Light Bulb
- Extended cable length

Dimensions



Packaging

1 Box

1 x 24-1/8" x 16-1/4" x 12-11/16" / 9.46 lbs - 61 cm x 41 cm x 32 cm / 4.29 kg

Light distribution

Direct

Luminaire weight

6.53 lbs / 2.96 kg

Warranty

5 year limited warranty,
Upon registration. Click here
to register your purchase.