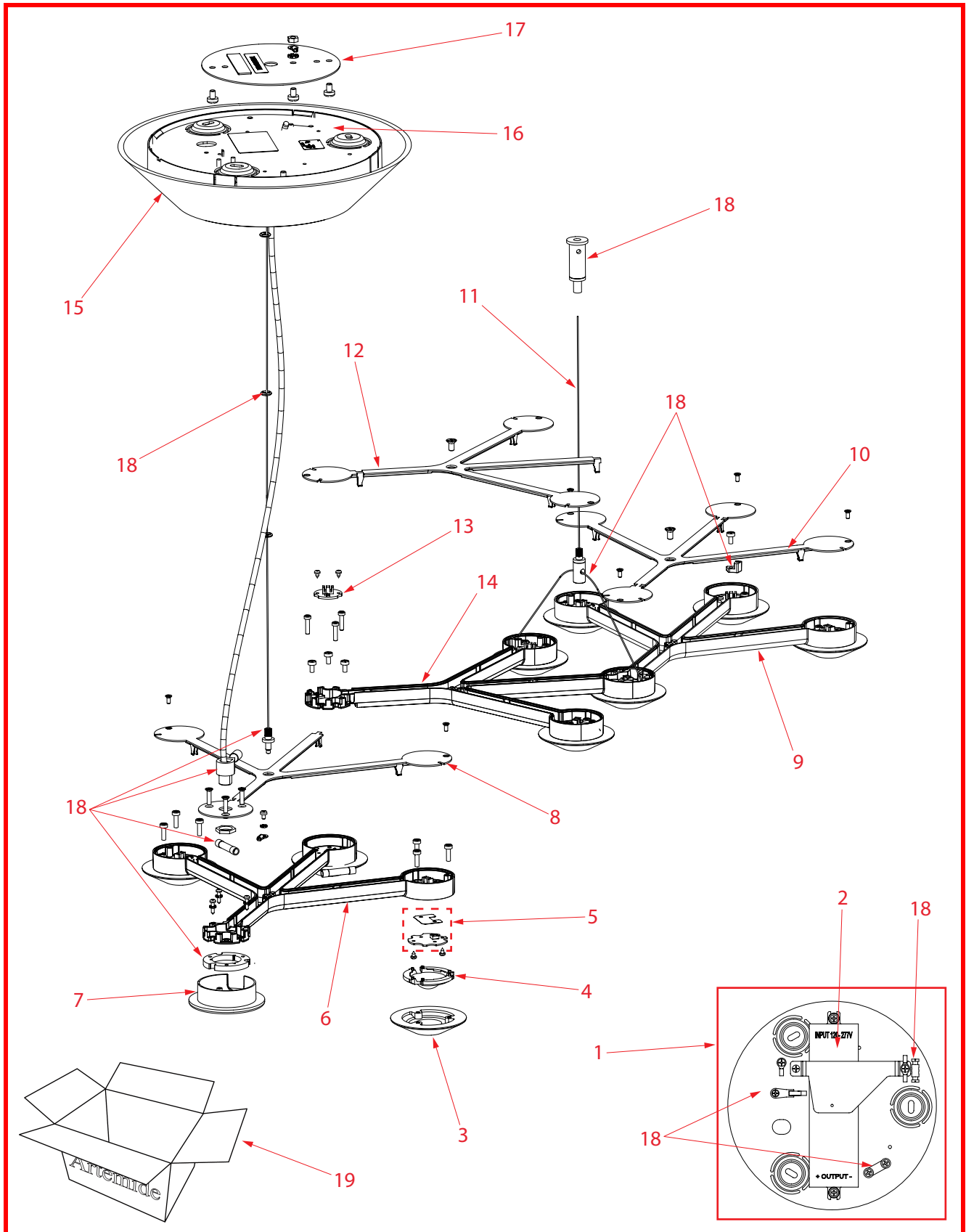


# LED NET SOSPENSIONE 66 LINEARE

design : Michele De Lucchi, Alberto Nason - 2010, 2011

codici : 1589058A

**Artemide®**



Disegno n°: 158958

Revisione: Gennaio 2014

**Artemide S.p.A.**

Via Bergamo, 18  
20010 Pregnana M.se (MI) - Italy  
tel.02/93518.1 - Fax 02/93590254

## LED NET SOSPENSIONE 66 LINEARE

design : Michele De Lucchi, Alberto Nason - 2010, 2011  
codici : 1589058A

**Artemide®**

Pos.	Codice-Code- Art.nr.-Code- Codigo	Note - Notes - Anmerkungen - Notes - Notas	Q.tà-Q.ty- Menge- Q.té-Cant.
1	R304309		1
2	X206000552		1
3	Y201001779		3
4	Y201001761		10
5	R303647		1
6	WAC751501		1
7	Y201001722		4
8	R302854		1
9	WAC8140		1
10	R302855		1
11	Y104002274		3
12	R302853		1
13	Y405000288		1
14	WAC751601		1
15	Y201001778		1
16	WAC7733		1
17	WAC7829		3
18	R304310		1
19	Y508000470		1
20			
21			
22			

Disegno n°: 158958

Revisione: Gennaio 2014

**Artemide S.p.A.**

Via Bergamo, 18  
20010 Pregnana M.se (MI) - Italy  
tel.02/93518.1 - Fax 02/93590254