

Led Net circle suspension extended length

SPECIFICATIONS

1575058A-EXT



Design By

Michele De Lucchi
Alberto Nason

Collection

Design



Specifications

Delivered lumens	1883lm
Light output ratio	62.77lm/W
Power consumption	30W
Led type	28W Array*
CCT (Correlated Color Temperature)	3000K
CRI (Color Rendering Index)	>80
Life expectancy	50000Hrs
Control type	Dimmable 0-10V
Input Voltage	120-277V
Driver	ROAL - 1 x RSLD035-16

Colors & Finishes

White

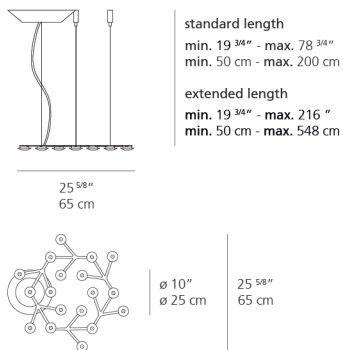
Materials

- Structure in painted aluminum
- Each LED is fitted with a methacrylate lens and satin finish methacrylate lens-holder

Features & Accessories

- Extended cable length
- Dimmer Adaptor 0-10V to Wireless (W001-00355)

Dimensions



Packaging

1 Box

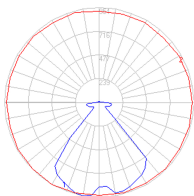
1 x 29-5/8" x 29-5/8" x 4-13/16" / 11.9 lbs - 75 cm x 75 cm x 12 cm / 5.4 kg

Light distribution

Direct

Luminaire weight

4.74 lbs / 2.15 kg



Warranty

5 year limited warranty,
Upon registration. Click here
to register your purchase.

Red = Max Cd. Through Vertical plane

Blue = Max Cd. Through Horizontal plane