

# nh S3 14 suspension

1276018A

## SPECIFICATIONS



### Design By

NERI&HU

### Collection

Design



### Specifications

Lamp type	LED-T (Non Integrated) ONLY
Lamp	max 3X5W LED E12/G16.5
Lamp Included	No
Control type	Dimmable 2-Wire
Input Voltage	120V
Power consumption	15W
Ballast	N/A

### Colors & Finishes

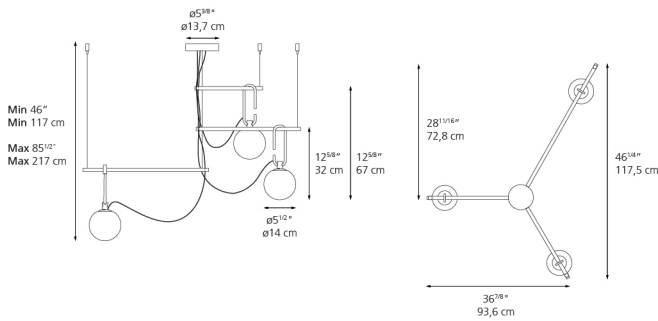
- White Glass (Diffuser)
- Brushed Brass (Ring)
- Black (Stem)

### Materials

- Diffuser in white blown glass
- Adjustable ring in a brushed brass
- Structure in metal painted black

### Features & Accessories

### Dimensions



### Packaging

1 Box

1 x 43" x 18-9/16" x 9-1/8" / 14.54 lbs - 109 cm x 47 cm x 23 cm / 6.595 kg

### Light distribution

Diffused

### Luminaire weight

7.64 lbs / 3.47 kg

### Warranty

5 year limited warranty, Upon registration. Click here to register your purchase.