

nh1217 table

1217018A

SPECIFICATIONS



Design By

NERI&HU

Collection

Design



Specifications

Lamp type	LED-T (Non Integrated) ONLY
Lamp	max 5W LED E12/G16.5
Lamp Included	No
Control type	Switch (On Cord)
Input Voltage	120V
Power consumption	5W
Ballast	N/A

Colors & Finishes

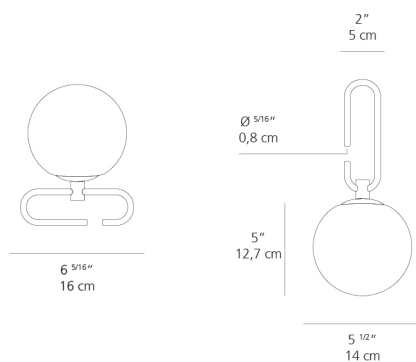
- White Glass (Diffuser)
- Brushed Brass (Ring)

Materials

- Diffuser in white blown glass
- Adjustable ring in a brushed brass
- Structure in metal painted black

Features & Accessories

Dimensions



Packaging

1 Box

1 x 7-15/16" x 7-15/16" x 8-3/8" / 2.19 lbs - 20 cm x 20 cm x 21 cm / .995 kg

Light distribution

Diffused

Luminaire weight

1.57 lbs / .71 kg

Warranty

5 year limited warranty,
Upon registration. Click here
to register your purchase.