

Pirce LED suspension 2-wire dimming extended length

SPECIFICATIONS

1254W18AEXT



Design By

Giuseppe Maurizio Scutellà

Collection

Design



Specifications

Delivered lumens	2273lm
Light output ratio	81.18lm/W
Power consumption	28W
Led type	24W C.O.B.*
CCT (Correlated Color Temperature)	2700K
CRI (Color Rendering Index)	>90
Life expectancy	50000Hrs
Control type	Dimmable 2-Wire**
Input Voltage	120-277V
Driver	HATCH - 1 x XTC32-0700P-UNV-I

Colors & Finishes

White

Materials

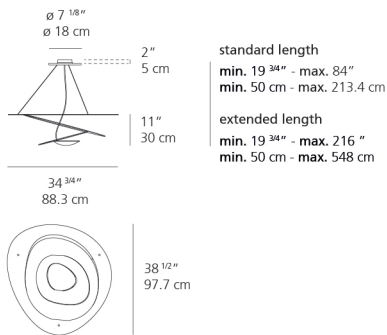
- Body in painted aluminum

**Reverse or forward phase (120v only)

Features & Accessories

- Fluttering spirals, which fall gently downwards, create magical effects of form and light
- Extended cable length

Dimensions



Packaging

1 Box

1 x 40-5/8" x 37-7/8" x 16-7/16" / 32.85 lbs - 103 cm x 96 cm x 41.5 cm / 14.9 kg

Light distribution

Indirect

Luminaire weight

21.38 lbs / 9.7 kg

Warranty

5 year limited warranty,
Upon registration. [Click here](#)
to register your purchase.