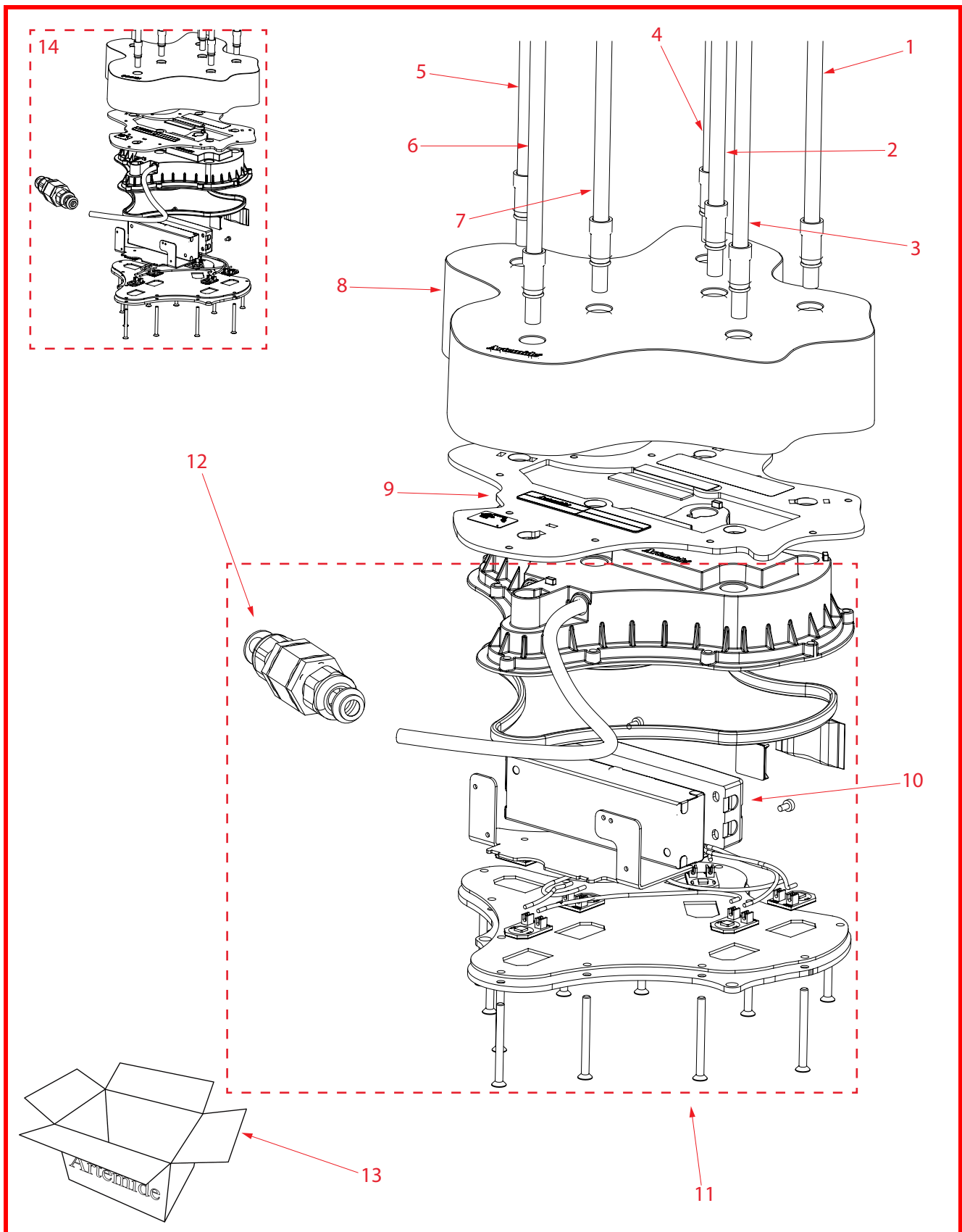


REEDS IP67

design : Klaus Begasse - 2013

codici : T087400 - T087408

Artemide®



Disegno n°: T087400 - T087408

Revisione: Novembre 2014

Artemide S.p.A.

Via Bergamo, 18

20010 Pregnana M.se (MI) - Italy

tel.02/93518.1 - Fax 02/93590254

cod. foglio ricambi Y503002881

REEDS IP67

design : Klaus Begasse - 2013
codici : T087400 - T087408

Artemide®

Pos.	Codice-Code- Art.nr.-Code- Codigo	Note - Notes - Anmerkungen - Notes - Notas	Q.tà-Q.ty- Menge- Q.té-Cant.
1	WAP4175		1
2	WAP4181		1
3	WAP4176		1
4	WAP4177		1
5	WAP4178		1
6	WAP4179		1
7	WAP4180		1
8	Y201002080		1
9	Y102009179		1
10	X206000637		1
11	R304428	T087400 ONLY	1
	R304429	T087408 ONLY	1
12	R304430		1
13	Y508000986		1
14	R304432	T087400 ONLY	1
	R304433	T087408 ONLY	1
15			
16			
17			

Disegno n°: T087400 - T087408

Revisione: Novembre 2014

Artemide S.p.A.

Via Bergamo, 18
20010 Pregnana M.se (MI) - Italy
tel.02/93518.1 - Fax 02/93590254