

Talo 90 LED suspension dimmable 2-wire silver

SPECIFICATIONS

1922128A



Design By

Neil Poulton

Collection

Design



Specifications

Delivered lumens	3341lm
Light output ratio	85.67lm/W
Power consumption	39W
Led type	37W Array*
CCT (Correlated Color Temperature)	3000K
CRI (Color Rendering Index)	>80
Life expectancy	50000Hrs
Control type	Dimmable 2-Wire (Tu-wire)
Input Voltage	120V
Driver	ADVANCE - 1 x XR054C150V054RNT1

Colors & Finishes

Silver

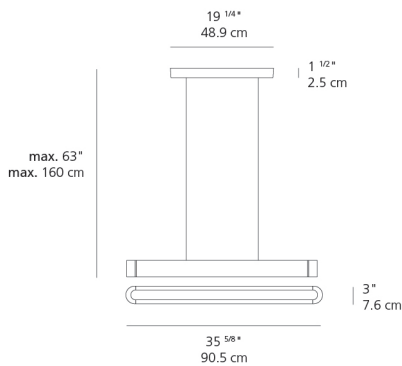
Materials

- Body in painted aluminum
- Lower diffuser in opal polycarbonate
- End pieces in die-cast aluminum

Features & Accessories

- Suspension cables are also feed cables
- Dimmer White Tu-Wire (W001-00352)

Dimensions



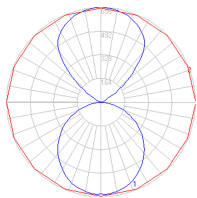
Packaging

1 Box

1 x 40-1/4" x 7-3/16" x 5-5/8" / 7.94 lbs - 102 cm x 18 cm x 14 cm / 3.6 kg

Light distribution

Direct/Indirect



Red = Max Cd. Through Vertical plane

Blue = Max Cd. Through Horizontal plane

Luminaire weight

6.17 lbs / 2.8 kg

Warranty

5 year limited warranty,
Upon registration. Click here
to register your purchase.